



# TECHNICAL SPECIFICATION SHEET

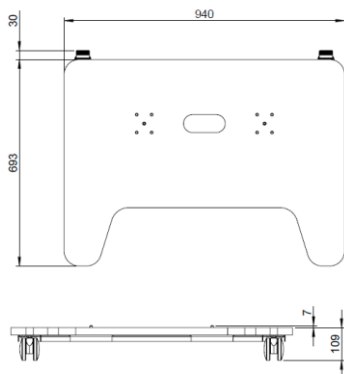
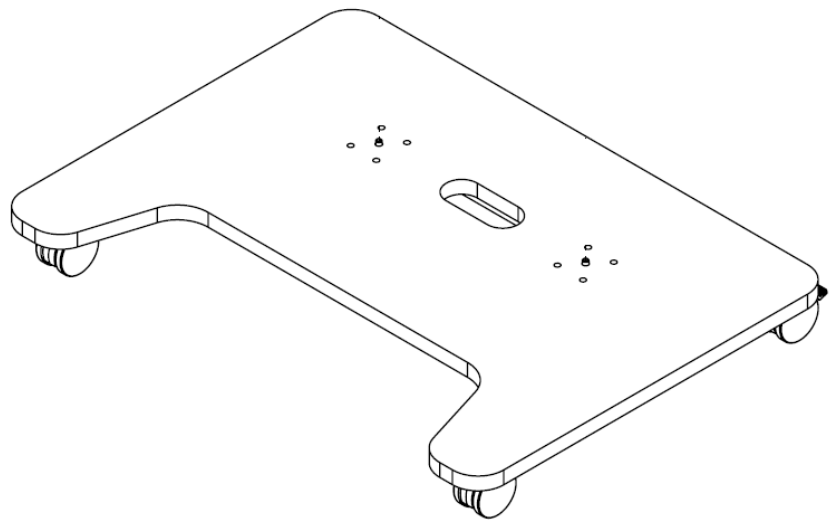
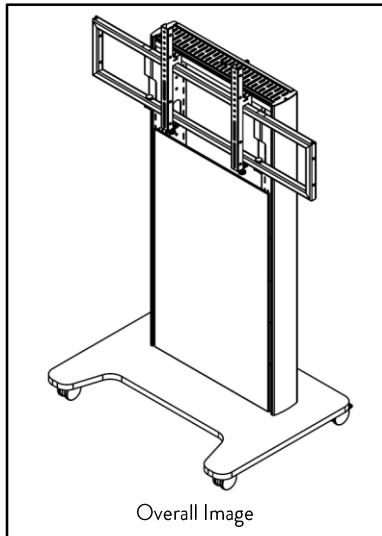
**PRODUCT NAME:** AV/VC One Base

**PRODUCT CODE:** AVS/021/002

Doc Rev 1.

Product Rev #A

24.05.2016. CF



\*Note that dimensions provided are measured in mm

## KEY FEATURES

- Lockable castors
- Cut out in base designed to allow the user easy access to screen when used in an interactive session
- Location pins to allow easy install of column
- Cable management hole provided

### Product Classification

AV Products

### Max load

Single: 60 kg (132 lbs)

Dual: 120 kg (265 lbs)

### Max Screen Size

Single: 55" > 80"

Dual: 55" > 65" (per screen)

### Recycled content

TBC

### Total product recyclable

TBC

## LOGISTICAL

---

Box contains	TBC
Product net weight:	TBC
Box dims (HxWxD)	TBC
Box gross weight	TBC
Carton quantity	TBC
Master dims (HxWxD)	TBC
Master weight	TBC
Country of origin	Czech Republic
Country of configuration	UK

## ORDERING INFORMATION

---

<b><u>Product Description</u></b>	<b><u>Product code</u></b>	<b><u>Colour</u></b>
AV/VC One Column Base	AVS/021/002	:/W White or :/B Black

## WARRANTY

---

<b>Warranty Term</b>	Limited lifetime
----------------------	------------------

## COMPLIANCE & SAFETY CERTIFICATION

---

Whilst no mandatory standards apply to the AV/VC One accessory product sector, this product is tested to CBS's own standard which is based on UL 1678, (Tall display stands in public spaces, excluding hospitals, schools or similar environments where children, people with diminished capacity or disabilities are likely to move

<b>Conformance certification</b>	N/A
<b>Test authority</b>	CBS
<b>Safety certification</b>	N/A

## ENVIRONMENTAL

---

<b>Material type</b>	<b>Material type Weight</b>	<b>% PIR of total weight</b>	<b>% PCR of total weight</b>	<b>% of total product recyclable</b>
----------------------	---------------------------------	----------------------------------	----------------------------------	--

TBC

## CLEANING, STORAGE & MAINTENANCE

---

<b>Routine servicing</b>	Periodic inspection
<b>Service components</b>	Available to order
<b>Cleaning &amp; Maintenance</b>	Damp cloth, no abrasives, no solvents to be used on the cosmetic surfaces
<b>Handling &amp; Storage</b>	Do not drop or expose to moisture

---

Colebrook Bosson Saunders (Products) Ltd accept no liability for the accuracy of the information contained herein and retain the right to modify the specifications or data contained herein without prior notification.