



TECHNICAL SPECIFICATION SHEET

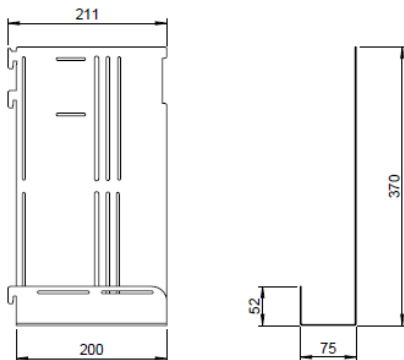
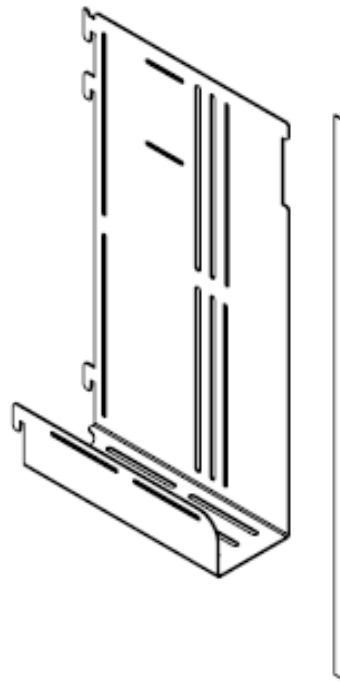
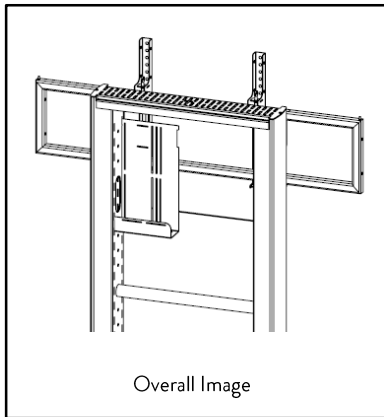
PRODUCT NAME: AV/VC One Codec Mount

PRODUCT CODE: AVS/021/COD1

Doc Rev 1.

Product Rev #A

24.05.2016. CF



*Note that dimensions provided are measured in mm

KEY FEATURES

- Permits mounting of codec within AV/VC One column structure
- Easy hook on mounting
- Codec mount is compatible with a range of VC codecs
- Perforated to avoid obstruction to codec ventilation

Product Classification	AV Products
Max load	6 kg (13 lbs)
Recycled content	TBC
Total product recyclable	TBC

LOGISTICAL

Box contains	TBC
Product net weight:	TBC
Box dims (HxWxD)	TBC
Box gross weight	TBC
Carton quantity	TBC
Master dims (HxWxD)	TBC
Master weight	TBC
Country of origin	Czech Republic
Country of configuration	UK

ORDERING INFORMATION

<u>Product Description</u>	<u>Product code</u>	<u>Colour</u>
AV/VC One VC Codec Mount	AVS/021/COD1	:/B Black

WARRANTY

Warranty Term	Limited lifetime
----------------------	------------------

COMPLIANCE & SAFETY CERTIFICATION

Whilst no mandatory standards apply to the AV/VC One accessory product sector, this product is tested to CBS's own standard which is based on UL 1678, (Tall display stands in public spaces, excluding hospitals, schools or similar environments where children, people with diminished capacity or disabilities are likely to move

Conformance certification	N/A
Test authority	CBS
Safety certification	N/A

ENVIRONMENTAL

Material type	Material type	% PIR of	% PCR of	% of total product
---------------	---------------	----------	----------	--------------------

TBC

CLEANING, STORAGE & MAINTENANCE

Routine servicing	Periodic inspection
Service components	Available to order
Cleaning & Maintenance	Damp cloth, no abrasives, no solvents to be used on the cosmetic surfaces
Handling & Storage	Do not drop or expose to moisture

Colebrook Bosson Saunders (Products) Ltd accept no liability for the accuracy of the information contained herein and retain the right to modify the specifications or data contained herein without prior notification.