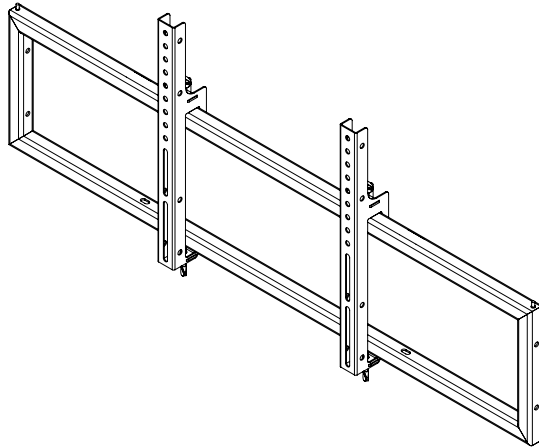





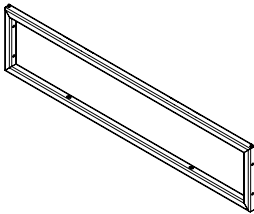
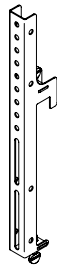
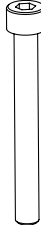
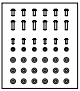


Installation Instructions for AV/VC One Screen Mount Kit

AVS/021/SMK1



 **REFER ALSO TO MAIN
INSTALLATION INSTRUCTIONS
FOR AV/VC ONE** 

 **IMPORTANT NOTE**
For dual screen installations you
will require 2x AVS/021/SMK1

PARTS INCLUDED:		AVS/021/SMK1	
 Screen Frame	 VESA Rail x2	 Screw x2	 VESA fixing kit  Washer x4  Hex Nut x2

WARNING

- Single screen installation: 80" max size. 60kg (132lbs) max weight.
- Dual screen installation: 65" max size. 60kg (132lbs) max weight.
- Use with products heavier than the maximum weights indicated may result in instability causing possible injury.
- Correct installation is essential to safe and reliable operation of the AV/VC One product and falls outside the scope of responsibility of Colebrook Bosson Saunders. Please follow assembly instructions carefully.
- Do not use this product for any purpose other than that for which it was designed.
- Ensure that floor or wall surface is strong enough to support the weight of the fully-loaded AV/VC One and that the floor surface is flat and level.
- Do not install AV/VC One outdoors or in environments where it will be directly exposed to moisture or highwinds.
- Follow the manufacturer's guidance for mounting of monitors, displays and other equipment.
- Please take care to avoid trapping fingers when installing or adjusting the product.

ELECTRICAL SAFETY

- Safe installation of electrical equipment is the responsibility of the installer.
- Colebrook Bosson Saunders recommends that only double-insulated electrical equipment and cables are installed in AV/VC One unit.

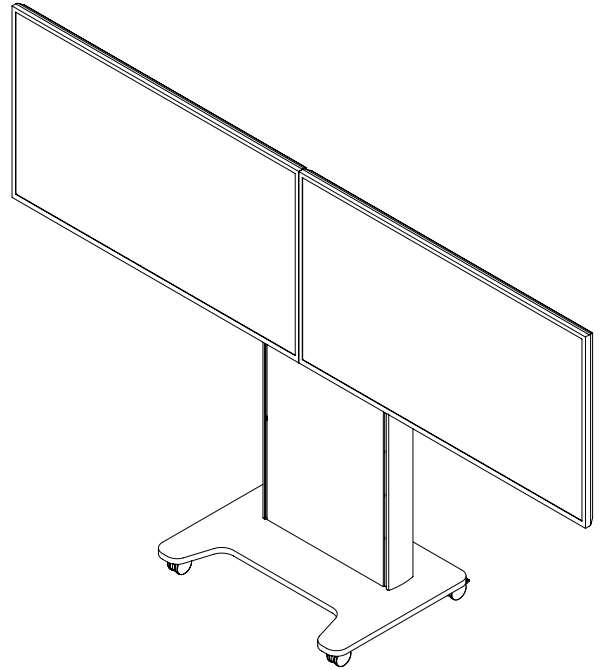
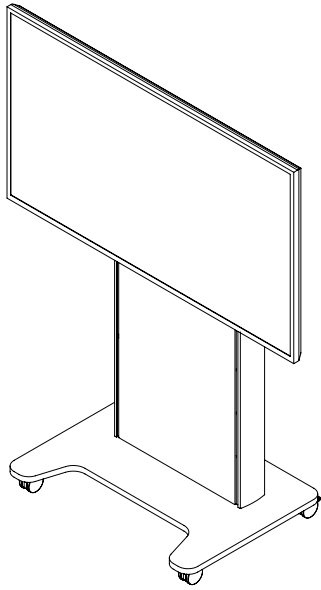
MAINTENANCE AND INSPECTION

- Ensure all screws and fixings are fully tightened and occasionally re-tighten if necessary.
- Clean with a dampcloth. DO NOT use solvents.

DISCLAIMER

As part of Colebrook Bosson Saunders ongoing product improvement programme, the design of products may change without prior notice and details may vary from those illustrated.

Single screen or dual screen configuration?



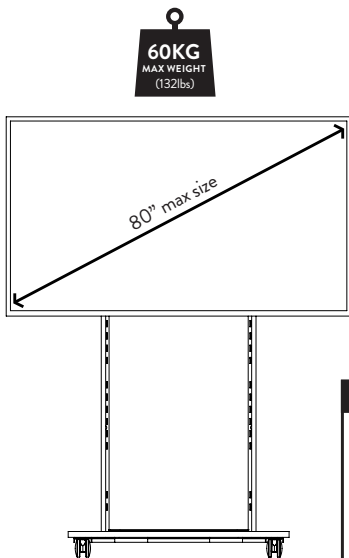
 **FOR SINGLE SCREEN INSTALLATION GO TO SECTION 1**

 **FOR DUAL SCREEN INSTALLATION GO TO SECTION 4**

IMPORTANT

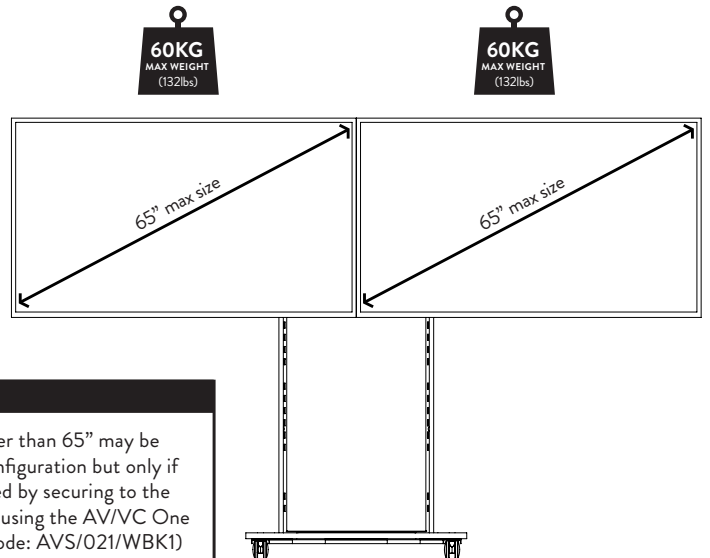
SINGLE SCREEN INSTALLATION


**80" MAX SIZE
60KG (132LBS) MAX WEIGHT**



DUAL SCREEN INSTALLATION

**65" MAX SIZE
60KG (132LBS) MAX WEIGHT**

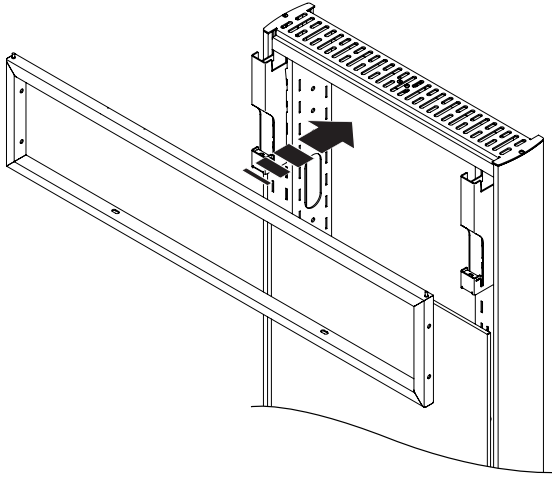


 **IMPORTANT NOTE**
Note that screen sizes larger than 65" may be mounted in dual screen configuration but only if the AV/VC One is stabilised by securing to the wall (or building structure) using the AV/VC One Wall Brace Kit (Product Code: AVS/021/WBK1)
Note that maximum screen weight limits still apply, regardless of screen size.

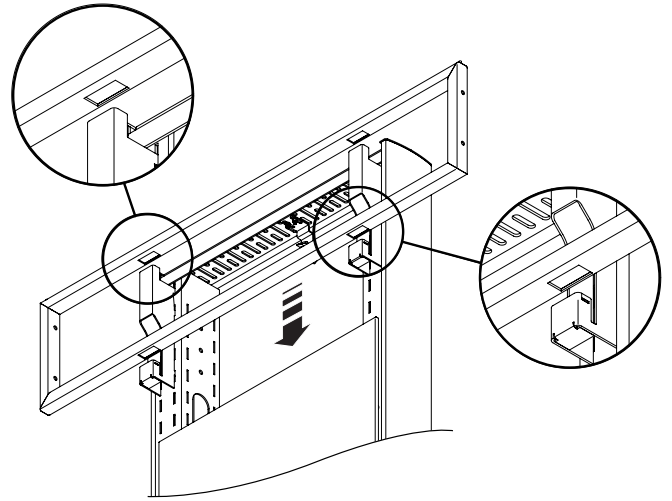
IT IS RECOMMENDED THAT SCREENS ARE REMOVED BEFORE MOVING THE AV/VC ONE UNIT

1.1 INSTALL SCREEN FRAME TO SCREEN SUPPORT BRACKETS

1.1A

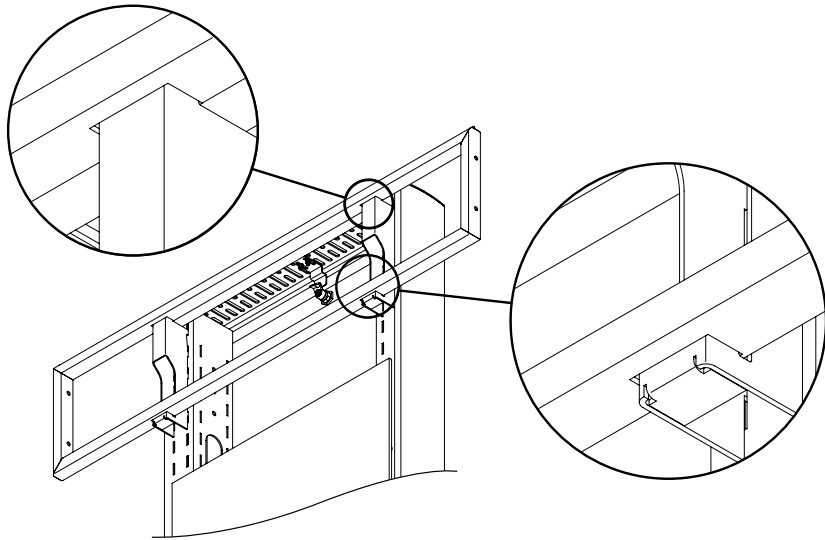


1.1B



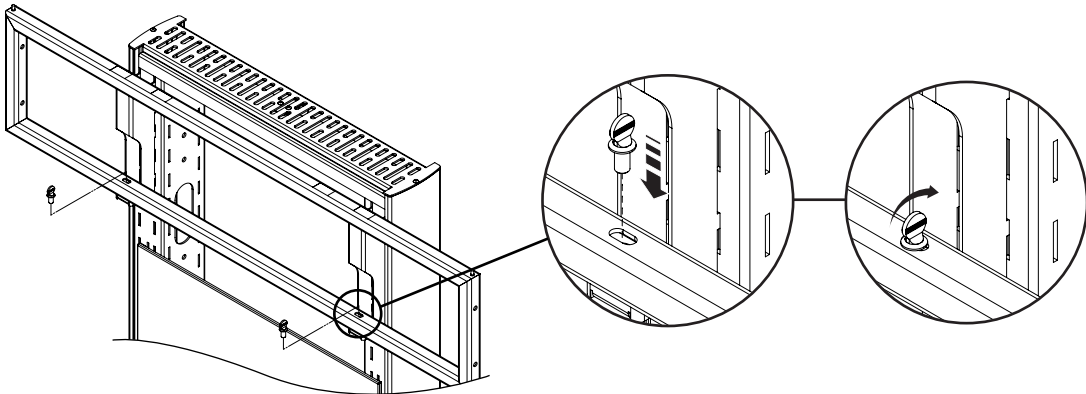
IMPORTANT NOTE
Ensure all brackets slide into rectangular cutouts

1.1C



1.2 FIX SCREEN FRAME TO SCREEN SUPPORT BRACKETS

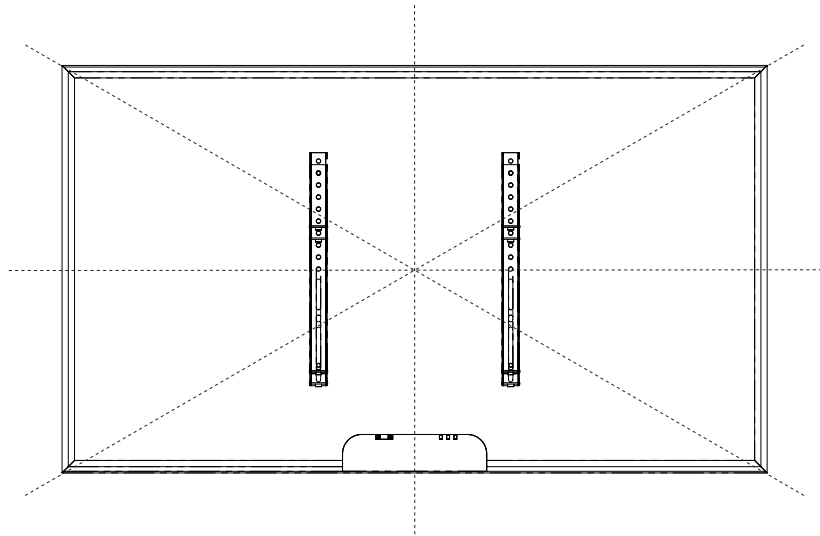
1.2



IMPORTANT NOTE
Ensure both fixing screws are fully tightened

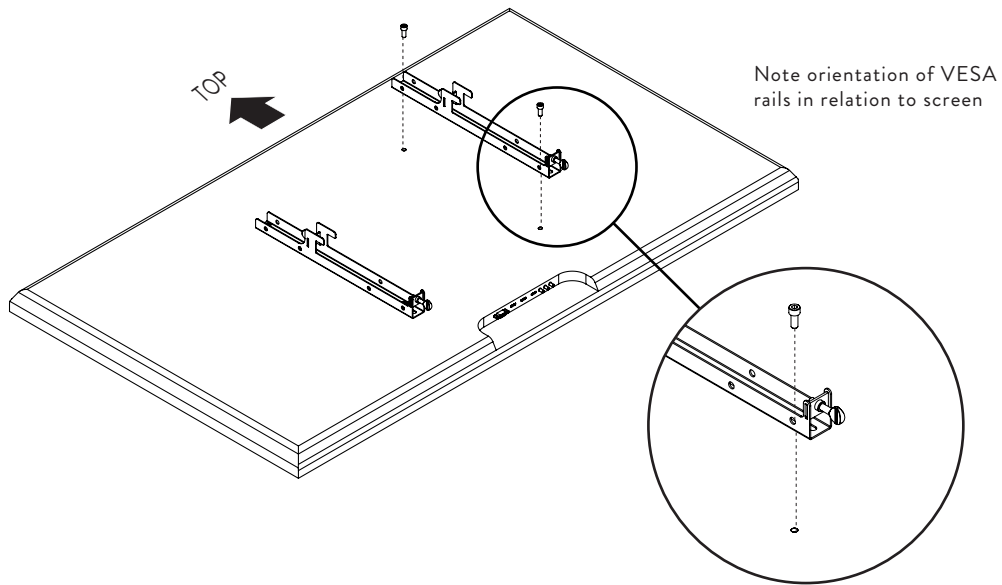
2.1 PLAN MOUNTING POSITION (IF NECESSARY)

Depending on the VESA size of your screen, you may need to consider the mounting position of the VESA rails. This will ensure the correct final screen position



2.2 FIX VESA RAILS TO THE SCREEN

IMPORTANT NOTE
Carefully select fixing screws to suit screen being mounted

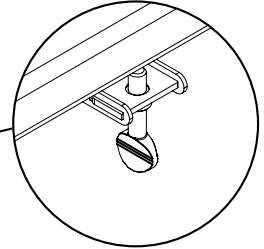
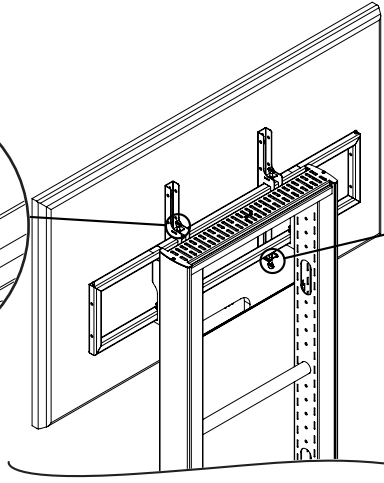
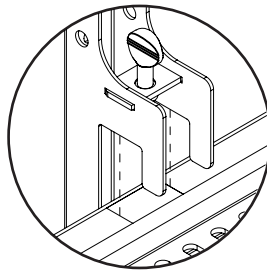
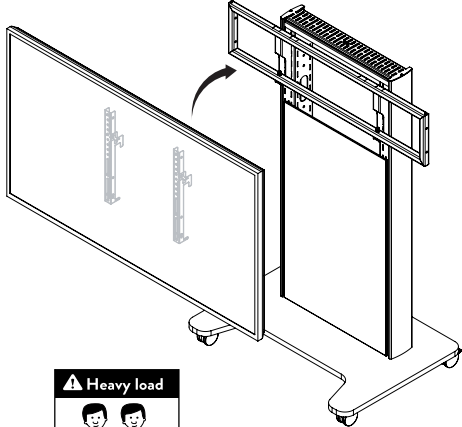


INSTALLING A CAMERA MOUNT?

If your AV/VC One installation requires a Camera Mount please install it at this stage **BEFORE** mounting the screens

YOU WILL NEED:	
AV/VC One - Camera Mount Kit AVS/021/CAM1	
SEE INSTALLATION INSTRUCTIONS SUPPLIED WITH CAMERA MOUNT	

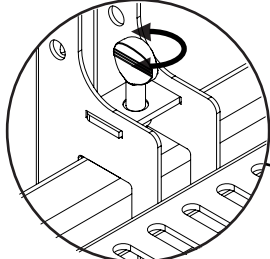
3.1 INSTALL SCREEN ONTO SCREEN FRAME



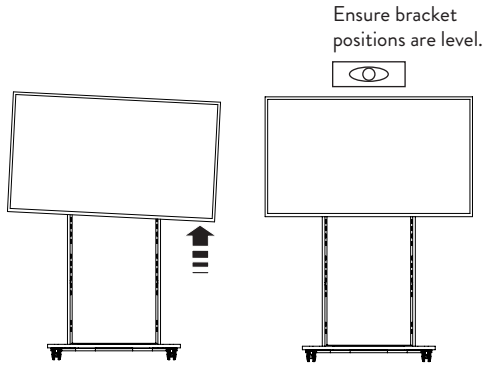
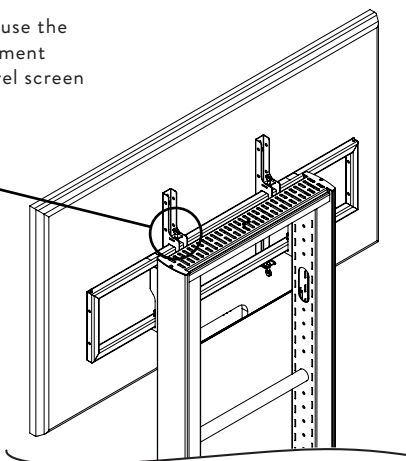
IMPORTANT NOTE
Ensure that the lower screw is withdrawn so it does not obstruct correct seating of mount

Heavy load
2 people may be required to mount screens

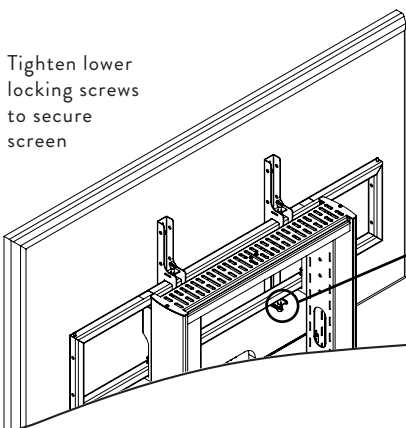
3.2 LEVEL SCREEN IF REQUIRED (OPTIONAL)



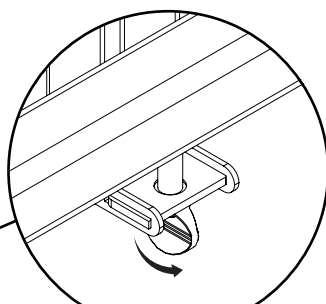
If necessary use the upper adjustment screws to level screen



3.3 SECURE SCREEN TO SCREEN FRAME

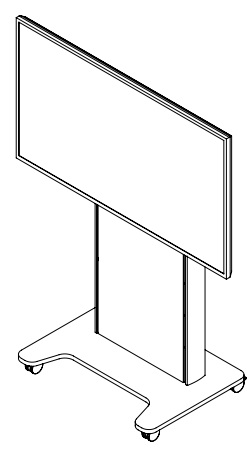


Tighten lower locking screws to secure screen



IMPORTANT NOTE
Ensure both screws are fully tightened

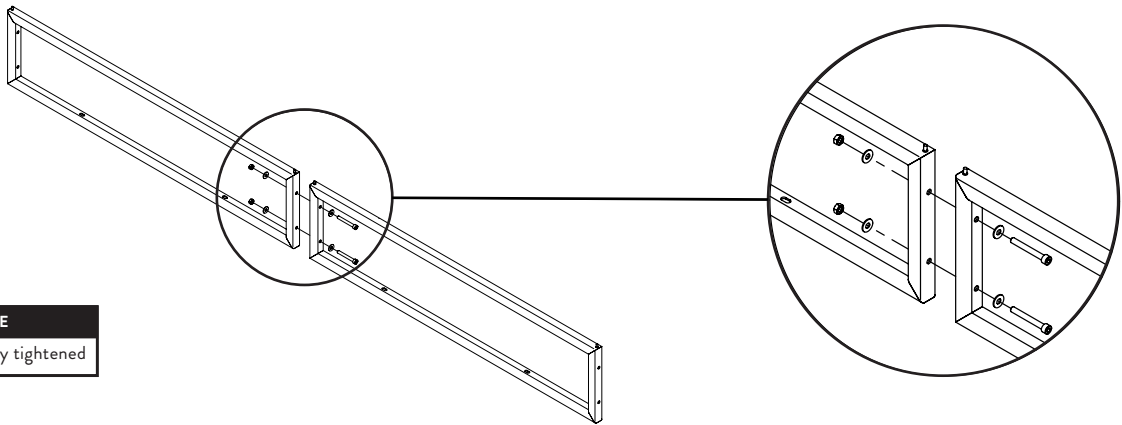
3.4 SCREEN IS NOW INSTALLED



SINGLE SCREEN INSTALLATION IS NOW COMPLETE

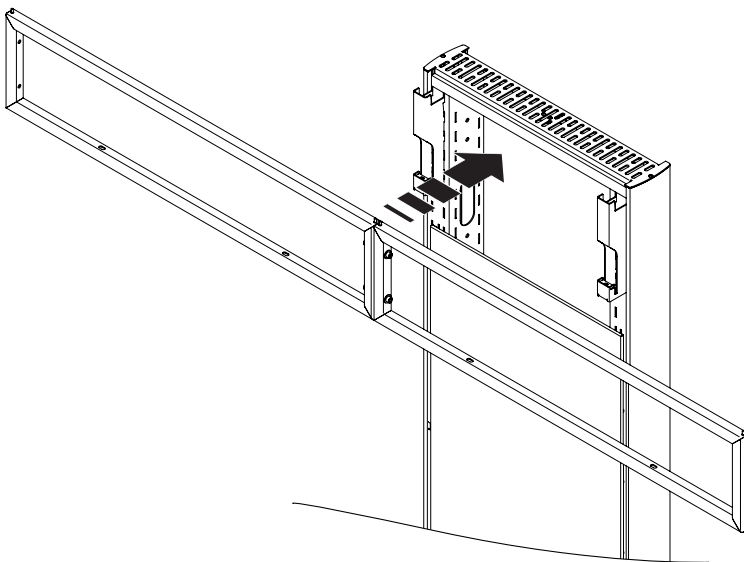
PLEASE CONSIDER LEAVING THESE INSTRUCTIONS WITH THE UNIT IF FURTHER INSTALLATION MAY BE REQUIRED BY OTHERS

4.1 FIX 2X SCREEN FRAMES TOGETHER

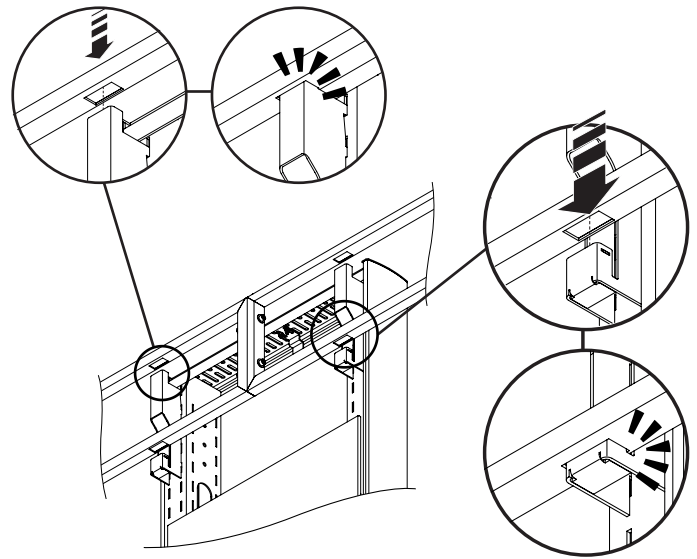


IMPORTANT NOTE
Ensure all fixings are fully tightened

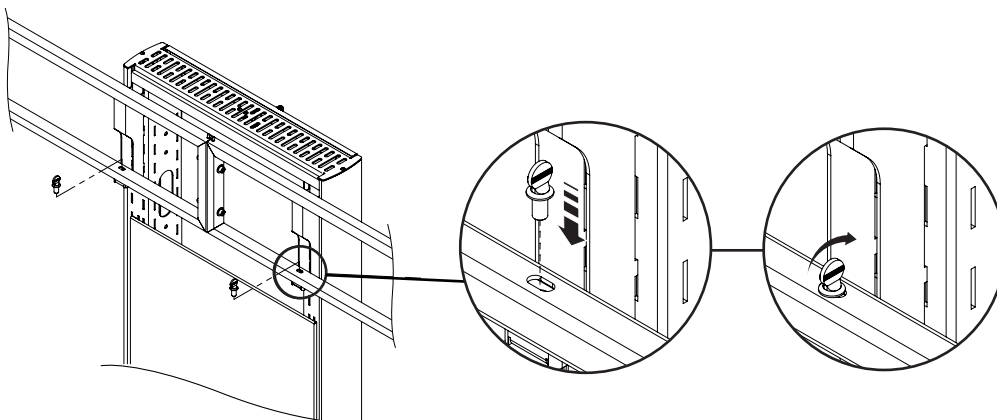
4.2 INSTALL SCREEN FRAMES TO SCREEN SUPPORT BRACKETS



IMPORTANT NOTE
Ensure all brackets slide into rectangular cutouts



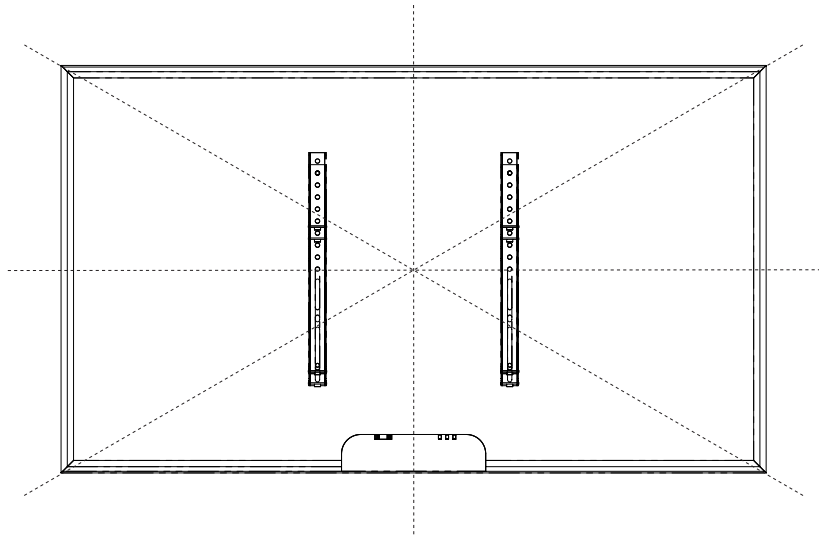
4.3 FIX SCREEN FRAMES TO SCREEN SUPPORT BRACKETS



IMPORTANT NOTE
Ensure both fixing screws are fully tightened

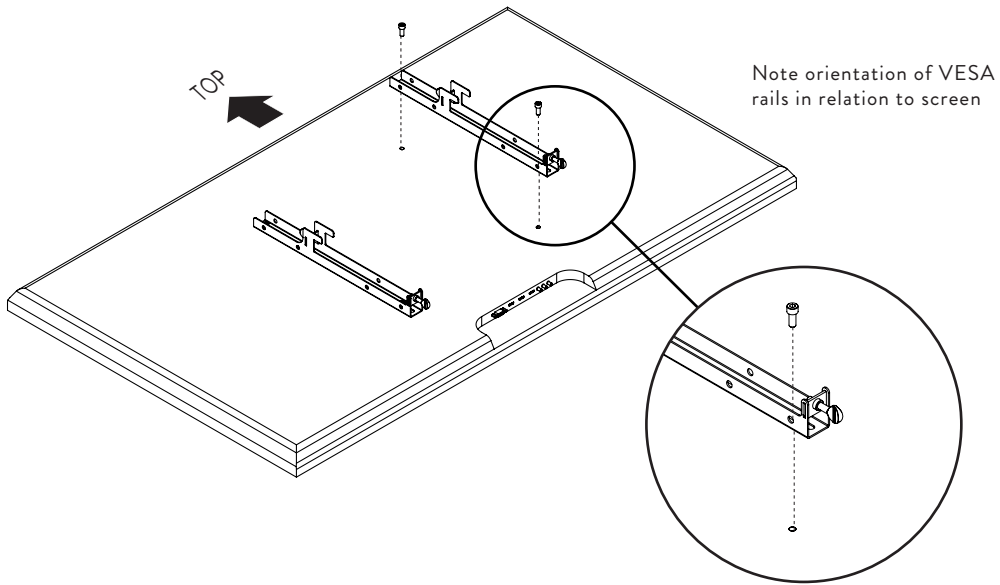
5.1 PLAN MOUNTING POSITION (IF NECESSARY)

Depending on the VESA size of your screen, you may need to consider the mounting position of the VESA rails. This will ensure the correct final screen position.




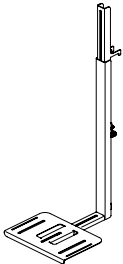
5.2 FIX VESA RAILS TO THE SCREEN

IMPORTANT NOTE
Carefully select fixing screws to suit screen being mounted



INSTALLING A CAMERA MOUNT?

If your AV/VC One installation requires a Camera Mount please install it at this stage **BEFORE** mounting the screens

YOU WILL NEED:	
AV/VC One - Camera Mount Kit AVS/021/CAM1	
<p>SEE INSTALLATION INSTRUCTIONS SUPPLIED WITH CAMERA MOUNT</p> 	

6.1 INSTALL BOTH SCREENS ONTO SCREEN FRAME

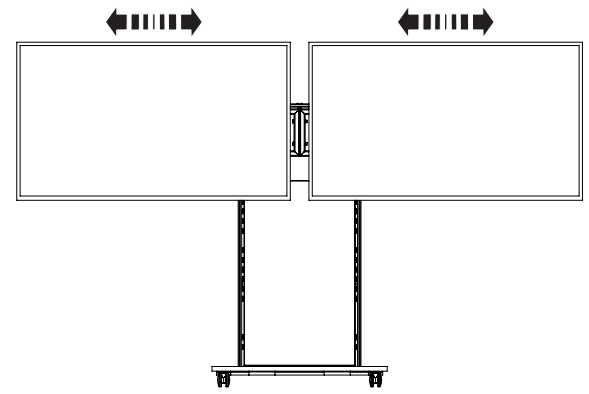
⚠ IMPORTANT NOTE Support stand until both screens are mounted

⚠ HEAVY LOAD 3 OR MORE PEOPLE MAY BE REQUIRED TO MOUNT SCREENS

⚠ IMPORTANT NOTE Ensure that the lower screw is withdrawn so it does not obstruct correct seating of mount

6.2 POSITION SCREENS

Carefully slide screens on frame to desired position



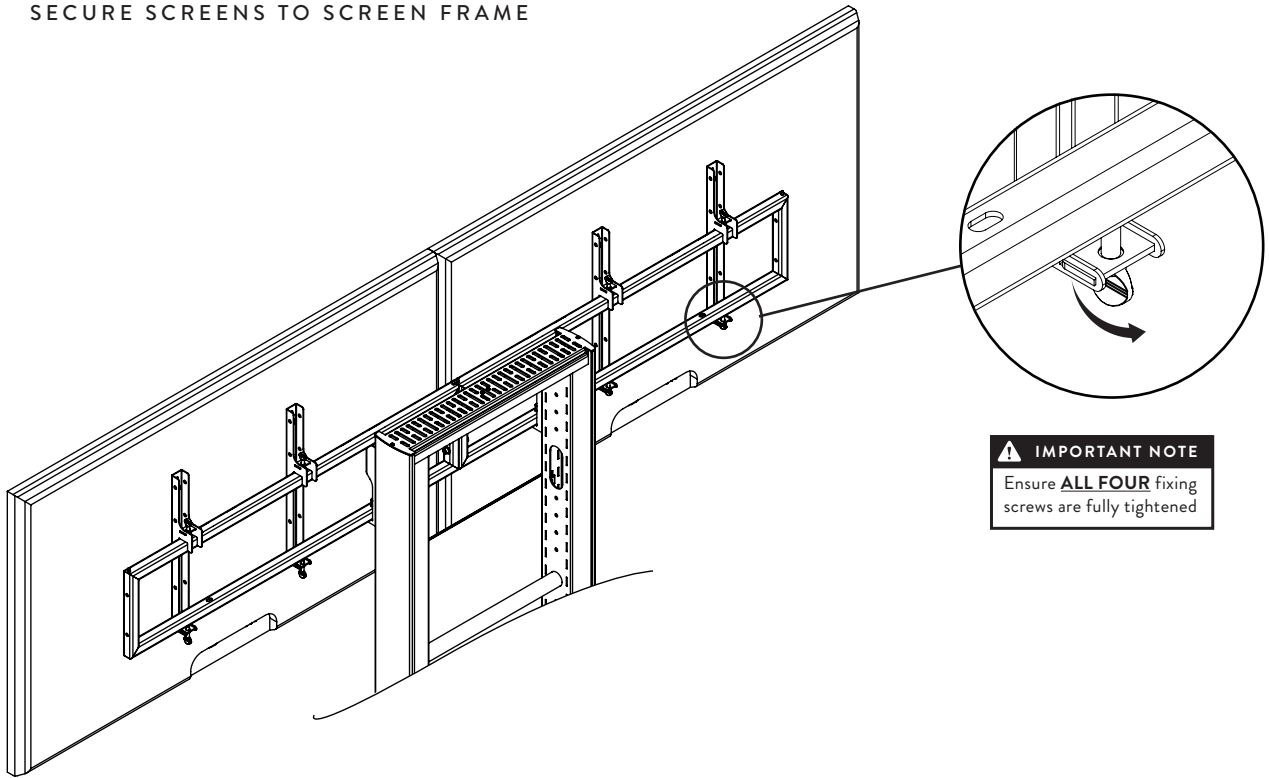
6.3 LEVEL SCREENS IF NECESSARY

If necessary use upper adjustment screws to level screens

Ensure bracket positions are level.

6.4

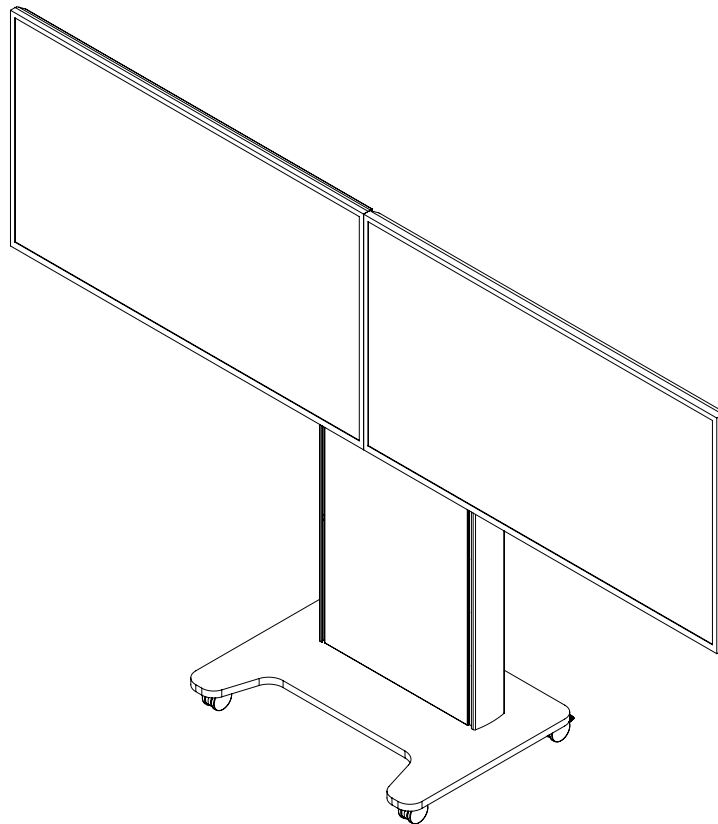
SECURE SCREENS TO SCREEN FRAME



! IMPORTANT NOTE
Ensure **ALL FOUR** fixing screws are fully tightened

6.5

SCREENS ARE NOW INSTALLED



DUAL SCREEN INSTALLATION IS NOW COMPLETE



PLEASE CONSIDER LEAVING THESE INSTRUCTIONS WITH THE UNIT
IF FURTHER INSTALLATION MAY BE REQUIRED BY OTHERS

