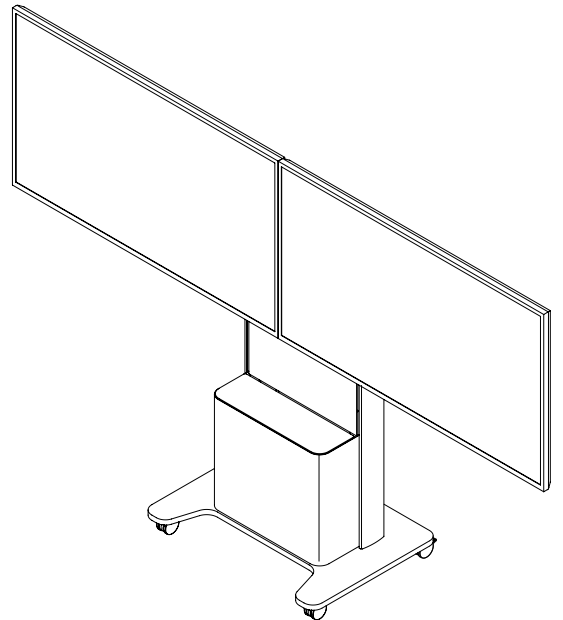
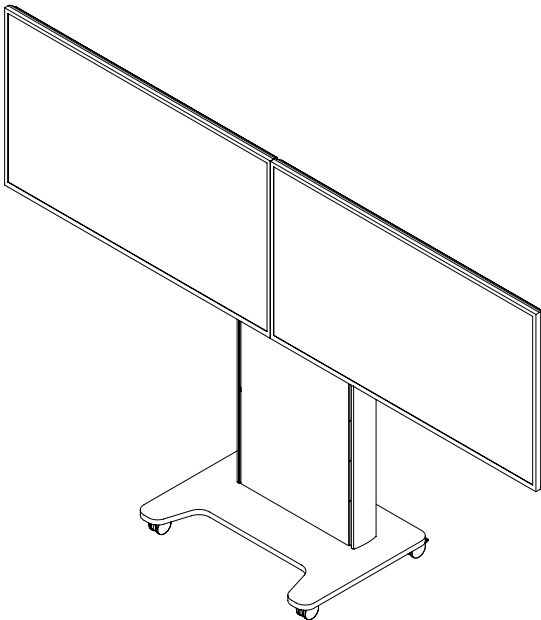
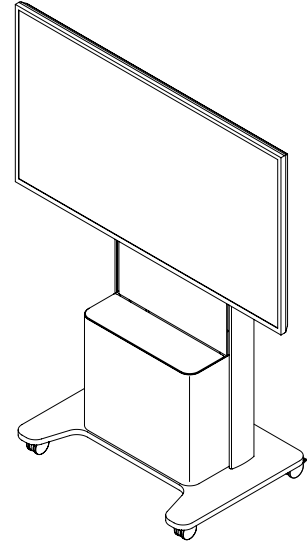
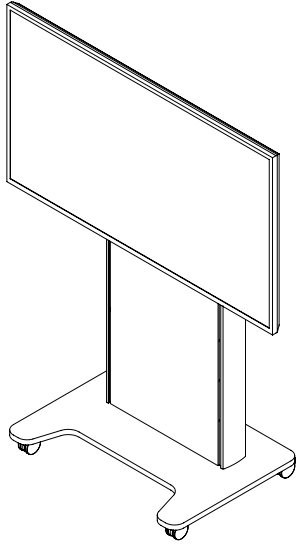




# Installation Instructions for AV/VC One

SINGLE SCREEN AND DUAL SCREEN CONFIGURATIONS

---



---

## OVERVIEW

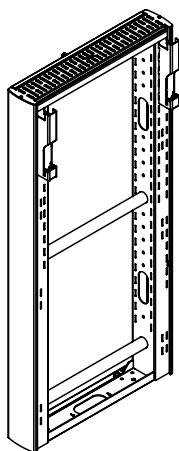
- AV/VC One System Overview
- Important Precautions
- Internal Equipment Space

---

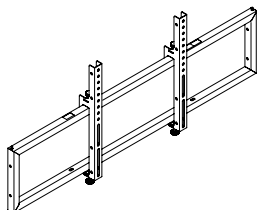
## MAIN INSTALLATION STEPS

- 0 Main Structural Elements
- 1 Assemble Column to Base
- 2 Install Front Panel / Front Box
- 3 Install Screen Support Brackets
- 4 Install Screen Mount and Screen
- 5 Install Additional Accessories
- 6 Cable Management
- 7 Install Back Panel
- 8 Optional Security Clips

## CORE STAND ELEMENTS



AVS/021/001  
AV/VC One - Column (incl. Back Panel)



AVS/021/SMK1  
AV/VC One – Screen Mount Kit  
(2 required for dual screen installations.)



AVS/021/002  
AV/VC One - Base

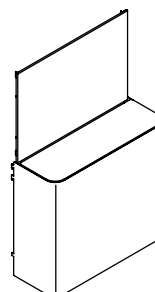
## FRONT PANEL OPTIONS



AVS/021/PAN1  
AV/VC One – Full Front Panel

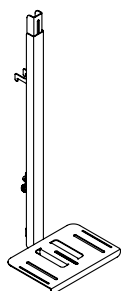
+

OR

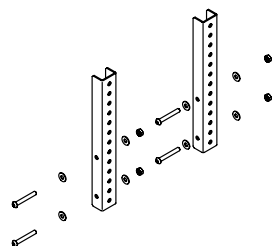


AVS/021/FB1  
AV/VC One – Front Box Kit  
(Incl. Front Panel)

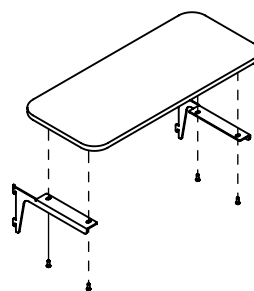
## OPTIONAL ACCESSORIES



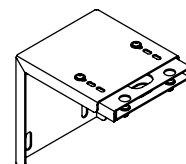
AVS/021/CAM1  
AV/VC One – Camera Mount Kit



AVS/021/EXT1  
AV/VC One – VESA Extension Kit



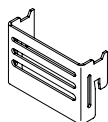
AVS/021/SLF1  
AV/VC One – Shelf Kit



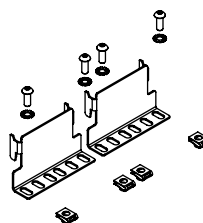
AVS/021/WBK1  
AV/VC One – Wall Brace Kit



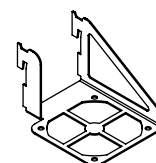
AVS/021/COD1  
AV/VC One – Codec Mount



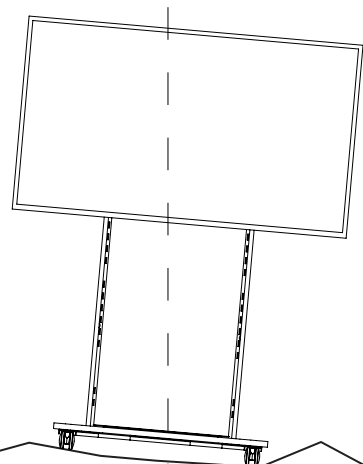
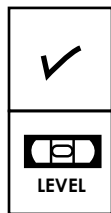
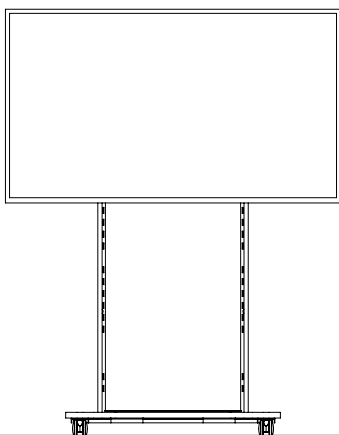
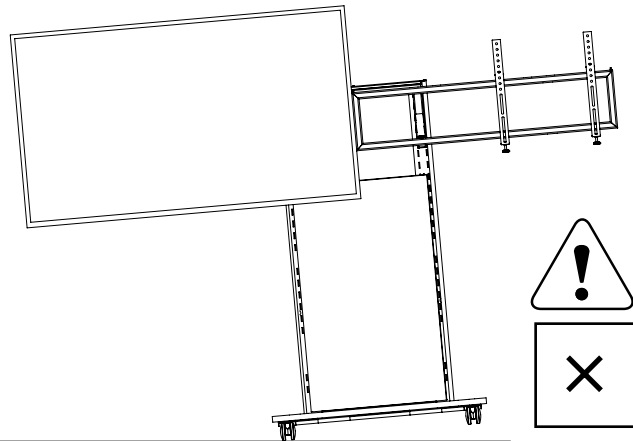
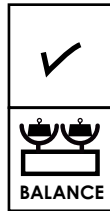
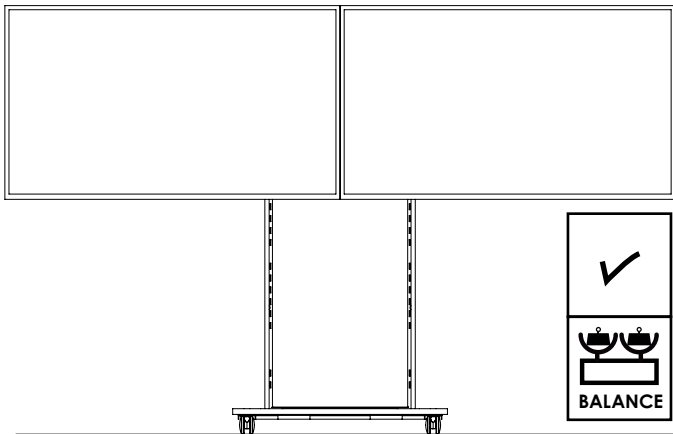
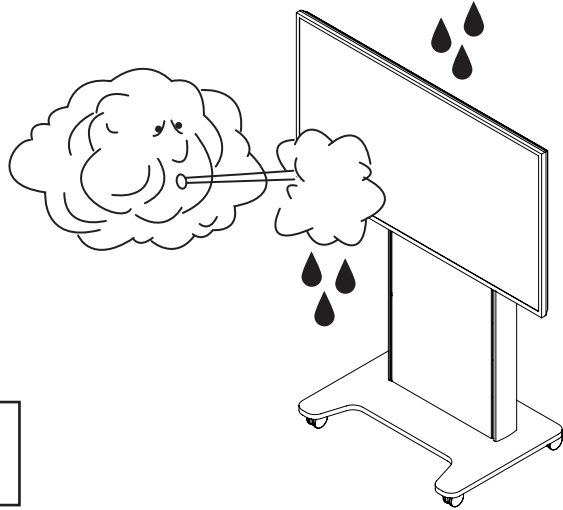
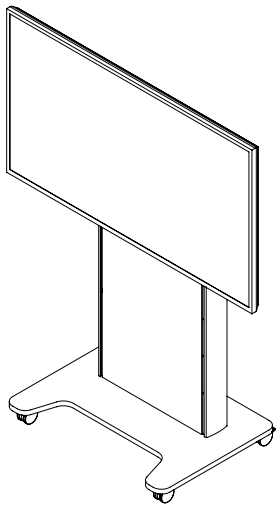
AVS/021/PWR1  
AV/VC One – Powerstrip Mount  
(Details to be confirmed)



AVS/021/RM1  
AV/VC One – Rack Mount Kit



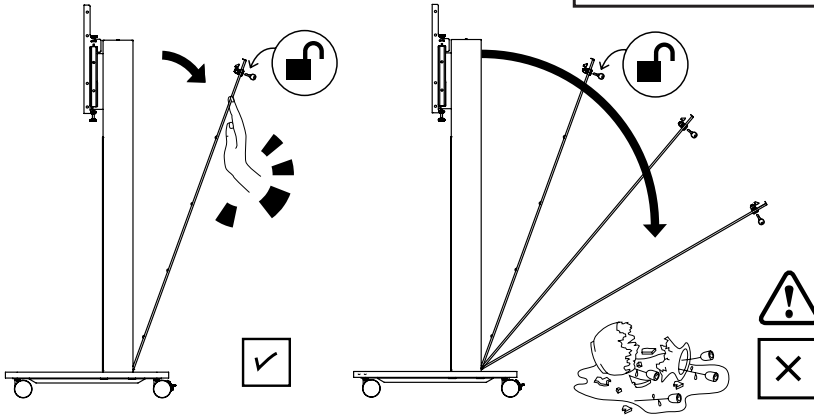
AVS/021/FAN1  
AV/VC One – Fan Mount





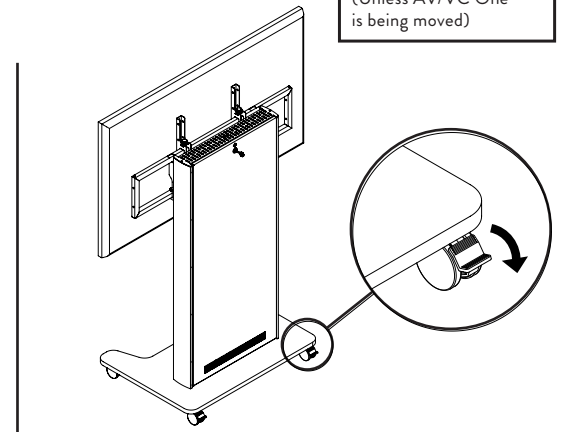
### IMPORTANT NOTE

Remember to support the back panel when unlocking to prevent it falling.

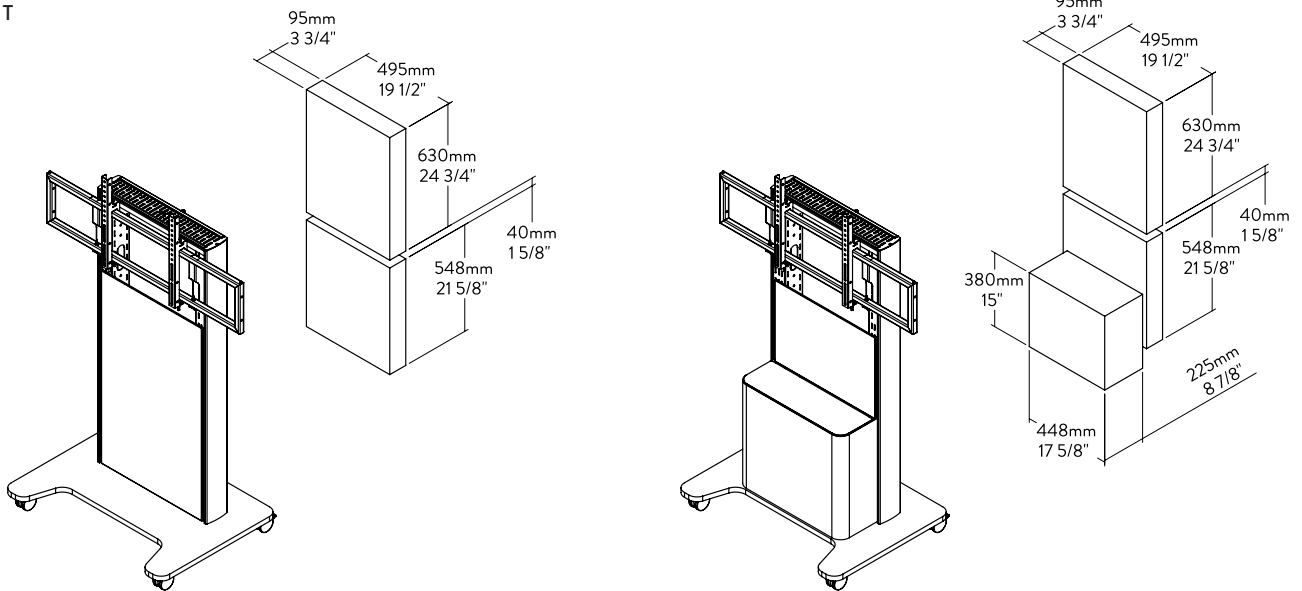


### IMPORTANT NOTE

Apply brakes at all times (Unless AV/VC One is being moved)



## INTERNAL EQUIPMENT SPACE



## IMPORTANT

- Maximum screen size to be mounted:
- Single screen installation: 80" max size. 60kg (132lbs) max weight.
- Dual screen installation: 65" max size. 60kg (132lbs) max weight.
- It is recommended that screens are removed before moving the AV/VC One unit.

## WARNING

- Do not install screens/displays heavier than 60kg/132lb. Total weight of installed equipment must not exceed 120kg/264lb, symmetrically distributed.
- Use with products heavier than the maximum weights indicated may result in instability causing possible injury.
- Correct installation is essential to safe and reliable operation of the AV/VC One product and falls outside the scope of responsibility of Colebrook Bosson Saunders. Please follow assembly instructions carefully.
- Do not use this product for any purpose other than that for which it was designed.
- Ensure that floor or wall surface is strong enough to support the weight of the fully-loaded AV/VC One and that the floor surface is flat and level.
- Do not install AV/VC One outdoors or in environments where it will be directly exposed to moisture or high winds.
- Follow the manufacturer's guidance for mounting of screens, displays and other equipment.
- Please take care to avoid trapping fingers when installing or adjusting the product.

## ELECTRICAL SAFETY

- Safe installation of electrical equipment is the responsibility of the installer.
- Colebrook Bosson Saunders recommends that only double-insulated electrical equipment and cables are installed in AV/VC One unit.

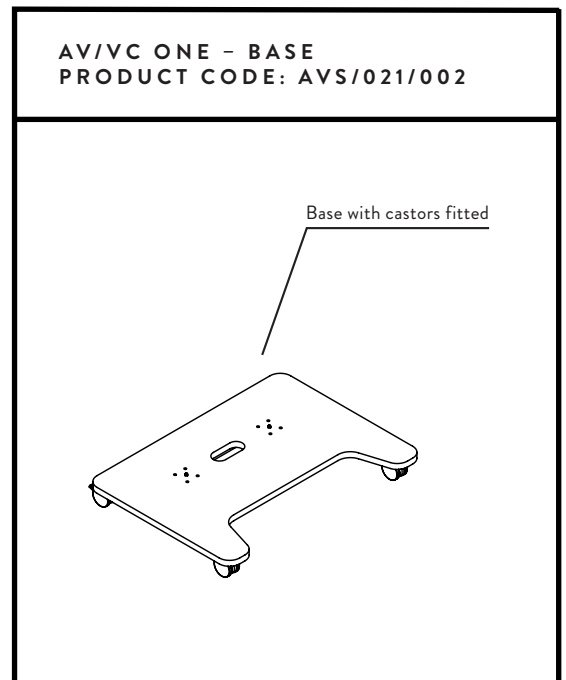
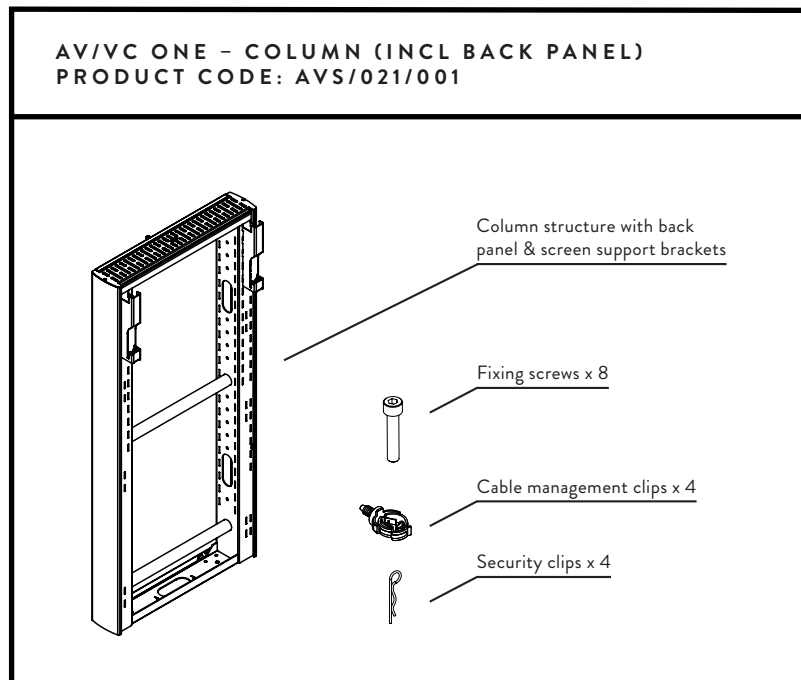
## MAINTENANCE AND INSPECTION

- Ensure all screws and fixings are fully tightened and occasionally re-tighten if necessary.
- Clean with a damp cloth. DO NOT use solvents.

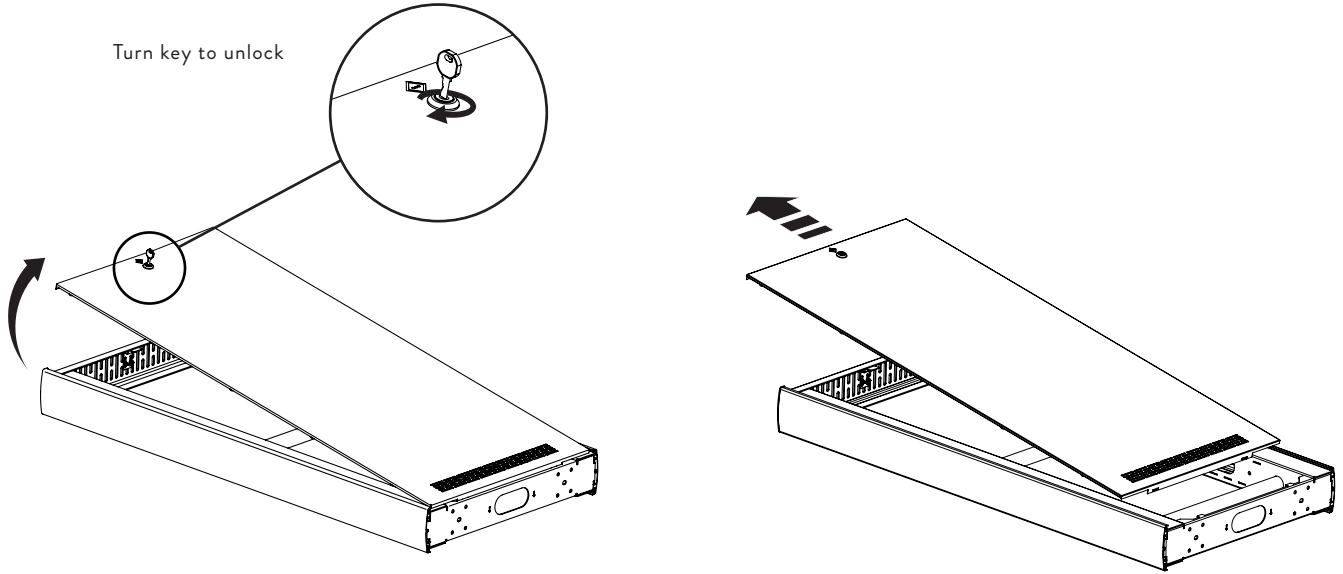
## DISCLAIMER

As part of Colebrook Bosson Saunders ongoing product improvement programme, the design of products may change without prior notice and details may vary from those illustrated.

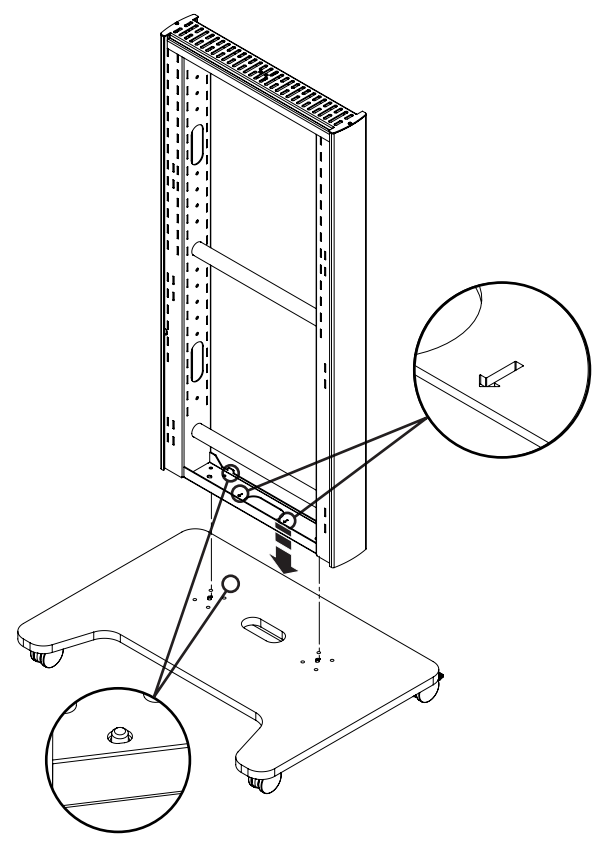
INSTALLATION OF AV/VC ONE REQUIRES THE FOLLOWING MAIN STRUCTURAL ELEMENTS:



1.1 REMOVE BACK PANEL FROM COLUMN

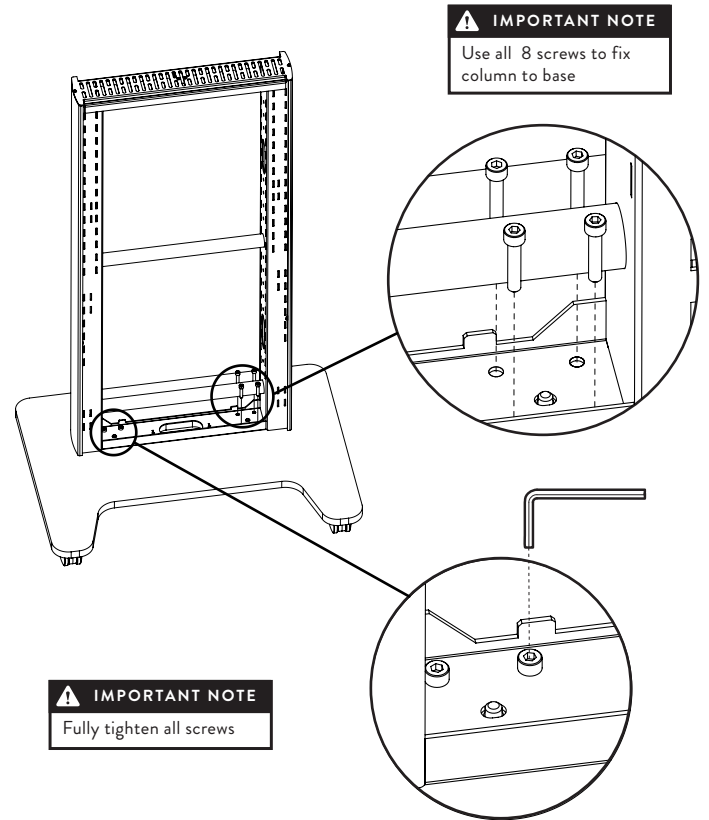


1.2 INSTALL COLUMN TO BASE



**IMPORTANT NOTE**  
Locate column onto base pins.  
Note direction of arrows

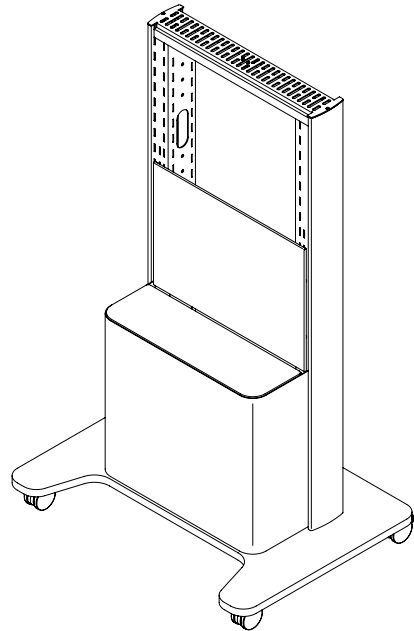
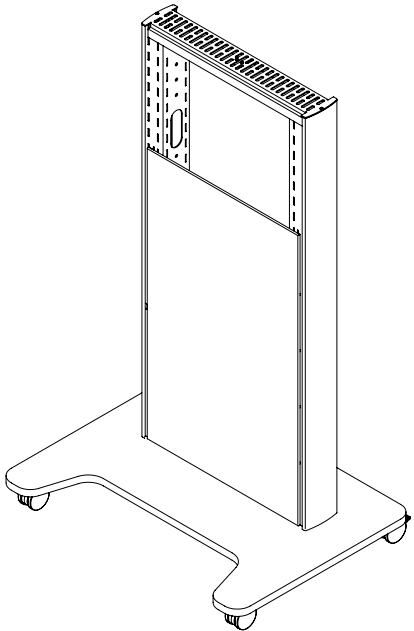
1.3 FIX COLUMN TO BASE



**IMPORTANT NOTE**  
Use all 8 screws to fix column to base

**IMPORTANT NOTE**  
Fully tighten all screws


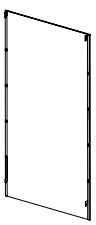
2.1 THE REQUIRED FRONT PANEL / FRONT BOX OPTION SHOULD BE INSTALLED AT THIS STAGE



FOR AV/VC ONE WITH FULL HEIGHT FRONT PANEL YOU WILL NEED:

AV/VC One - Full Front Panel  
AVS/021/PAN1

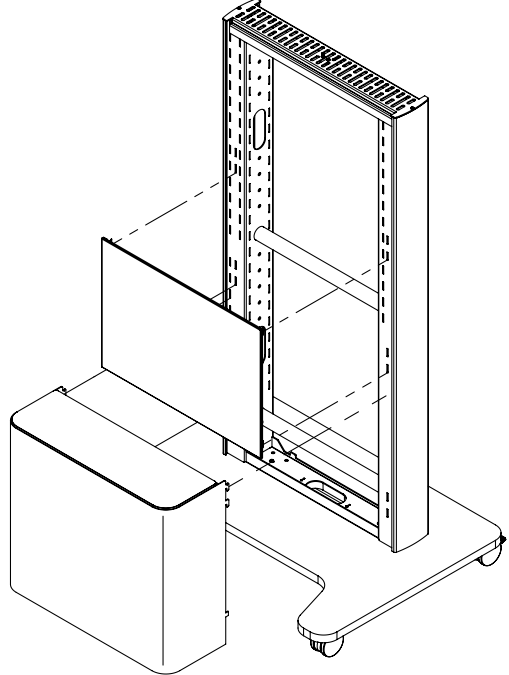
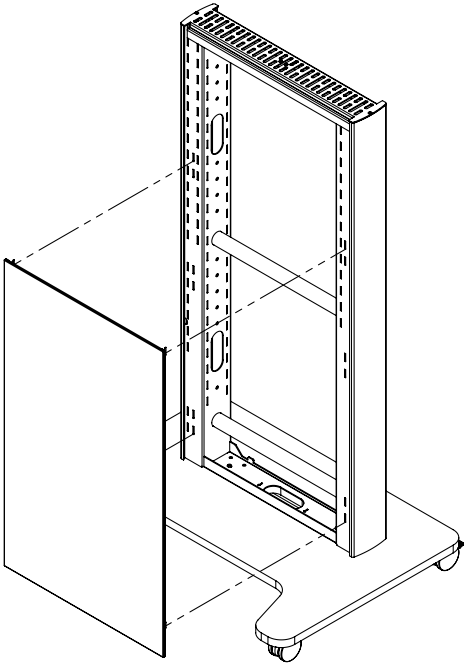

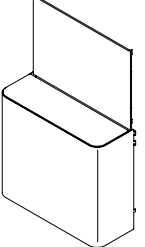
SEE INSTALLATION INSTRUCTIONS SUPPLIED WITH FRONT PANEL



FOR AV/VC ONE WITH MEDIA FRONT BOX YOU WILL NEED:

AV/VC One - Front Box Kit (Incl Front Panel)  
AVS/021/FB1

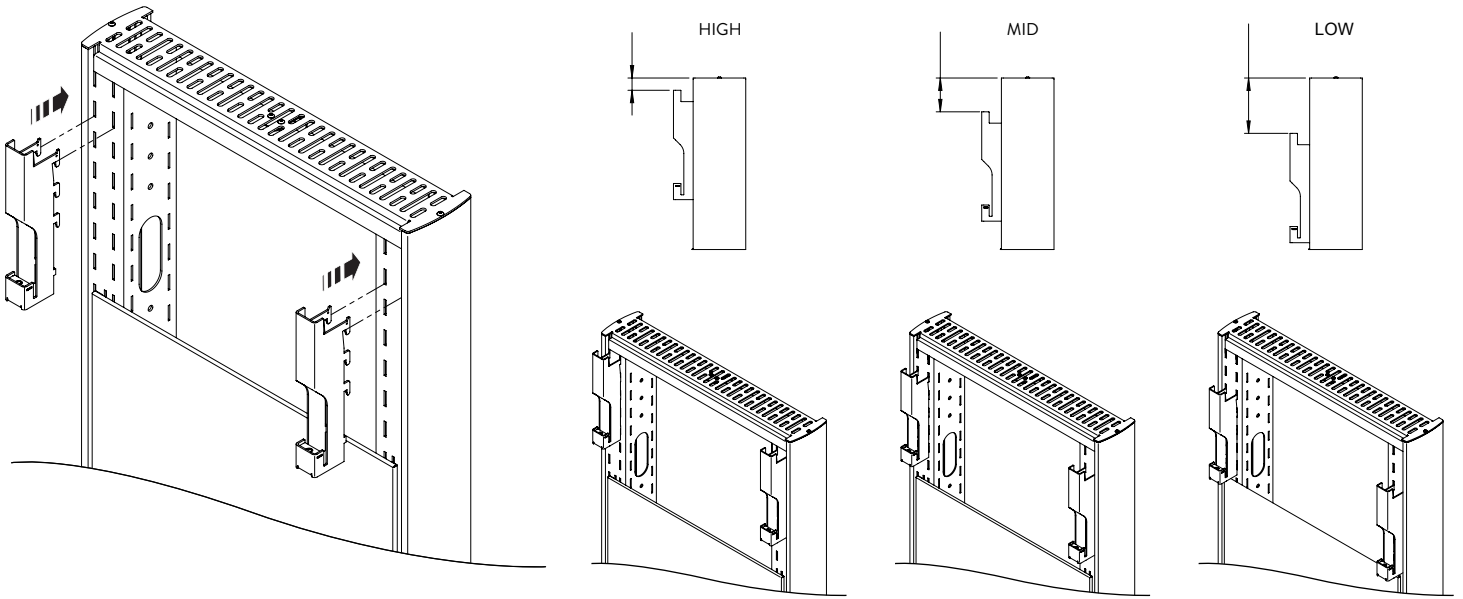
SEE INSTALLATION INSTRUCTIONS SUPPLIED WITH MEDIA FRONT BOX





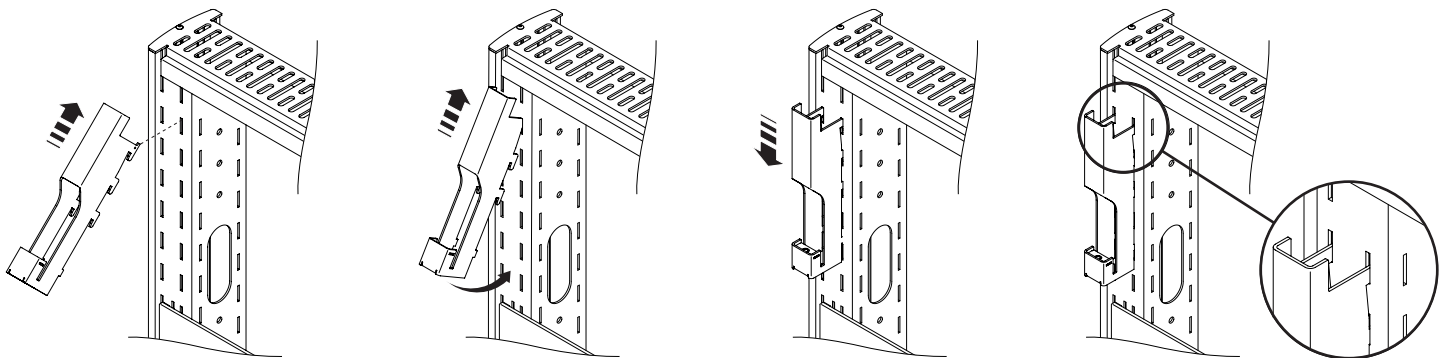
## 3.1 SELECT MOUNTING HEIGHT

Choose fixing position to suit preferred mounting height of screen



## 3.2 INSTALL BRACKET

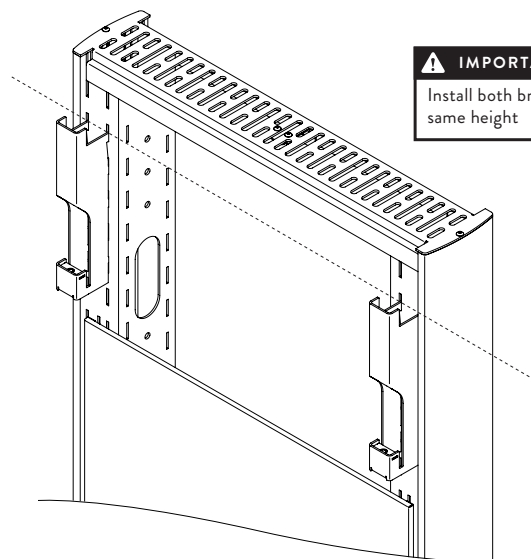
**IMPORTANT NOTE**  
Ensure hooks are fully engaged



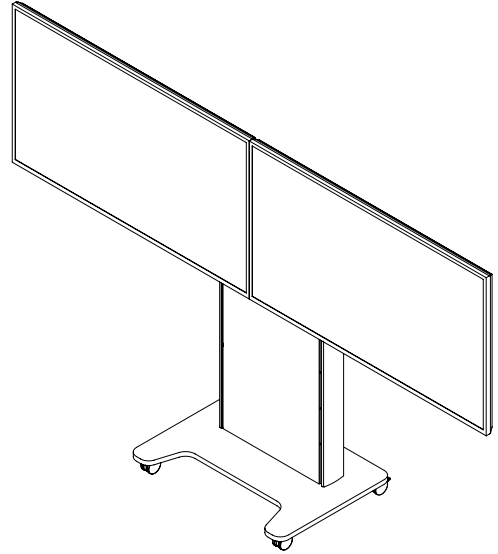
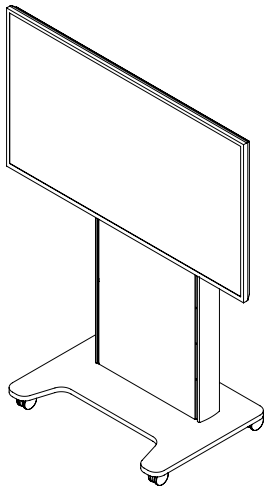
## 3.3 REPEAT FOR 2ND BRACKET

**IMPORTANT NOTE**  
Install both brackets at same height

Ensure bracket positions are level.



4.1 SELECT SINGLE OR DUAL SCREEN CONFIGURATION



FOR AV/VC ONE IN SINGLE SCREEN CONFIGURATION YOU WILL NEED:

AV/VC One - Screen Mount Kit  
AVS/021/SMK1

FOR AV/VC ONE IN DUAL SCREEN CONFIGURATION YOU WILL NEED:

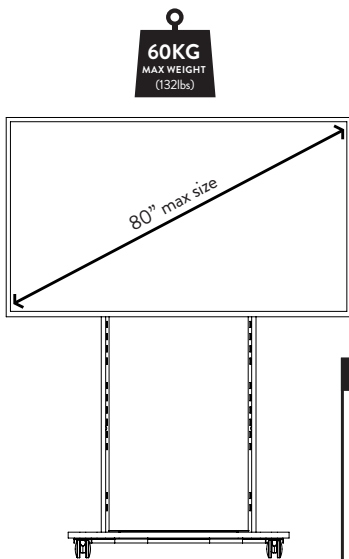
AV/VC One - Screen Mount Kit  
AVS/021/SMK1 **x2**

**SEE INSTALLATION INSTRUCTIONS SUPPLIED WITH SCREEN MOUNT KIT**

**IMPORTANT**

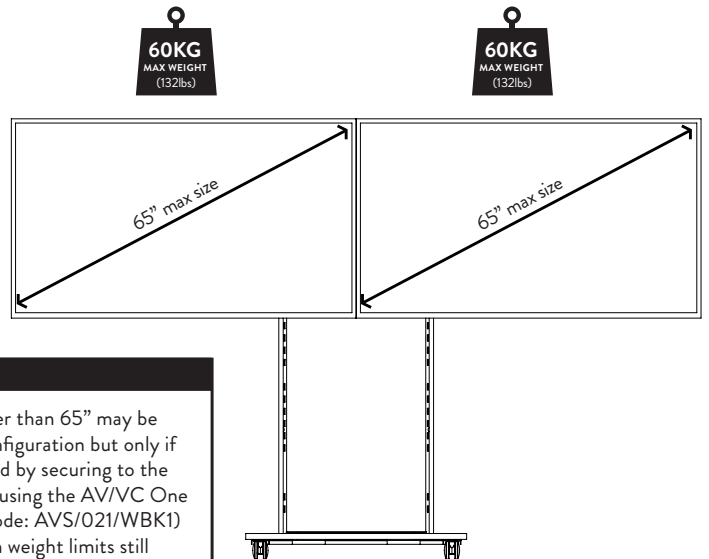
**SINGLE SCREEN INSTALLATION**

**80" MAX SIZE**  
**60KG (132LBS) MAX WEIGHT**



**DUAL SCREEN INSTALLATION**

**65" MAX SIZE**  
**60KG (132LBS) MAX WEIGHT**



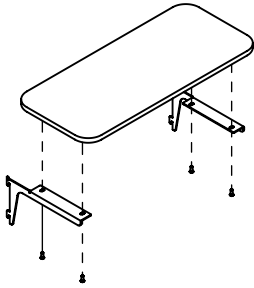
**IMPORTANT NOTE**

Note that screen sizes larger than 65" may be mounted in dual screen configuration but only if the AV/VC One is stabilised by securing to the wall (or building structure) using the AV/VC One Wall Brace Kit (Product Code: AVS/021/WBK1) Note that maximum screen weight limits still apply, regardless of screen size.

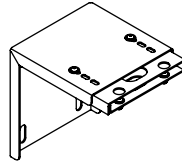
**IT IS RECOMMENDED THAT SCREENS ARE REMOVED BEFORE MOVING THE AV/VC ONE UNIT**

IF YOUR INSTALLATION REQUIRES ANY OF THE AV/VC ONE ACCESSORIES  
PLEASE INSTALL THEM AT THIS STAGE

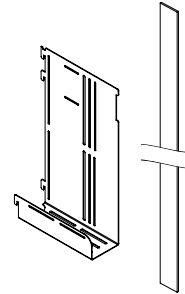
OPTIONAL ACCESSORIES



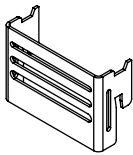
AVS/021/SLF1  
AV/VC One – Shelf Kit



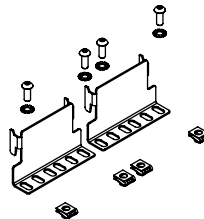
AVS/021/WBK1  
AV/VC One – Wall Brace Kit



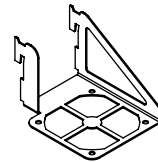
AVS/021/COD1  
AV/VC One – Codec Mount




AVS/021/PWR1  
AV/VC One – Powerstrip Mount  
(Details to be confirmed)



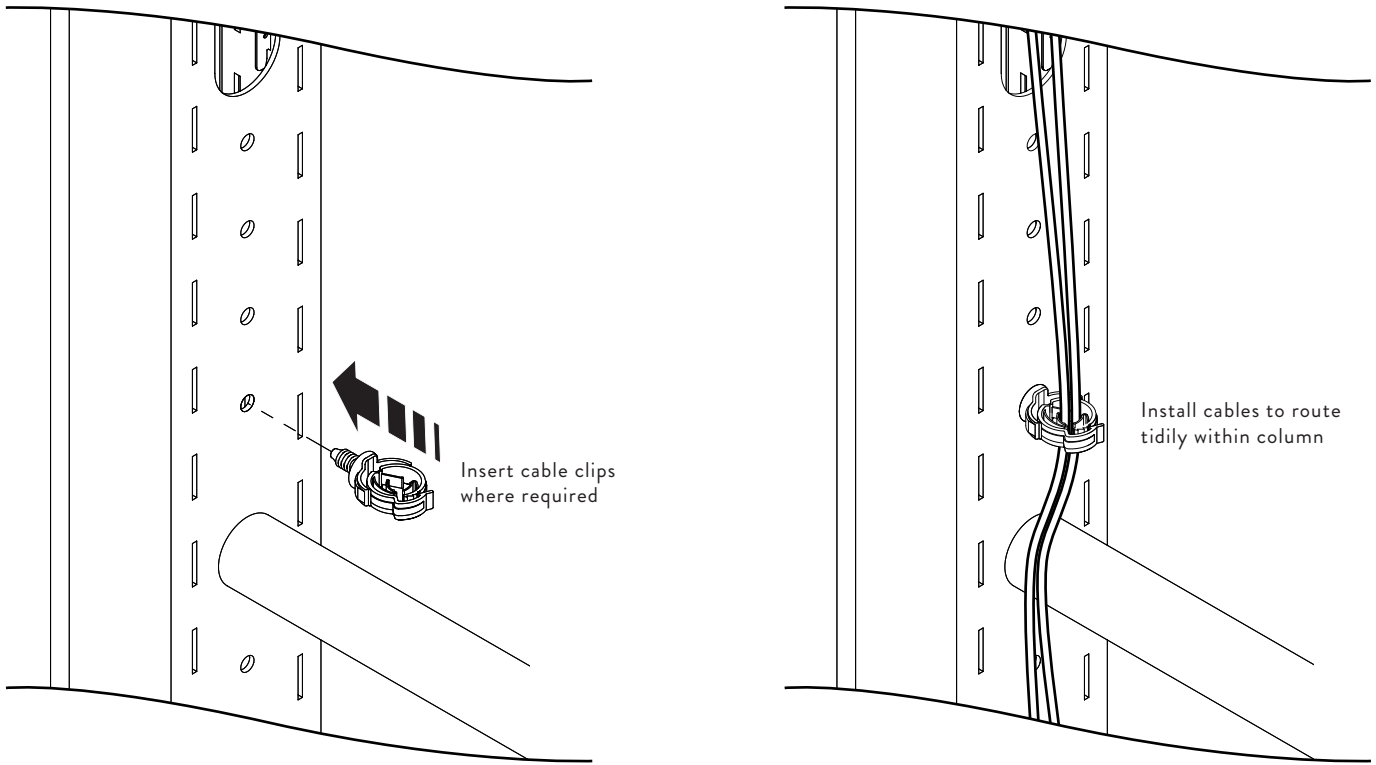
AVS/021/RM1  
AV/VC One – Rack Mount Kit



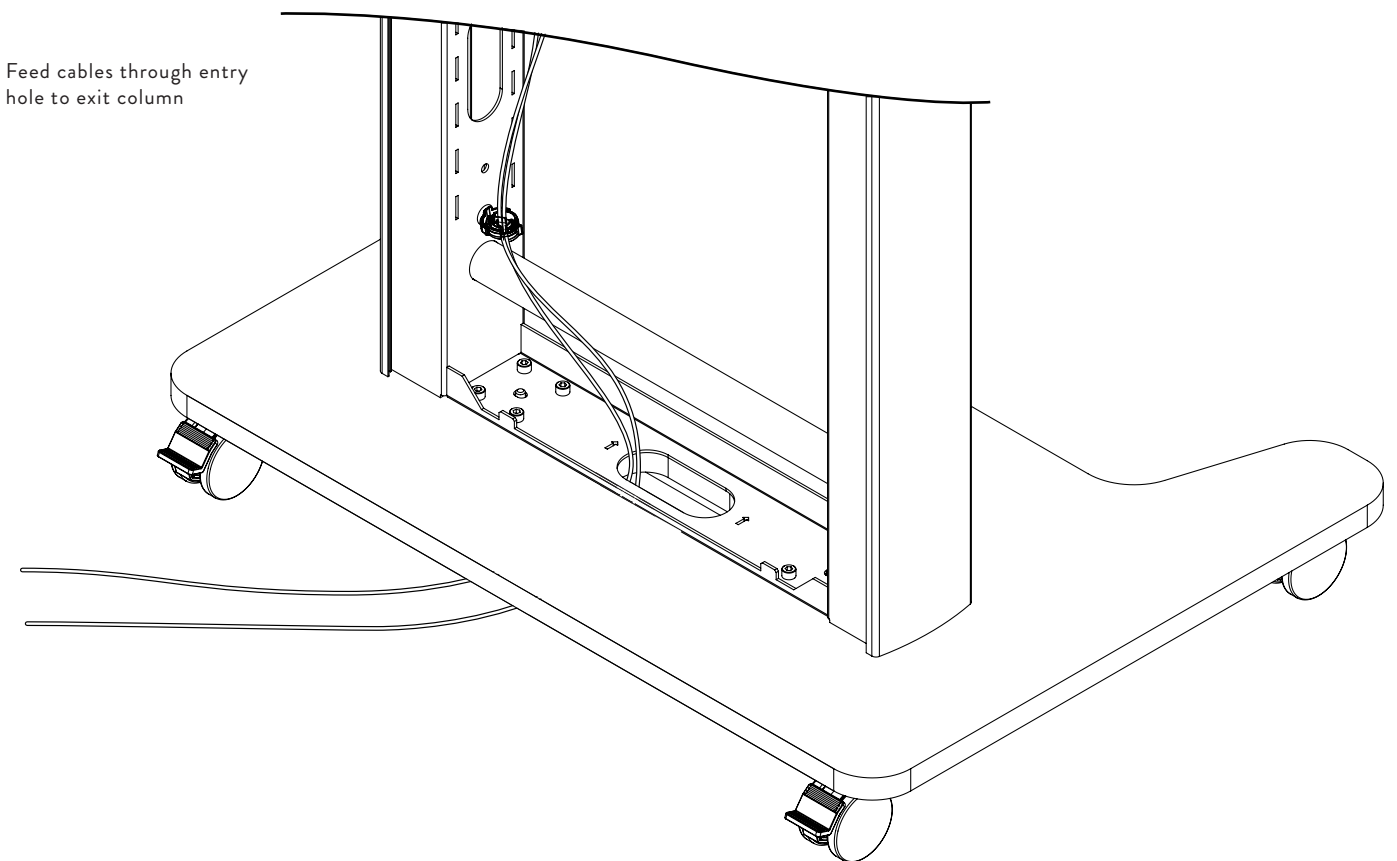
AVS/021/FAN1  
AV/VC One – Fan Mount

 **SEE INSTALLATION INSTRUCTIONS SUPPLIED WITH EACH ACCESSORY** 

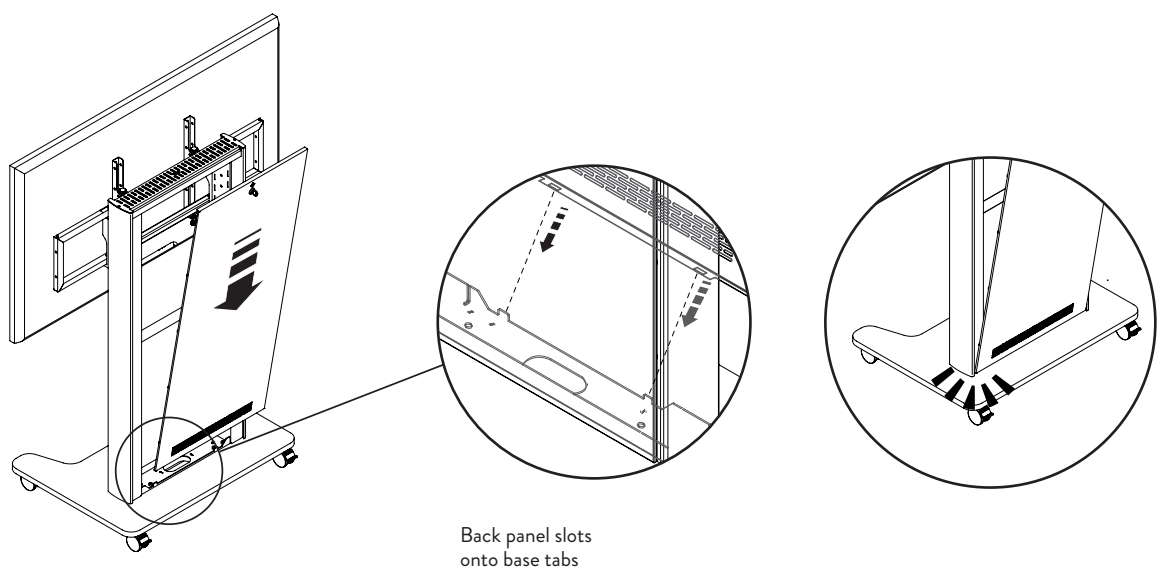
6.1 INSTALL CABLE MANAGEMENT WITHIN COLUMN



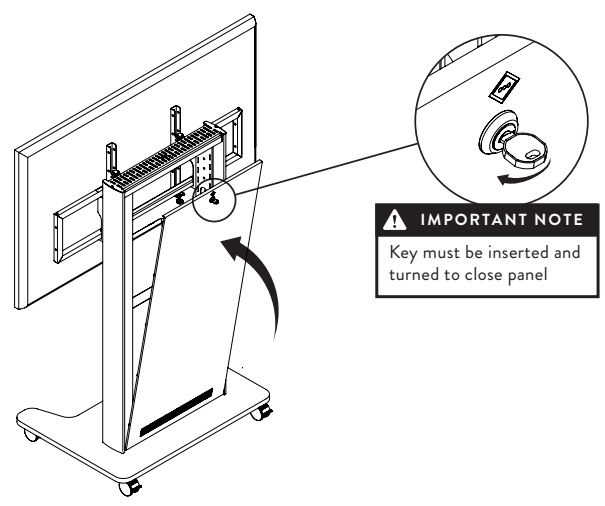
6.2 CABLE ENTRY / EXIT INTO UNIT



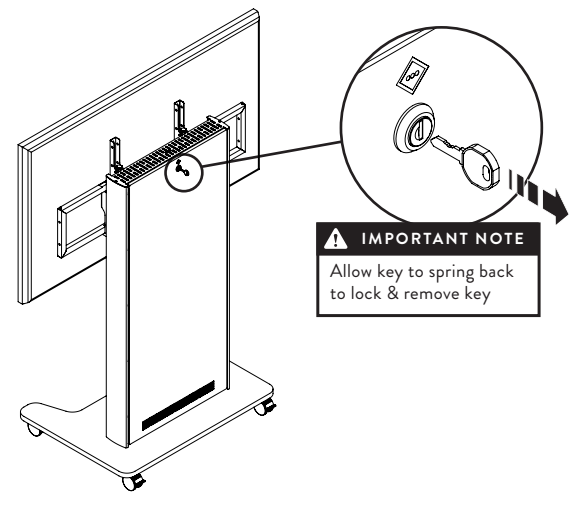
7.1 FIT BACK PANEL



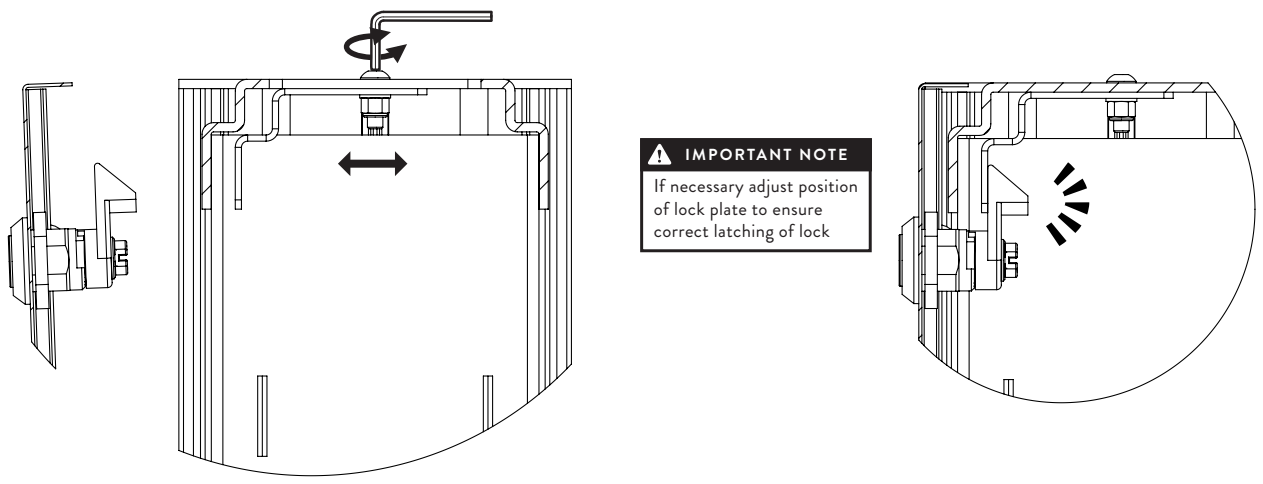
7.2 CLOSE BACK PANEL



7.3 LOCK BACK PANEL

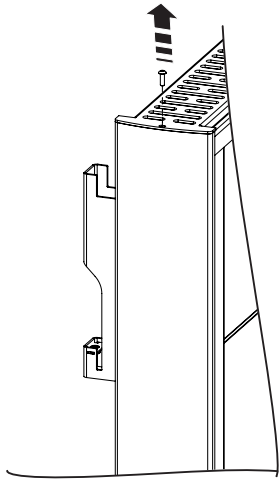


7.4 [OPTIONAL] FINE ADJUSTMENT OF LOCK PLATE

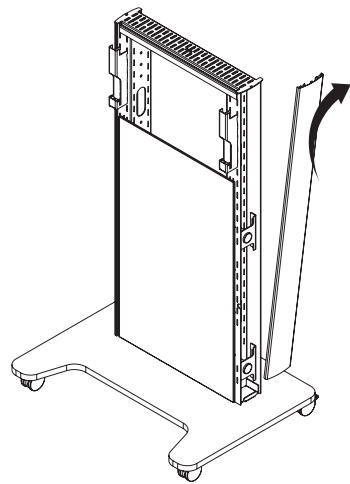


SECURITY CLIPS PERMIT SECURE FIXING OF FRONT PANEL AND SCREEN SUPPORT BRACKETS

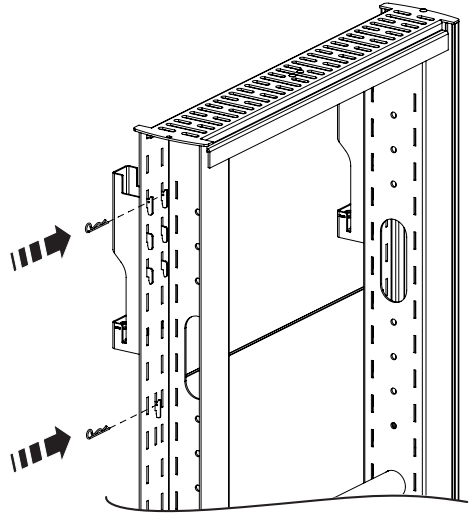
8.1 REMOVE SIDE COVER FIXING SCREW



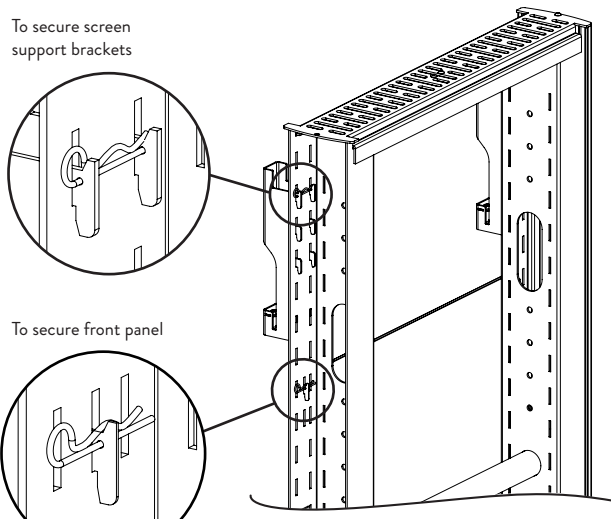
8.2 LIFT AWAY COVER



8.3 INSERT CLIPS



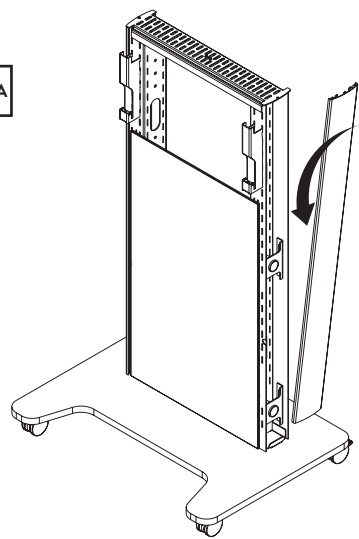
8.4



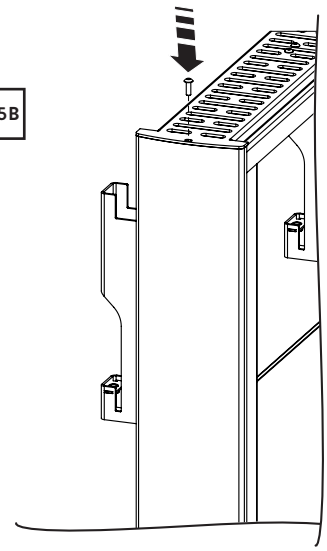
**IMPORTANT NOTE**  
Apply clips to both sides

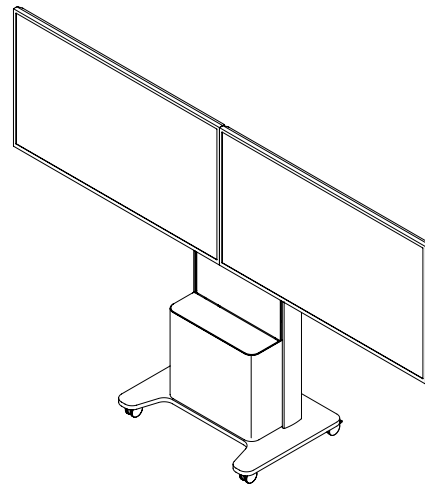
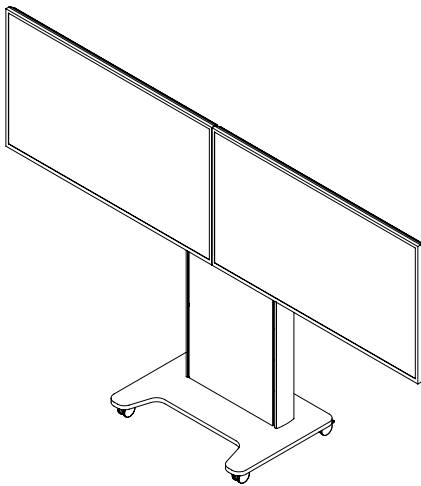
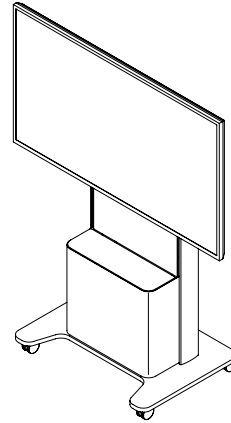
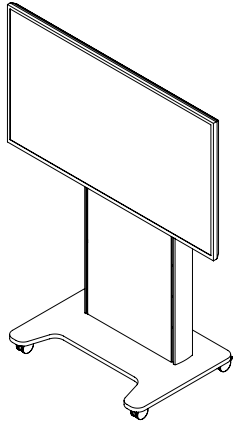
8.5 REFIT COLUMN SIDE COVERS

8.5A



8.5B





INSTALLATION IS NOW COMPLETE



PLEASE CONSIDER LEAVING THESE INSTRUCTIONS WITH THE UNIT  
IF FURTHER INSTALLATION MAY BE REQUIRED BY OTHERS



colebrook bosson saunders

---