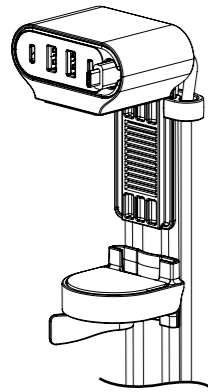


TO INSTALL ONDO WHERE BACK OF WORKSURFACE ACCESS IS RESTRICTED

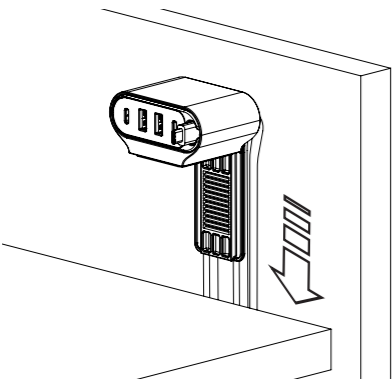
14

14A Remove Clamp Platform

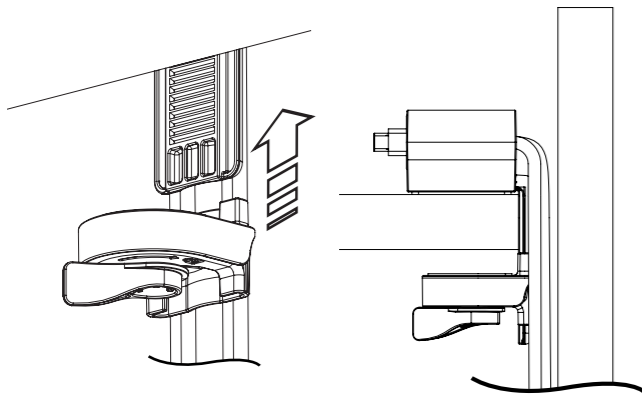


NOTE
Cable clip may also be removed if space is very restricted.

14B Slide Ondo mount down back of worksurface



14C Re-install clamp platform



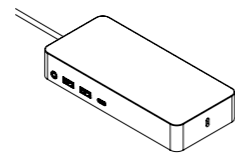
14D Secure the mount to the worksurface as described in Step 8

OND-001-M02-INST-A-NOV-2022

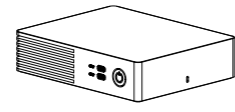
Please consider leaving these instructions with the product if further installation may be required by others

HOW ONDO INTER-CONNECTS WITH IN-DESK DEVICES

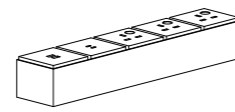
Ondo can connect to a range of in-desk devices to bring user connection ports to a convenient on-desk location.



Laptop Docks

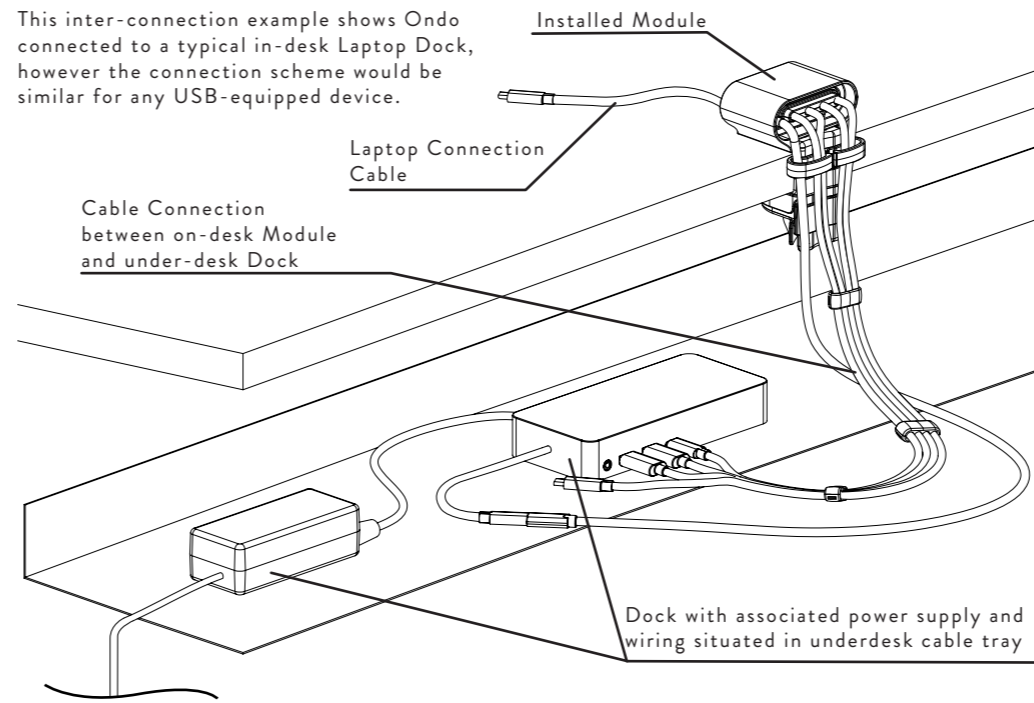


Compact PCs or Thin Clients

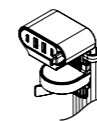


USB powerbars or power sockets

This inter-connection example shows Ondo connected to a typical in-desk Laptop Dock, however the connection scheme would be similar for any USB-equipped device.



If your workstation does not feature a suitable under-desk cable tray, CBS can offer a range of under-desk device mounts. Please see our website for details or consult your CBS representative.



FR: Usage à l'intérieur uniquement (température ambiante: 0 à 40 °C)

DE: Nur für den Innenbereich geeignet (Umgebungstemperatur: 0-40°C)

SP: Solo para uso en interiores (temperatura ambiente: 0 - 40 °C)

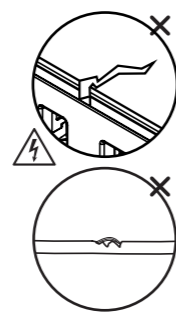
EN: Indoor use only (ambient temperature: 0 - 40°C)



JP: 屋内使用限定 (周囲温度: 0 ~ 40 °C)

CN: 仅限室内使用 (环境温度: 0-40 °C)

KN: 실내에서만 사용 (주위 온도: 0~40°C)



FR: Ce produit ne peut pas être réparé s'il est endommagé. Si le câble flexible est endommagé ou si le boîtier est fissuré ou endommagé, le produit doit être mis au rebut de manière appropriée.

DE: Dieses Produkt kann nicht repariert werden, wenn es beschädigt ist. Bei Beschädigung des Kabels oder Rissen bzw. Beschädigungen des Gehäuses bitte fachgerecht entsorgen.

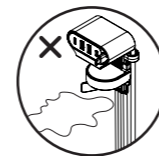
SP: Este producto no se puede reparar en caso de estar dañado. Si el cable flexible está dañado o la carcasa está quebrada o dañada, deseche el producto de manera adecuada.

EN: The product cannot be repaired if it is damaged. If the flexible cable is damaged or the case is cracked or damaged dispose of appropriately.

JP: 破損した際、本製品は修理できません。ケーブルが破損、またはケースのひび割れ、あるいは破損しましたら適切な方法で廃棄してください。

CN: 本产品损坏后不可维修。如果柔性电缆损坏或外壳破裂或损坏，请妥善处置它们。

KN: 본 제품은 손상되면 수리할 수 없습니다. 케이블이 손상되었거나 케이스에 금이 가거나 손상된 경우 올바른 방법으로 폐기해 주세요.



FR: Ne pas utiliser le produit dans des conditions humides ni l'immerger dans l'eau.

DE: Nicht in feuchter Umgebung verwenden oder in Wasser eintauchen.

SP: No lo use en condiciones húmedas ni lo sumerja en agua.

EN: Do not use in wet conditions or immerse in water.



JP: 水気のある場所または水中では使用しないでください。

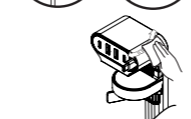
CN: 请勿在潮湿条件下使用或浸入水中。

KN: 젖은 상태에서 사용하지거나 물에 담그지 마세요.



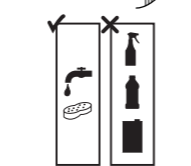
FR: Ne pas le nettoyer avec des solvants ou d'autres produits de nettoyage ménager. Toujours débrancher le câble d'alimentation avant de le nettoyer.

DE: Nicht mit Reinigungsmitteln oder anderen Haushaltsreinigern reinigen. Vor dem Reinigen immer Netzstecker ziehen.



SP: No limpie con disolventes u otros productos de limpieza de uso doméstico. Desenchufe siempre el cable de alimentación al limpiar.

EN: Do not clean with solvents or other household cleaners. Always unplug the power cable when cleaning.



JP: 溶剤またはその他の家庭用クリーナー等を使ってお手入れはしないでください。お手入れの際は必ずコンセントからプラグを抜いてください。

CN: 请勿使用溶剂或其他家用清洁剂清洁。清洁时请务必拔下电源线。

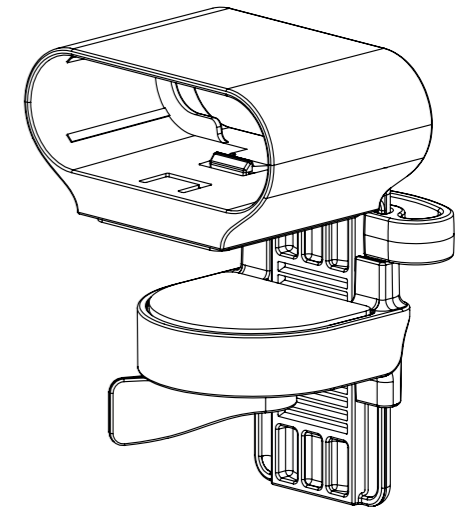
KN: 용액이나 기타 가정용 세제로 청소하지 마세요. 청소할 때는 항상 전원 케이블을 분리해 주세요.

PATENTS

Colebrook Bosson Saunders hold a number of patents and other intellectual property rights covering our products and processes. You can find patent information on our website at: www.colebrookbossonsaunders.com/patents

www.colebrookbossonsaunders.com

ondo

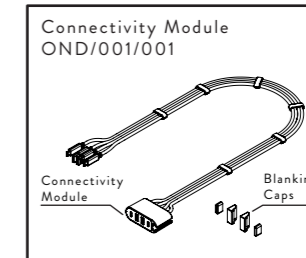


ONDO INSTRUCTIONS

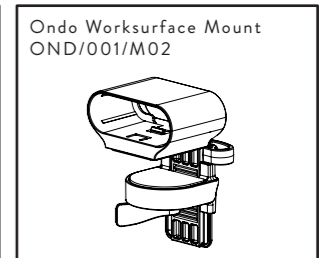
OND/001/001 & OND/001/M02

COMPONENTS LIST:

Elements supplied by Colebrook Bosson Saunders:

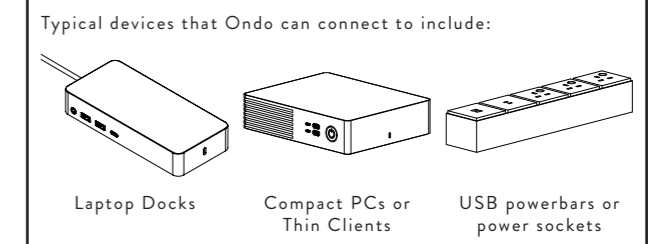


Connectivity Module OND/001/001



Ondo Worksurface Mount OND/001/M02

Ondo is intended to be used with other in-desk technology devices not supplied by Colebrook Bosson Saunders:



Typical devices that Ondo can connect to include:

Laptop Docks

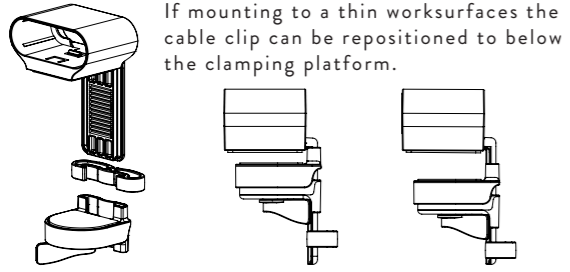
Compact PCs or Thin Clients

USB powerbars or power sockets

colebrook bosson saunders

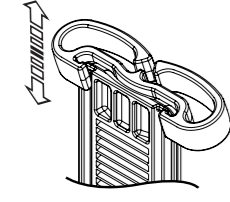
NOTE
Before commencing installation, it may be helpful to refer to the schematic overview illustrated overleaf.

OPTIONAL STEP 1 CONFIGURE FOR WORKSURFACE THICKNESS



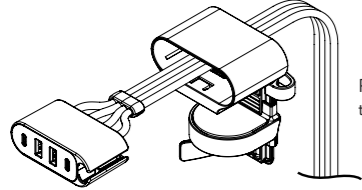
If mounting to a thin worksurfaces the cable clip can be repositioned to below the clamping platform.

2 REMOVING AND REPLACING CABLE CLIP



Push the cable clip over the end to remove and replace it.

3 FEED MODULE CABLES THROUGH CLAMP MOUNT

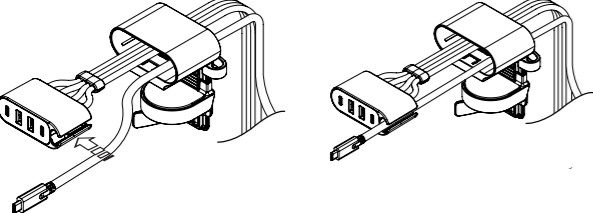


Feed the cables through the mount.

OPTIONAL STEP 4 IF USING ONDO WITH LAPTOP DOCK, INSERT THE LAPTOP DOCK'S CABLE NOW

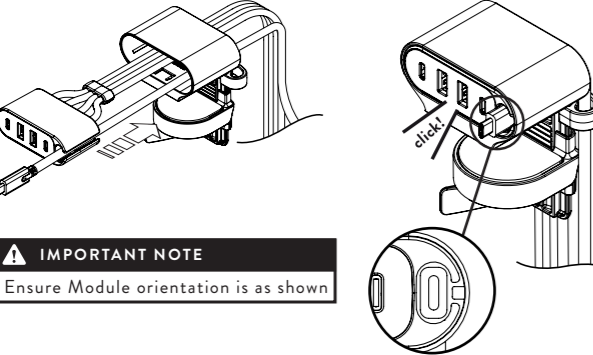
NOTE
The cable supplied with your chosen dock may be used. If this is not suitable or not long enough, then use the CBS Laptop Connection Cable (available separately.)

Lead dock cable through mount before inserting to Module



IMPORTANT NOTE
Ensure correct orientation of the laptop connection cable i.e. male connector above desk.

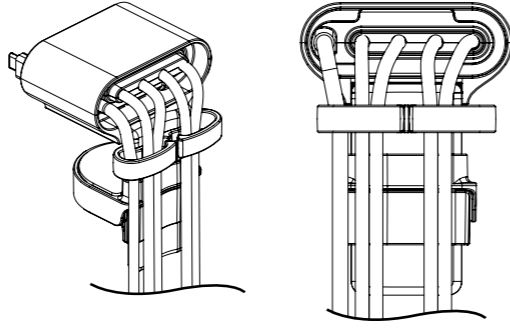
5 INSERT MODULE INTO MOUNT



IMPORTANT NOTE
Ensure Module orientation is as shown

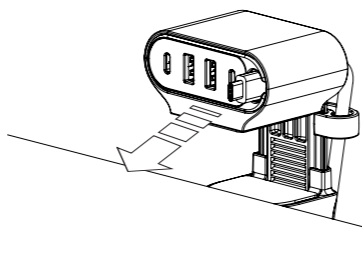
6 INSERT CABLES INTO CABLE CLIP

Insert the cables (if using cable clip)



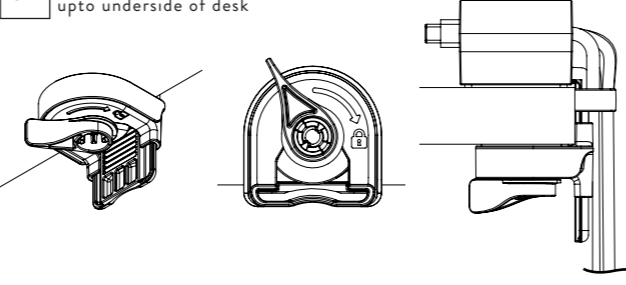
7 INSTALL THE MOUNT TO THE EDGE OF THE SURFACE

NOTE
If access to the rear of the desk is obstructed, you may need to remove the clamping platform to complete the installation. See Step 14.

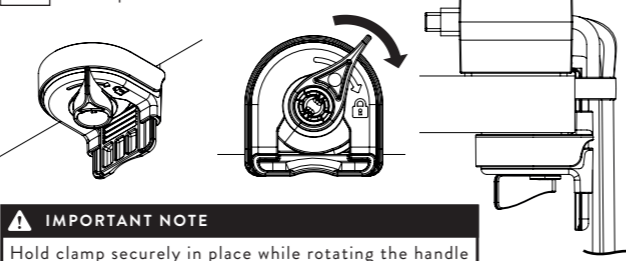


8 SECURING THE MOUNT TO THE SURFACE

8A Push Clamping Platform upto underside of desk

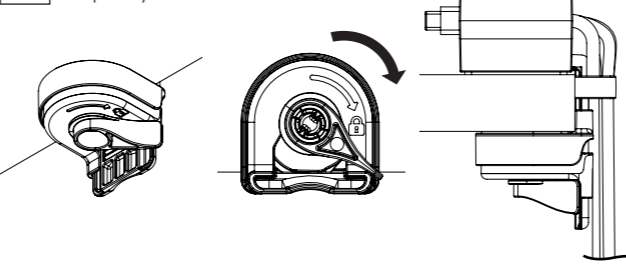


8B Rotate the handle to the locked position

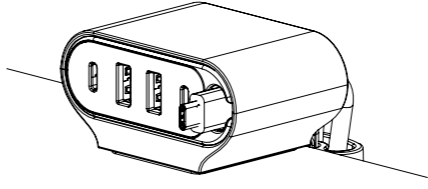


IMPORTANT NOTE
Hold clamp securely in place while rotating the handle

8C Close the handle completely to lock Ondo

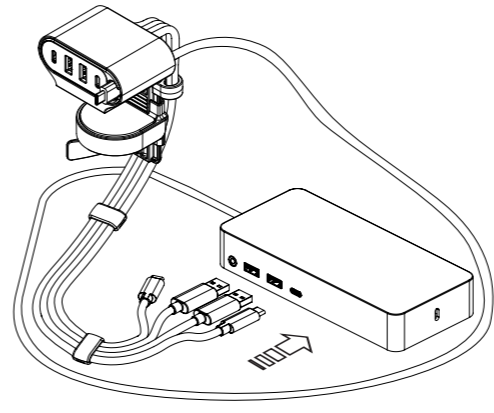


8D Installation Complete



9 CONNECTING ONDO TO AN IN-DESK DEVICE

NOTE
Note the illustrated connection example shows a Laptop Dock. The connection scheme would be similar for any USB-equipped device.



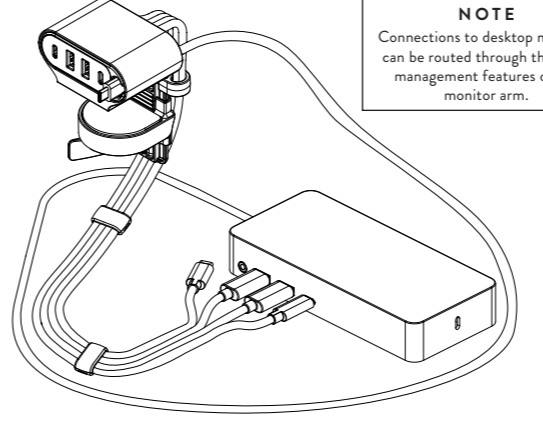
NOTE
Be sure to leave enough cable length on the desktop for convenient connection to a user's laptop.

Insert the cable connections from Ondo into the corresponding user-connection ports of your chosen device.

Device should be positioned within the cable management system of the furniture, at a convenient distance from the installed Module.

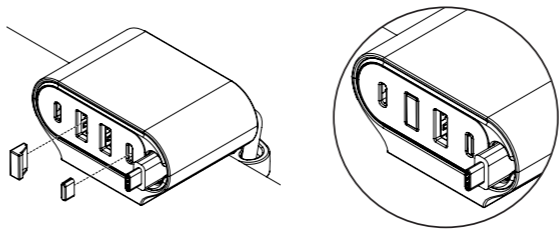
10 OTHER CABLE CONNECTIONS TO THE DEVICE

All other device connections (e.g. to power supply, monitors, networks or other 'infrastructure' devices) should be made according to the device manufacturer's instructions.



NOTE
Connections to desktop monitors can be routed through the cable management features of the monitor arm.

11 COVERING OFF UNUSED CONNECTIONS

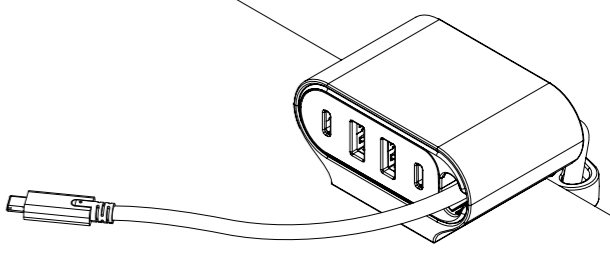


If any cables are unused (i.e. not connected to a corresponding port on the device), the unused desktop port in the Ondo Module should be blanked-off using one of the port blanking caps provided.

12 CONFIGURE THE LAPTOP CONNECTION CABLE

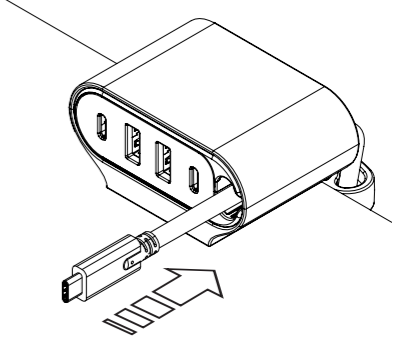
If using Ondo with a Laptop Dock, the laptop connections cable can be made available on the desktop in two ways:
It can simply be left 'extended' on the worksurface until required for laptop connection.

Cable Option A



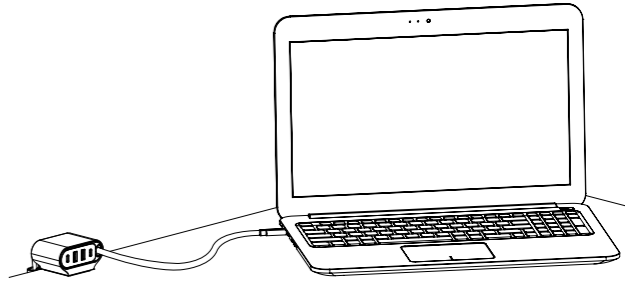
For a tidier installation, it can be pushed back into the Module, when not in use.

Cable Option B



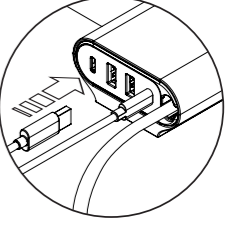
IMPORTANT NOTE
Free cable movement requires sufficient unobstructed below-desk cable space to accept the free cable. Cable movement may also be inhibited by a back of desk bend radius that is too tight. If cable does not move freely, it is recommended to use cable method A.

13 CONNECTING EXTERNAL DEVICES TO ONDO



To connect devices to the fascia ports of the Module, simply insert the plug into the appropriate port.

IMPORTANT NOTE
Be careful not to use excessive force when inserting plugs into the Module.



FOLD

FOLD

FOLD

FOLD

FOLD