



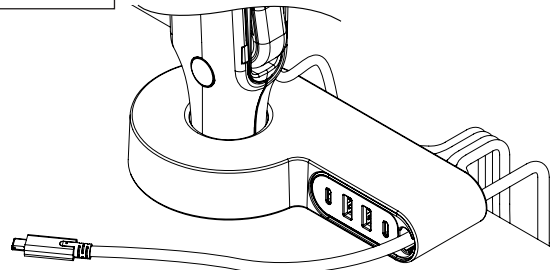
### CONFIGURE THE LAPTOP CONNECTION CABLE

12

The laptop connection cable can be made available on the desktop in two ways:

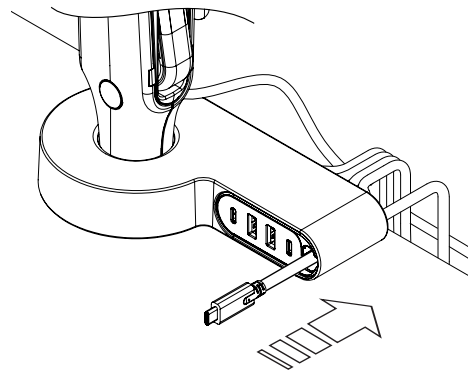
It can simply be left 'extended' on the worksurface until required for laptop connection.

#### Cable Option A



For a tidier installation, it can be pushed back into the Module, when not in use.

#### Cable Option B

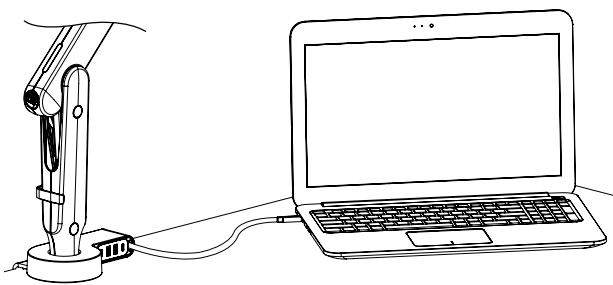


#### IMPORTANT NOTE

Free cable movement requires sufficient unobstructed below-desk cable space to accept the free cable. Cable movement may also be inhibited by a back of desk bend radius that is too tight. If cable does not move freely, it is recommended to use cable method A.

### CONNECTING EXTERNAL DEVICES TO ONDO

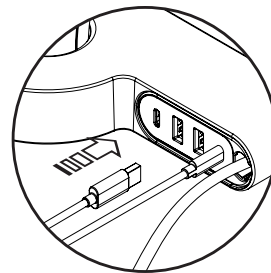
13



To connect devices to the fascia ports of the Module, simply insert the plug into the appropriate port.

#### IMPORTANT NOTE

Be careful not to use excessive force when inserting plugs into the Module.

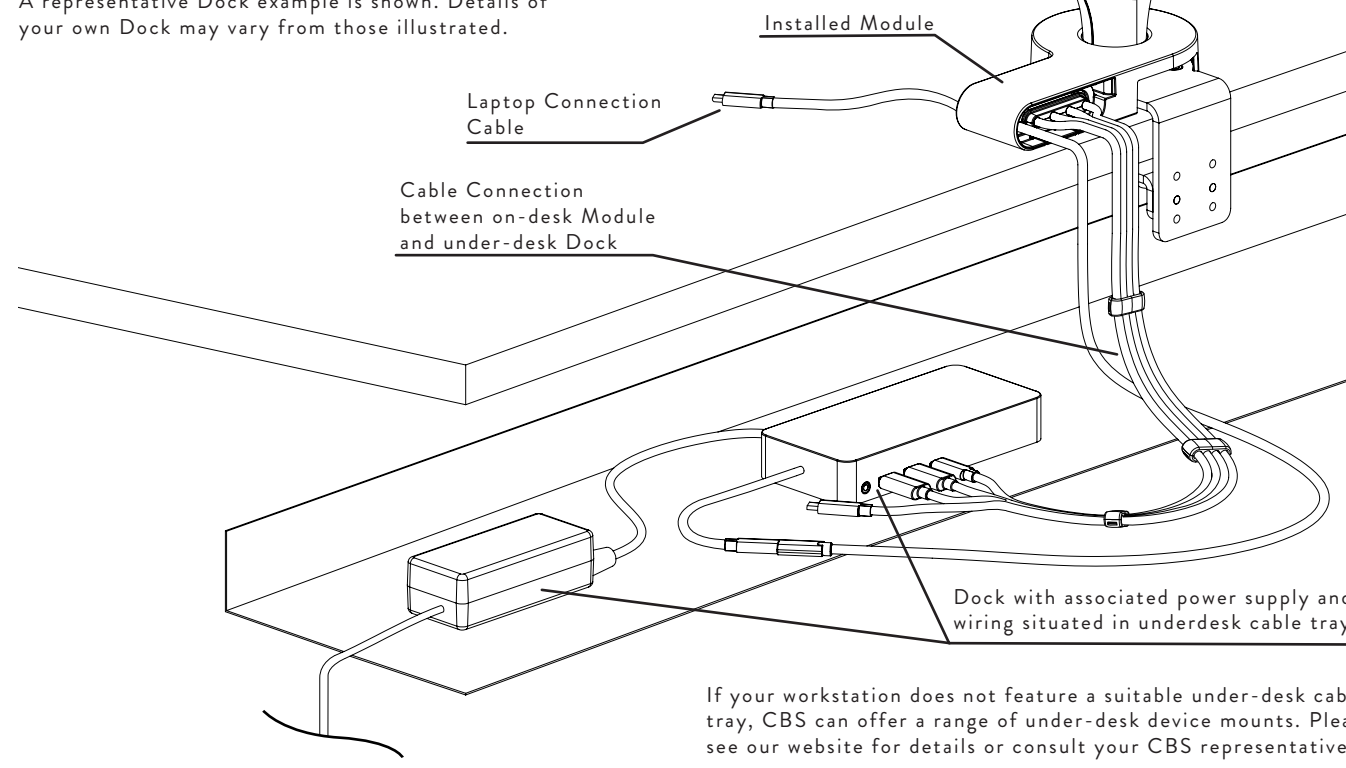


OND-001-M01-INST-A-OCT 2020

Please consider leaving these instructions with the product if further installation may be required by others

### SCHEMATIC LAYOUT OF A TYPICAL PRODUCT CONFIGURATION

A representative Dock example is shown. Details of your own Dock may vary from those illustrated.



If your workstation does not feature a suitable under-desk cable tray, CBS can offer a range of under-desk device mounts. Please see our website for details or consult your CBS representative.

	FR: Usage à l'intérieur uniquement (température ambiante: 0 à 40 °C)	DE: Nur für den Innenbereich geeignet (Umgebungstemperatur: 0-40°C)
	SP: Solo para uso en interiores (temperatura ambiente: 0 - 40° °C)	EN: Indoor use only (ambient temperature: 0 - 40°C)
	JP: 屋内使用限定 (周囲温度: 0 ~ 40 °C)	CN: 仅限室内使用 (环境温度: 0-40 °C)
	KN: 실내에서만 사용 (주위 온도: 0~40°C)	

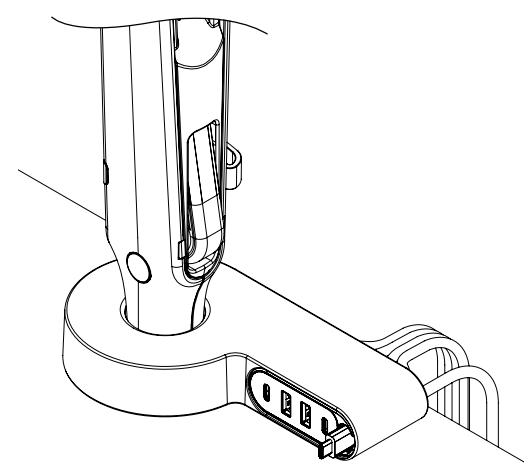
	FR: Ce produit ne peut pas être réparé s'il est endommagé. Si le câble flexible est endommagé ou si le boîtier est fissuré ou endommagé, le produit doit être mis au rebut de manière appropriée.	DE: Dieses Produkt kann nicht repariert werden, wenn es beschädigt ist. Bei Beschädigung des Kabels oder Rissen bzw. Beschädigungen des Gehäuses bitte fachgerecht entsorgen.
	SP: Este producto no se puede reparar en caso de estar dañado. Si el cable flexible está dañado o la carcasa está quebrada o dañada, deseche el producto de manera adecuada.	EN: The product cannot be repaired if it is damaged. If the flexible cable is damaged or the case is cracked or damaged dispose of appropriately.
	JP: 破損した際、本製品は修理できません。ケーブルが破損、またはケースのひび割れ、あるいは破損しましたら適切な方法で廃棄してください。	CN: 本产品损坏后不可维修。如果柔性电缆损坏或外壳破裂或损坏，请妥善处置它们。
	KN: 본 제품은 손상되면 수리할 수 없습니다. 케이블이 손상되었거나 케이스에 금이 가거나 손상된 경우 올바른 방법으로 폐기해 주세요.	

	FR: Ne pas utiliser le produit dans des conditions humides ni l'immerger dans l'eau.	DE: Nicht in feuchter Umgebung verwenden oder in Wasser eintauchen.
	SP: No lo use en condiciones húmedas ni lo sumerja en agua.	EN: Do not use in wet conditions or immerse in water.
	JP: 水気のある場所または水中では使用しないでください。	CN: 请勿在潮湿条件下使用或浸入水中。
	KN: 젖은 상태에서 사용하지거나 물에 담그지 마세요.	

	FR: Ne pas le nettoyer avec des solvants ou d'autres produits de nettoyage ménager. Toujours débrancher le câble d'alimentation avant de le nettoyer.	DE: Nicht mit Reinigungsmitteln oder anderen Haushaltsreinigern reinigen. Vor dem Reinigen immer Netzstecker ziehen.
	SP: No limpie con disolventes u otros productos de limpieza de uso doméstico. Desenchufe siempre el cable de alimentación al limpiar.	EN: Do not clean with solvents or other household cleaners. Always unplug the power cable when cleaning.
	JP: 溶剤またはその他の家庭用クリーナー等を使ってのお手入れはしないでください。お手入れの際は必ずコンセントからプラグを抜いてください。	CN: 请勿使用溶剂或其他家用清洁剂清洁。清洁时请务必拔下电源线。
	KN: 용액이나 기타 가정용 세제로 청소하지 마세요. 청소할 때는 항상 전원 케이블을 분리해 주세요.	

**PATENTS**  
Colebrook Bosson Saunders hold a number of patents and other intellectual property rights covering our products and processes. You can find patent information on our website at: [www.colebrookbossonsaunders.com/patents](http://www.colebrookbossonsaunders.com/patents)

[www.colebrookbossonsaunders.com](http://www.colebrookbossonsaunders.com)



### ONDO INSTRUCTIONS

OND/001/001 & OND/001/M01

### COMPONENTS LIST:

Elements supplied by Colebrook Bosson Saunders:


OPTIONAL Laptop Connection Cable OND/001/A01

Additional system elements not supplied by Colebrook Bosson Saunders:

Universal Dock

An appropriate Dock should be sourced from your preferred IT provider.

colebrook bosson saunders

FOLD

FOLD

FOLD

FOLD

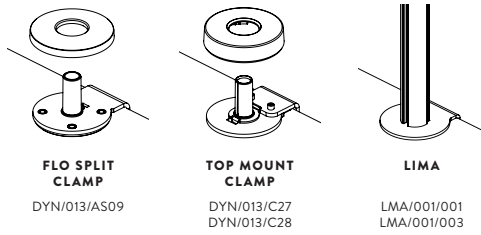
FOLD

PRINT SIZE - A3 420MM X 297MM

**NOTE**  
Before commencing installation, it may be helpful to refer to the schematic overview illustrated overleaf.

**FIT DESK FIXING TO WORKSURFACE**

Refer to installation instructions supplied with desk fixing.

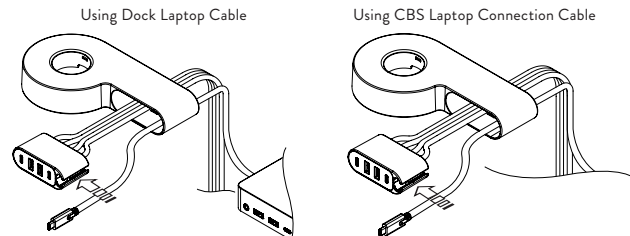


**FEED MODULE CABLES THROUGH CLAMP MOUNT**



**INSERT LAPTOP CONNECTION CABLE INTO MODULE**

**NOTE**  
The cable supplied with your chosen dock may be used. If this is not suitable or not long enough, then use the CBS Laptop Connection Cable (available separately.)

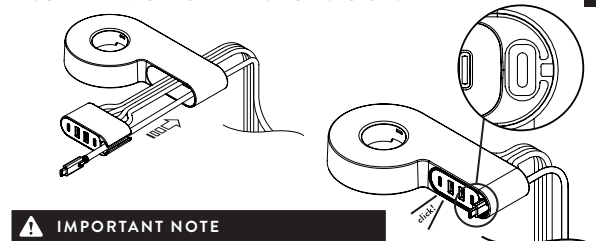


Lead dock cable through mount before inserting to Module

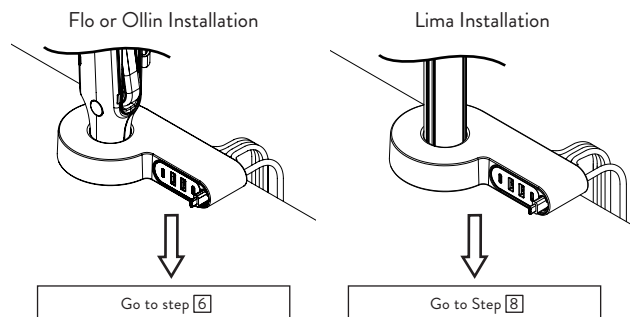
Lead laptop cable through mount before inserting to Module

**IMPORTANT NOTE**  
Ensure correct orientation of the laptop connection cable i.e. male connector above desk.

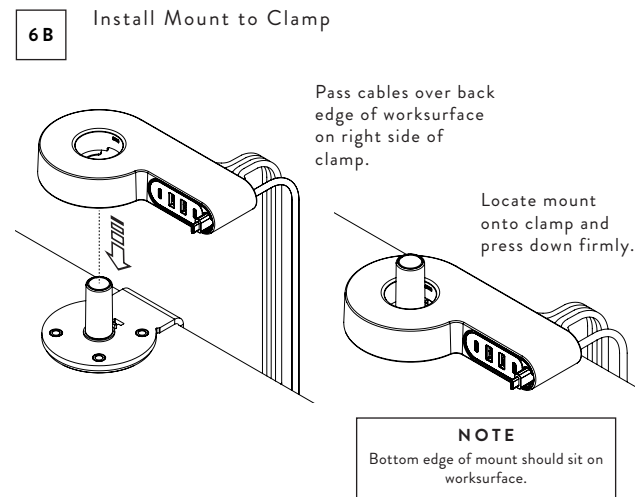
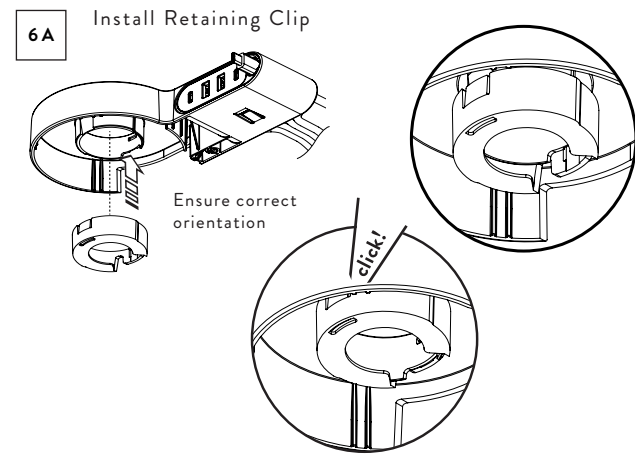
**INSERT MODULE INTO MOUNT**



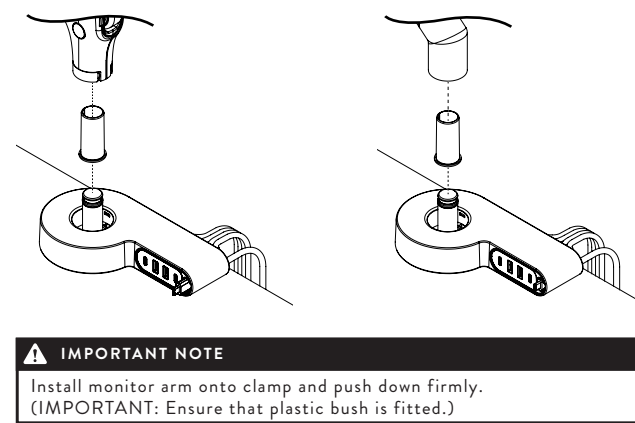
**INSTALLATION TYPE**



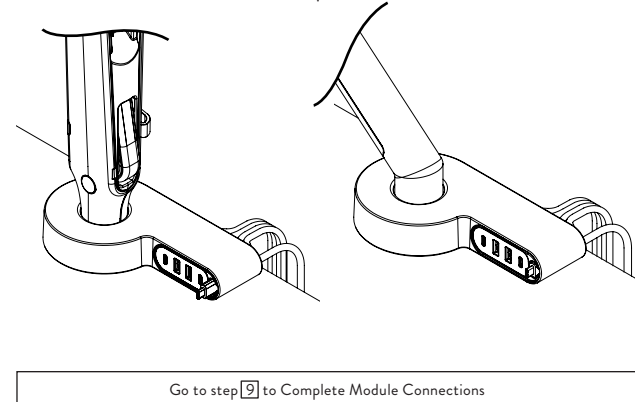
**INSTALL TO FLO / OLLIN CLAMPS**



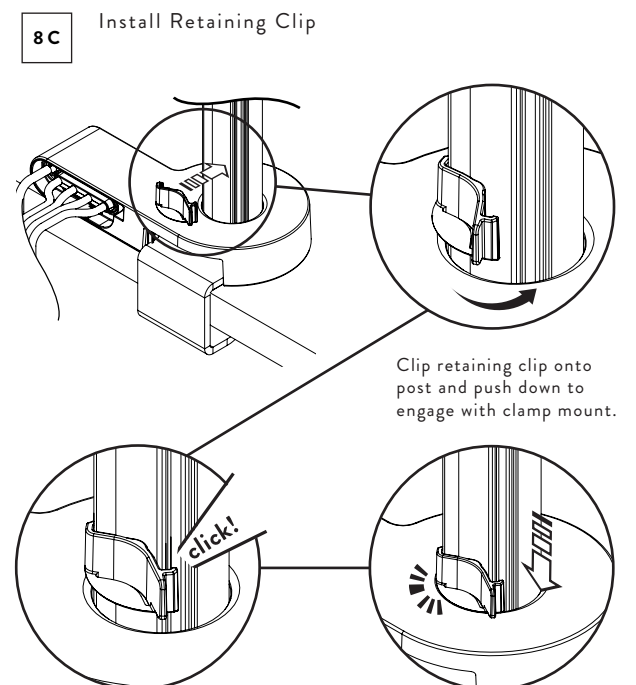
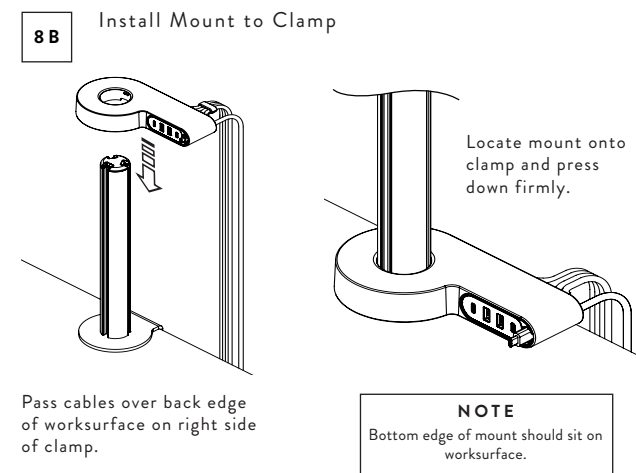
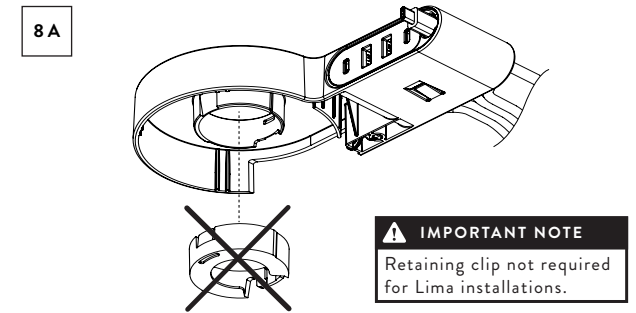
**INSTALL FLO OR OLLIN MONITOR ARM ONTO CLAMP**



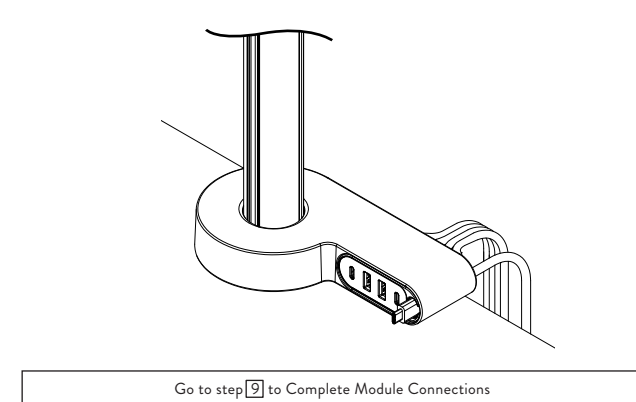
Installation of Module is complete.



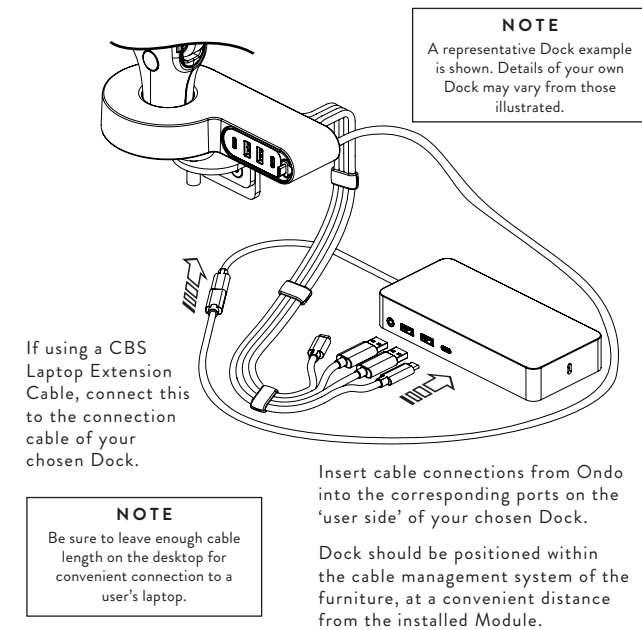
**INSTALL TO LIMA CLAMPS**



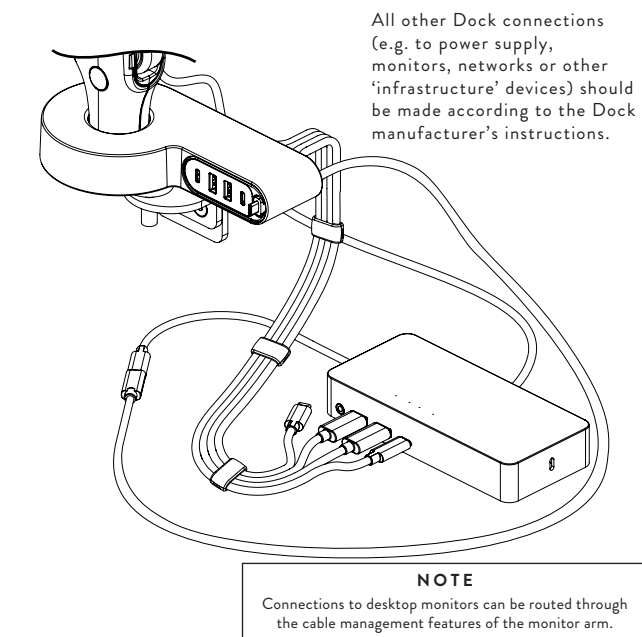
Installation of Module is Complete



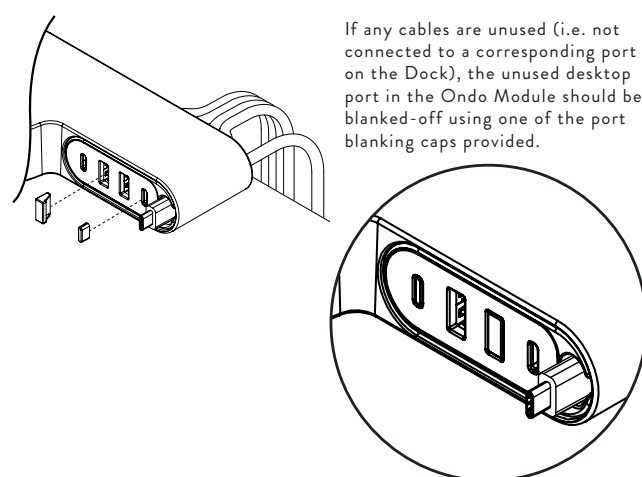
**CABLE CONNECTIONS FROM ONDO TO THE DOCK**



**OTHER CABLE CONNECTIONS TO THE DOCK**



**COVERING OFF UNUSED CONNECTIONS**



FOLD

FOLD

FOLD

FOLD

FOLD