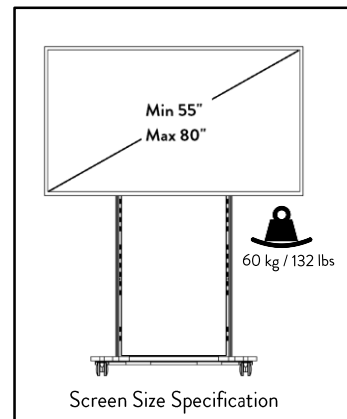
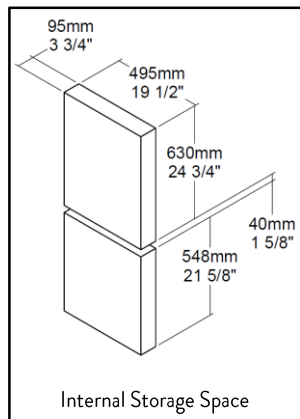
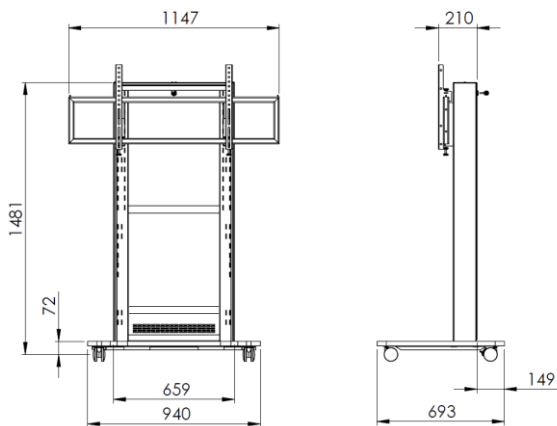
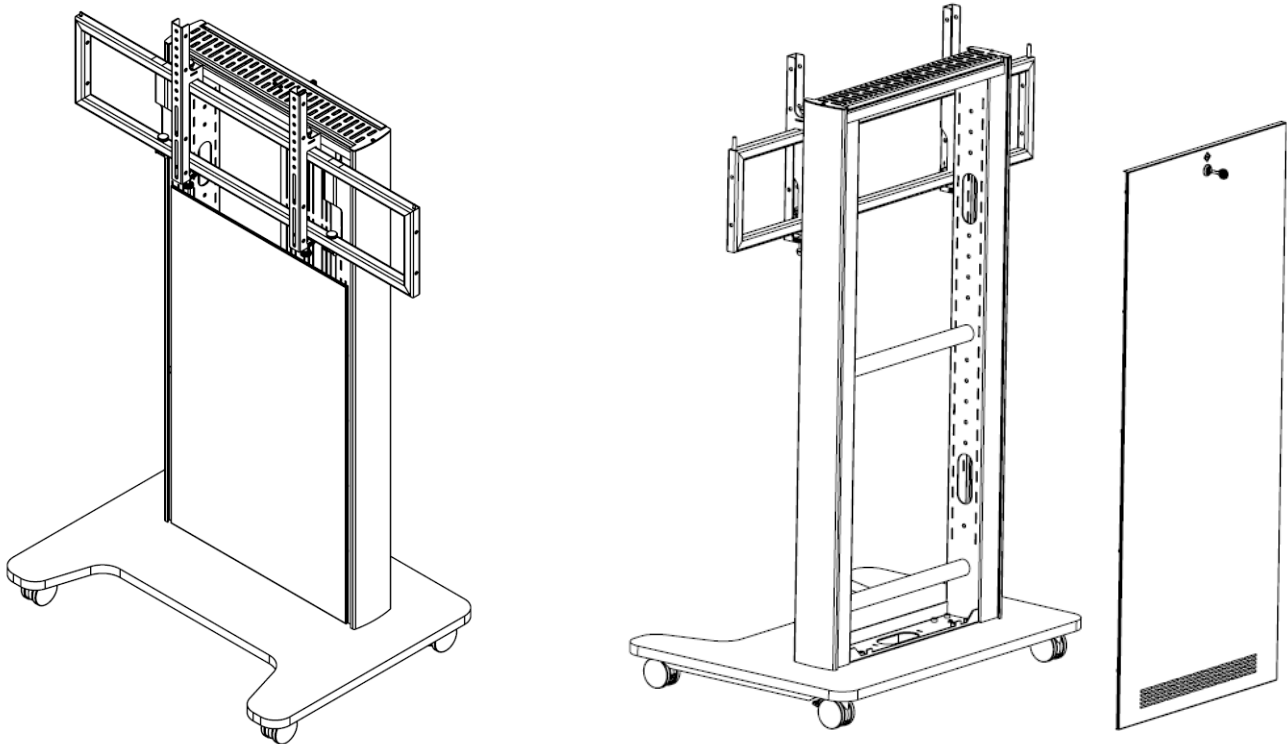




Product Configuration Sheet

AV/VC One – Single Screen Standard Configuration

Doc Rev 2. 24.05.2016.



*Note that dimensions provided are measured in mm

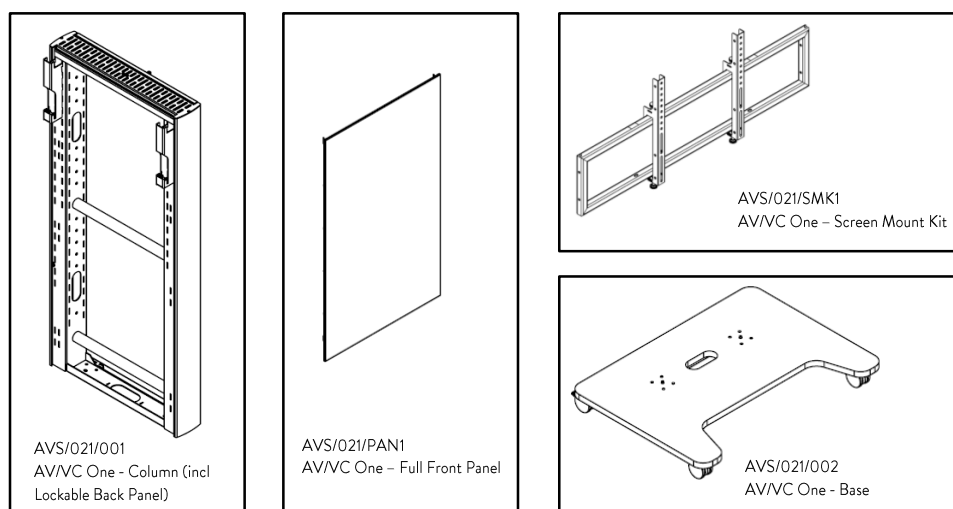
KEY FEATURES

- Suitable for mounting large format display screens from 55" to 80" in screen size / max weight 60kg
- Column designed for cable management and storing equipment securely with lockable back panel
- Hooking system to permit quick and easy mounting of core parts and accessories
- Ventilation panel in the column ensures air circulation for enclosed equipment
- Low profile base includes a cut out at the front to allow easy access for touch screen use
- Cable management featured throughout product
- Lockable castors

ORDERING INFORMATION

In order to achieve the AV/VC One - Single Screen Standard configuration please order the below parts

<u>Product Description</u>	<u>Product code</u>	<u>Colour</u>
AV/VC One Column incl Back Panel	AVS/021/001	:/W White or :/B Black
AV/VC One Screen Mount Kit	AVS/021/SMK	:/W White or :/B Black
AV/VC One Base	AVS/021/002	:/W White or :/B Black
AV/VC One Full Front Panel	AVS/021/PAN1	:/W White or :/B Black



Additional accessories available

WARRANTY

Warranty Term Limited lifetime

COMPLIANCE & SAFETY CERTIFICATION

Whilst no mandatory standards apply to the AV/VC accessory product sector, this product is tested to CBS's own standard which is based on UL 1678, (Tall display stands in public spaces, excluding hospitals, schools or similar environments where children, people with diminished capacity or disabilities are likely to move

Conformance certification	N/A
Test authority	CBS
Safety certification	N/A

CLEANING, STORAGE & MAINTENANCE

Routine servicing	Periodic inspection
Service components	Available to order
Cleaning & Maintenance	Damp cloth, no abrasives, no solvents to be used on the cosmetic surfaces
Handling & Storage	Do not drop or expose to moisture

Colebrook Bosson Saunders (Products) Ltd accept no liability for the accuracy of the information contained herein and retain the right to modify the specifications or data contained herein without prior notification.

For any further information please refer to the individual specification sheets