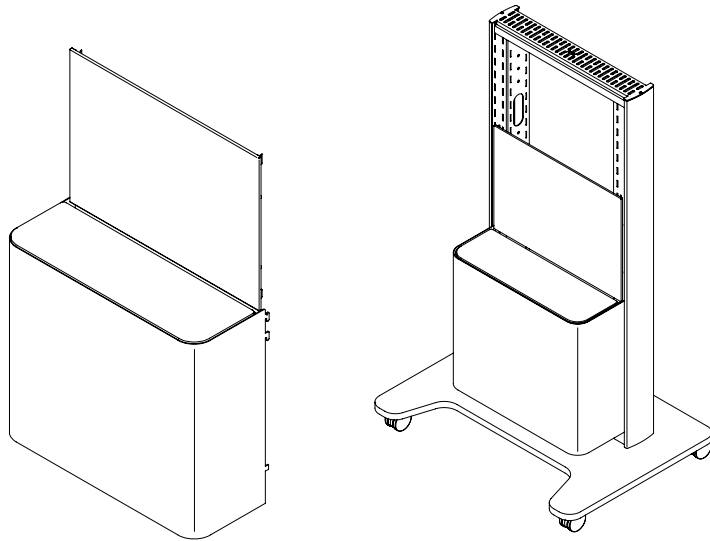


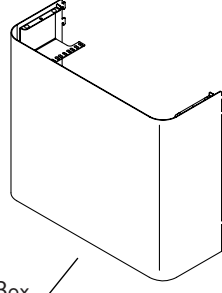
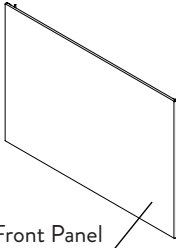
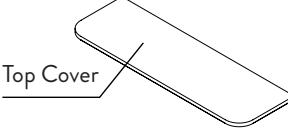





Installation Instructions for Front Box Kit (Including front panel)

AVS/021/FB1



 **REFER ALSO TO MAIN
INSTALLATION INSTRUCTIONS
FOR AV/VC ONE** 

PARTS INCLUDED:		AVS/021/FB1	
 Front Box	 Front Panel	 Top Cover	 Lock Washer x4
		 Captive Nut x4	 Fixing Screw x6

WARNING


- Do not install equipment heavier than 6kg/13.2lb.
- Use with products heavier than the maximum weights indicated may result in instability causing possible injury.
- Correct installation is essential to safe and reliable operation of the AV/VC One product and falls outside the scope of responsibility of Colebrook Bosson Saunders. Please follow assembly instructions carefully.
- Do not use this product for any purpose other than that for which it was designed.
- Ensure that floor or wall surface is strong enough to support the weight of the fully-loaded AV/VC One and that the floor surface is flat and level.
- Do not install AV/VC One outdoors or in environments where it will be directly exposed to moisture or highwinds.
- Follow the manufacturer's guidance for mounting of monitors, displays and other equipment.
- Please take care to avoid trapping fingers when installing or adjusting the product.

ELECTRICAL SAFETY

- Safe installation of electrical equipment is the responsibility of the installer.
- Colebrook Bosson Saunders recommends that only double-insulated electrical equipment and cables are installed in AV/VC One unit.

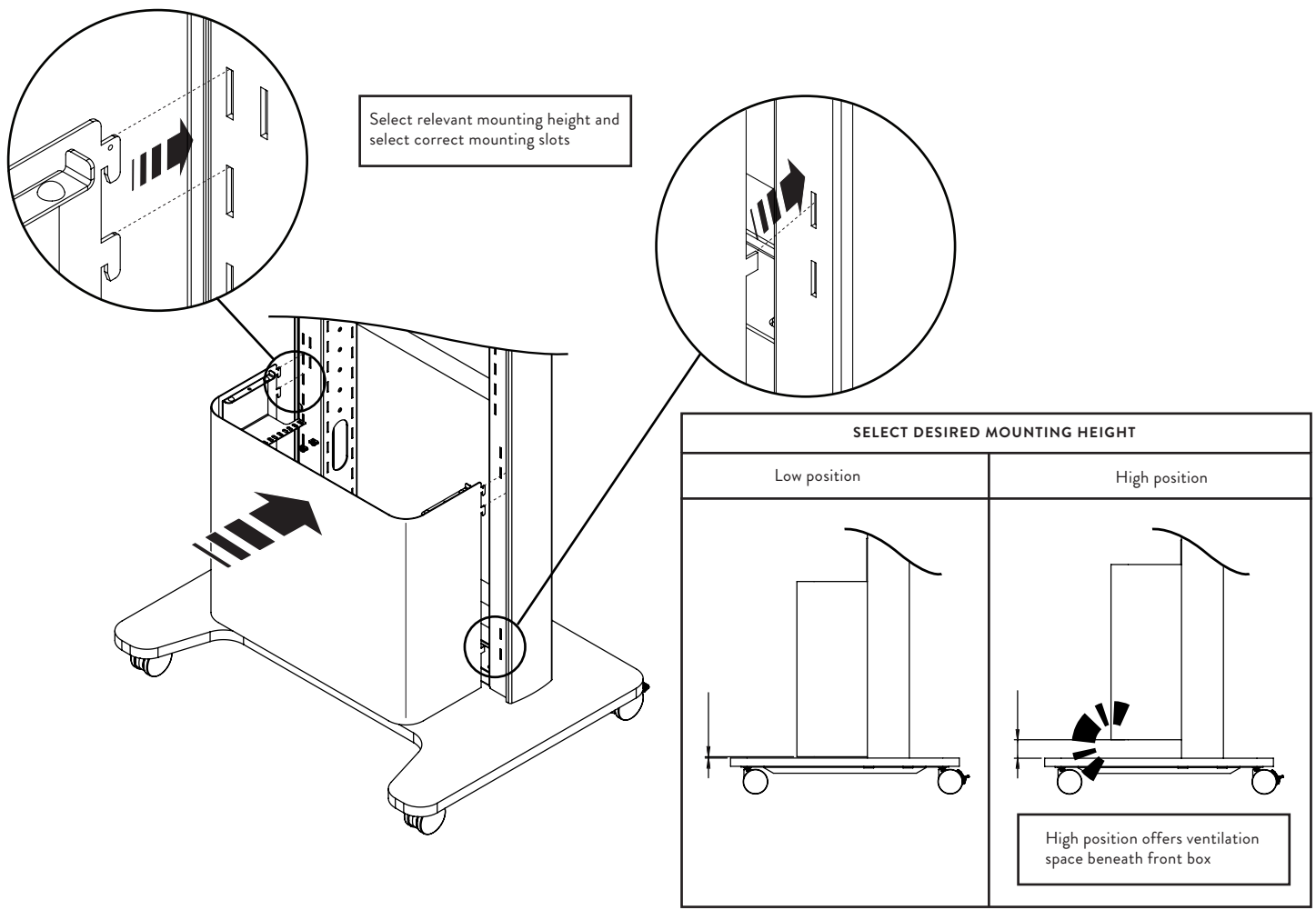
MAINTENANCE AND INSPECTION

- Ensure all screws and fixings are fully tightened and occasionally re-tighten if necessary.
- Clean with a dampcloth. DO NOT use solvents.

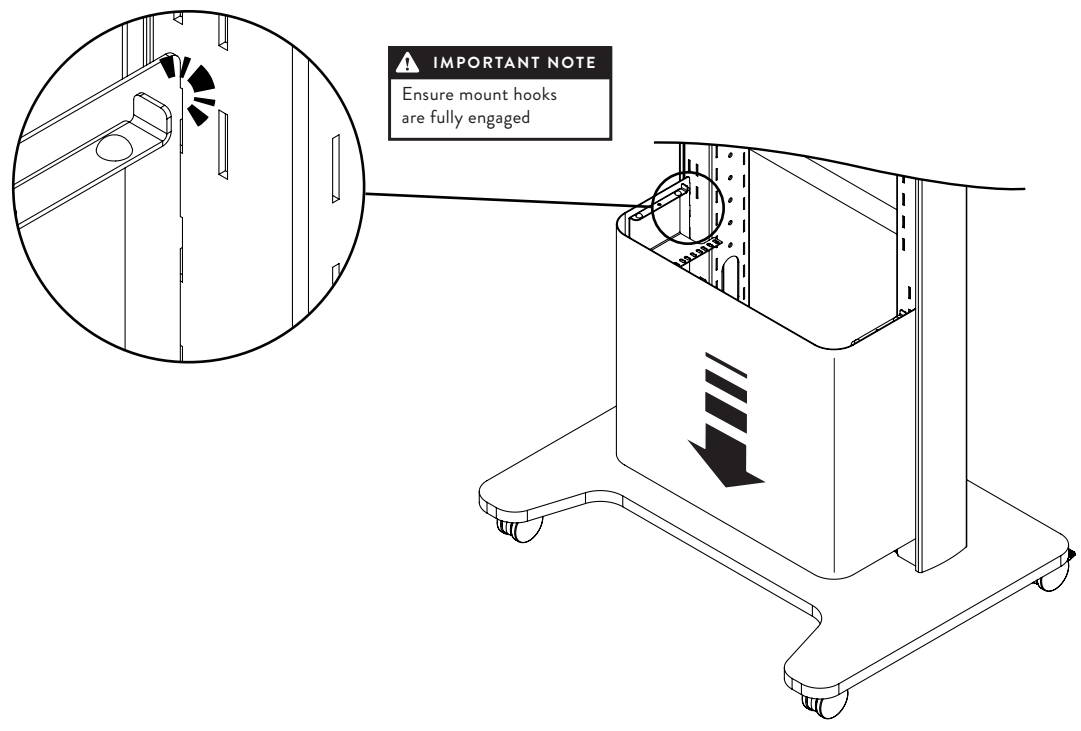
 **DISCLAIMER**
As part of Colebrook Bosson Saunders ongoing product improvement programme, the design of products may change without prior notice and details may vary from those illustrated.



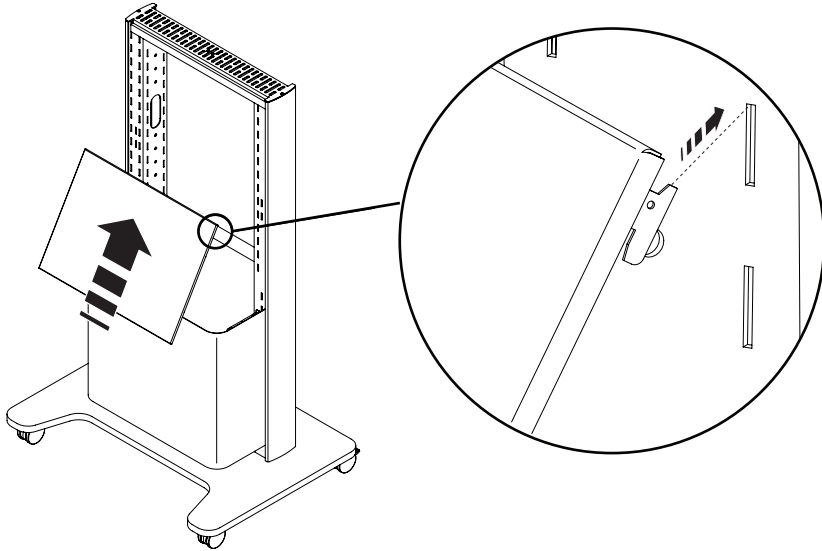
1.1



1.2

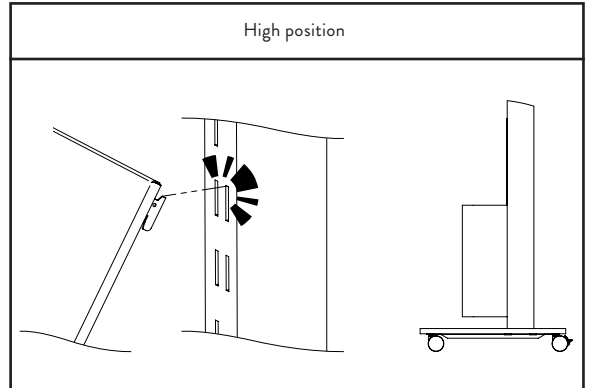


2.1

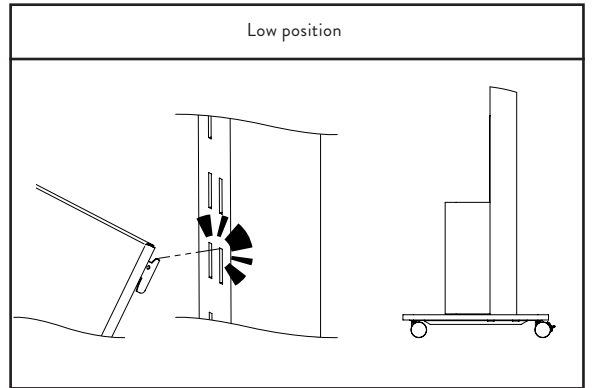


Choose mount slots to match the mounting height of front box

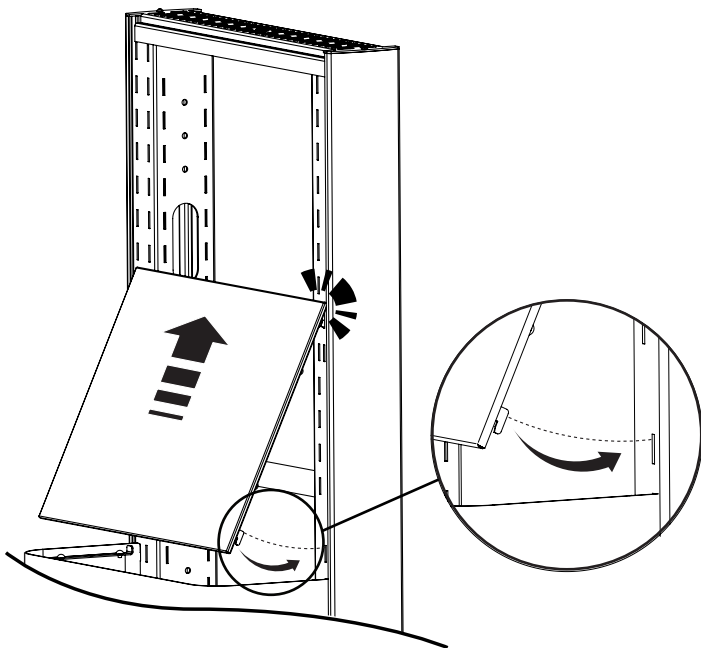
High position



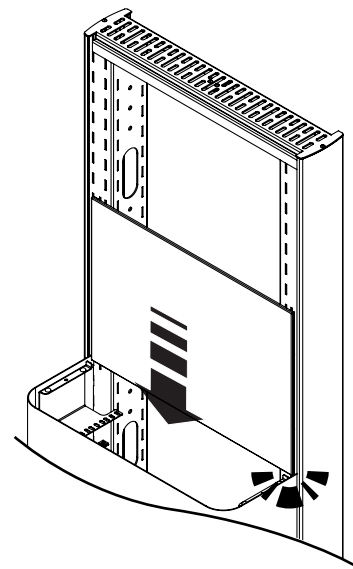
Low position



2.2

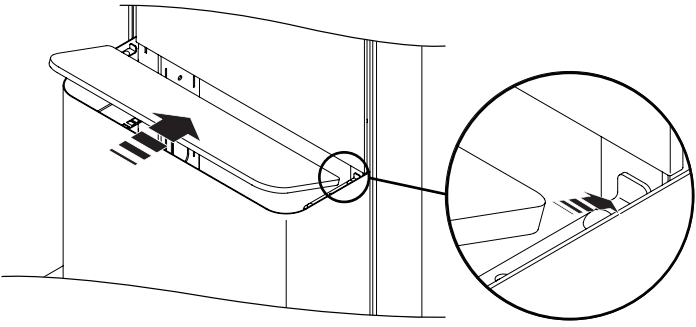


2.3

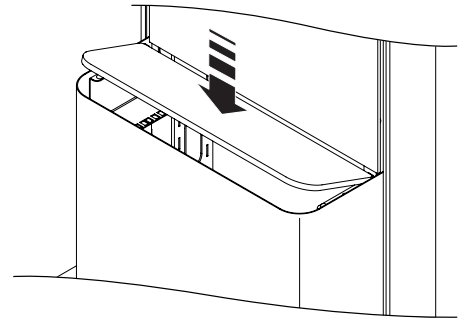


IMPORTANT NOTE
Ensure mount hooks are fully engaged

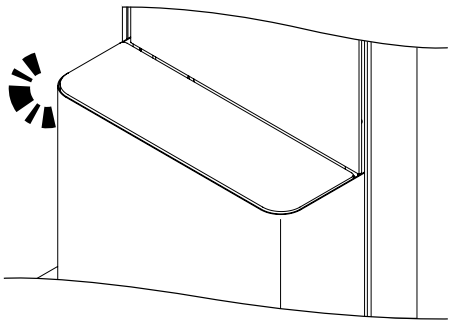
3.1



3.2

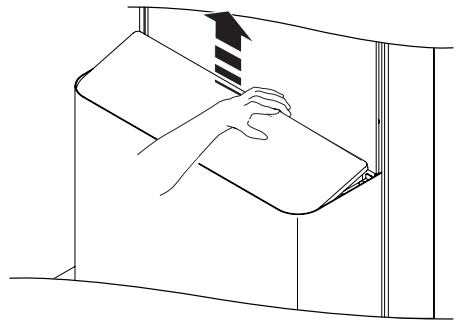


3.3



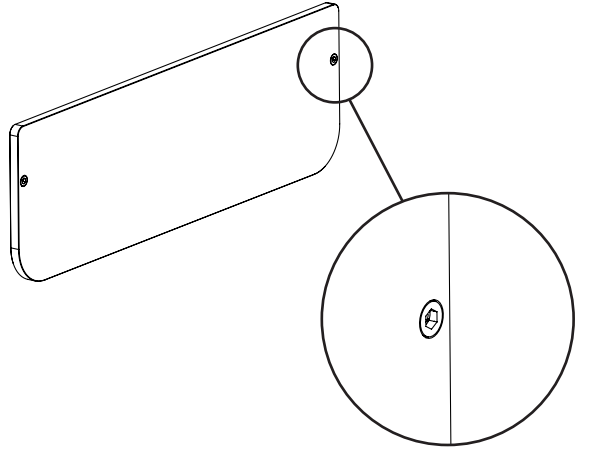
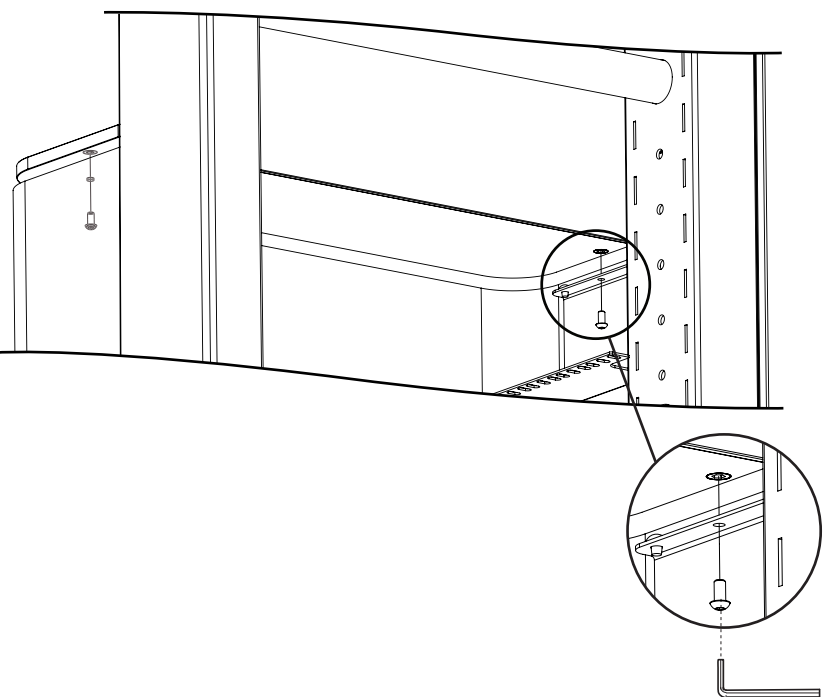
3.4

TO REMOVE THE TOP COVER



3.5

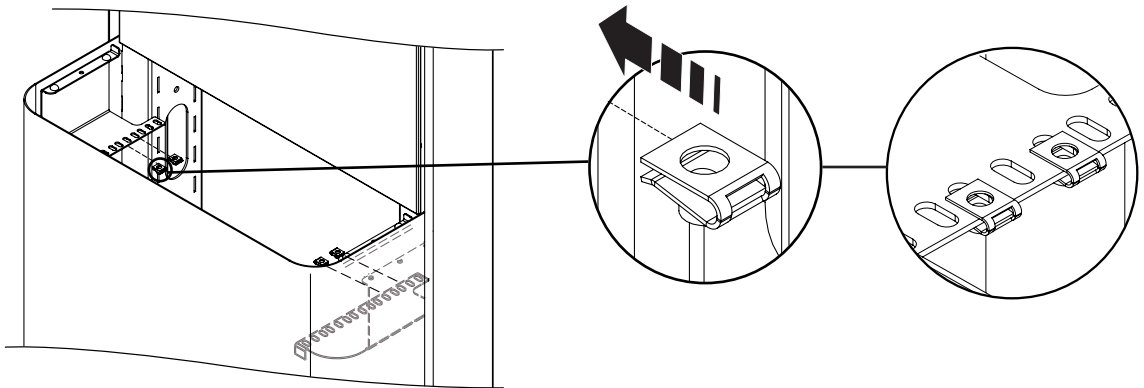
(OPTIONAL) SECURITY FIXING OF TOP COVER



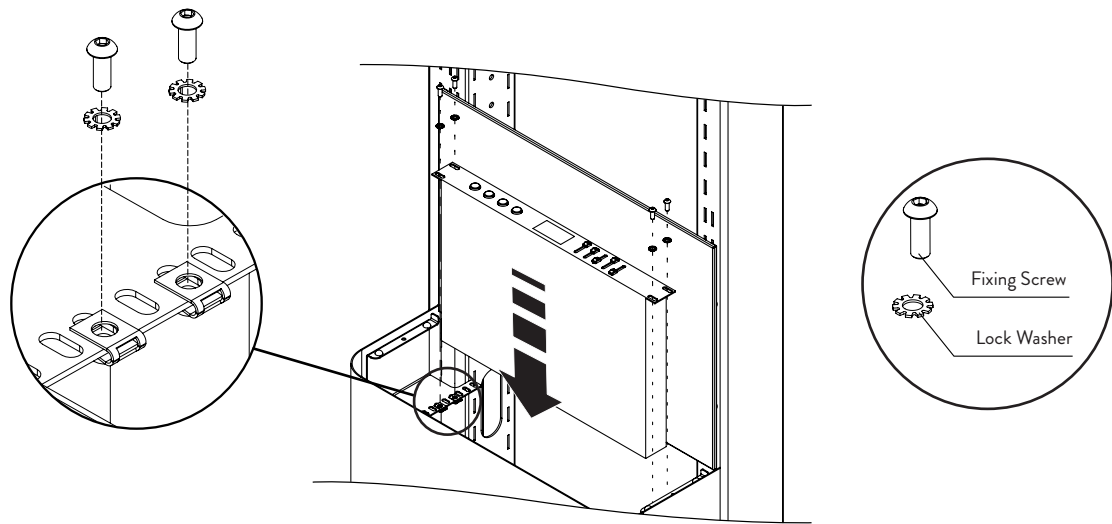
Threaded inserts in underside of top cover permit fixing using security screws provided

 SEE SECTION  FOR REMOVAL OF TOP COVER IF REQUIRED

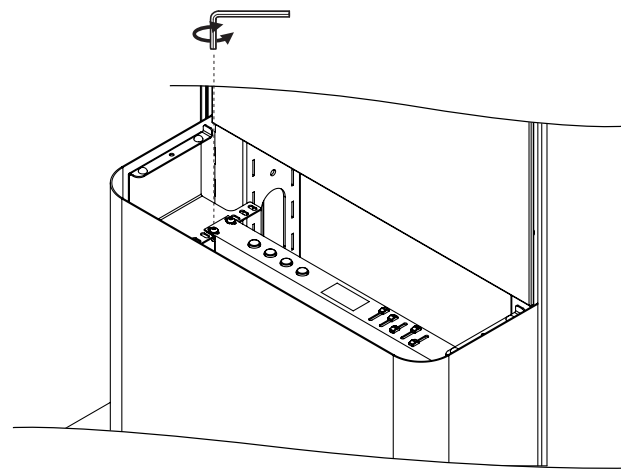
4.1 INSTALL CAPTIVE NUTS



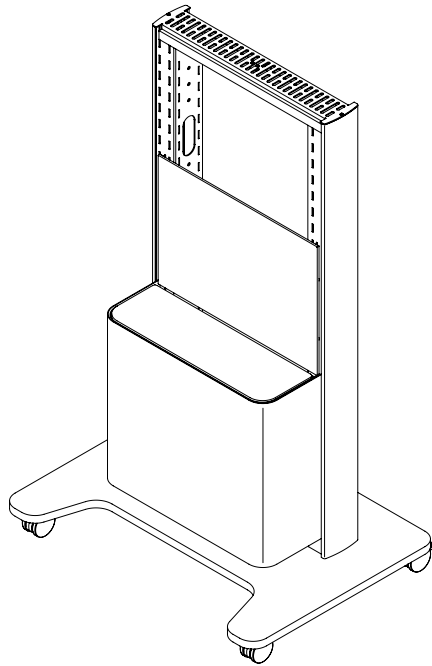
4.2 INSTALL 19" RACK EQUIPMENT



4.3 FIX EQUIPMENT IN PLACE



 SEE SECTION  FOR REFITTING OF TOP COVER



INSTALLATION IS NOW COMPLETE



PLEASE CONSIDER LEAVING THESE INSTRUCTIONS WITH THE UNIT
IF FURTHER INSTALLATION MAY BE REQUIRED BY OTHERS

