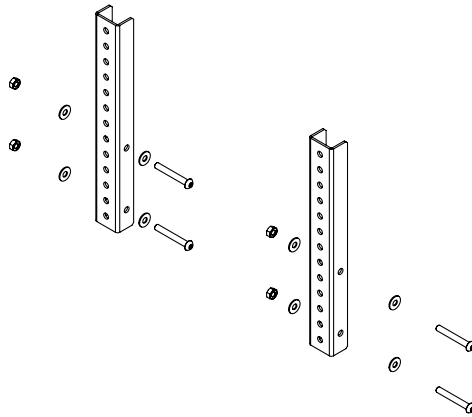






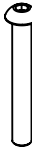


# Installation Instructions for AV/VC One VESA Extension Kit

## AVS/021/EXT1



REFER ALSO TO MAIN  
INSTRUCTIONS FOR AV/VC  
ONE STAND INSTALLATION



PARTS INCLUDED:		AVS/021/EXT1						
		Extension Rails		Fixing screw (x4)		Fixing nut (x4)		Washer (x8)

### ⚠ WARNING

- Single screen installation: 80" max size. 60kg (132lbs) max weight.
- Dual screen installation: 65" max size. 60kg (132lbs) max weight.
- Use with products heavier than the maximum weights indicated may result in instability causing possible injury.
- Correct installation is essential to safe and reliable operation of the AV/VC One product and falls outside the scope of responsibility of Colebrook Bosson Saunders. Please follow assembly instructions carefully.
- Do not use this product for any purpose other than that for which it was designed.
- Ensure that floor or wall surface is strong enough to support the weight of the fully-loaded AV/VC One and that the floor surface is flat and level.
- Do not install AV/VC One outdoors or in environments where it will be directly exposed to moisture or highwinds.
- Follow the manufacturer's guidance for mounting of monitors, displays and other equipment.
- Please take care to avoid trapping fingers when installing or adjusting the product.

### ⚠ ELECTRICAL SAFETY

- Safe installation of electrical equipment is the responsibility of the installer.
- Colebrook Bosson Saunders recommends that only double-insulated electrical equipment and cables are installed in AV/VC One unit.

### ⚠ MAINTENANCE AND INSPECTION

- Ensure all screws and fixings are fully tightened and occasionally re-tighten if necessary.
- Clean with a dampcloth. DO NOT use solvents.

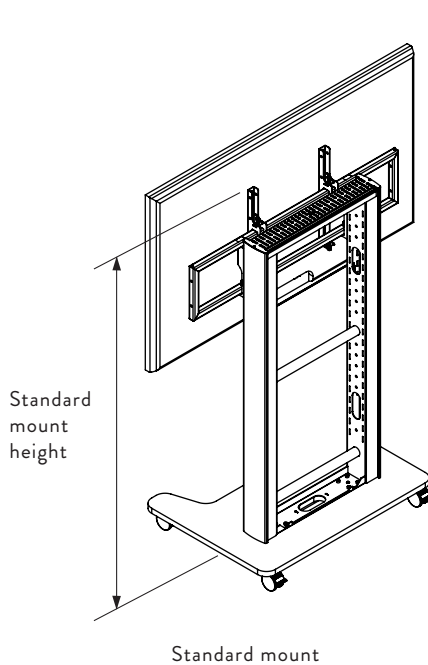
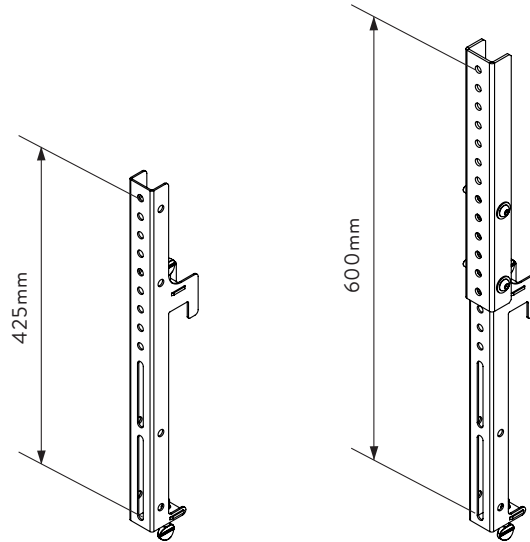
### ⚠ DISCLAIMER

As part of Colebrook Bosson Saunders ongoing product improvement programme, the design of products may change without prior notice and details may vary from those illustrated.

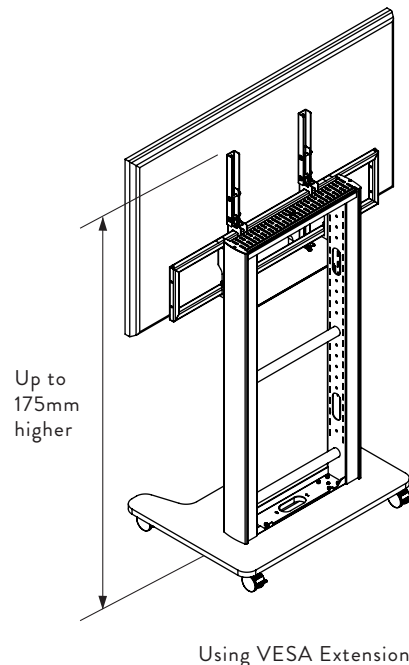


The VESA extensions increase the capacity of the standard screen mount to permit:

- Mounting screens higher on the AV/VC One stand
- Mounting screens with a larger VESA size



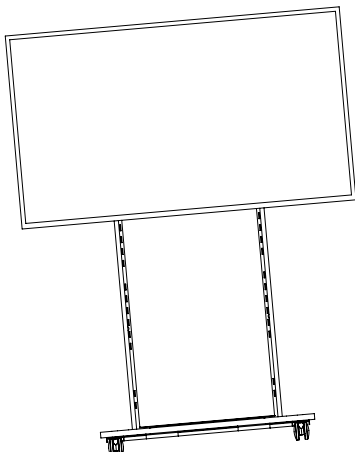
Standard mount



Using VESA Extensions



## IMPORTANT SAFETY NOTE



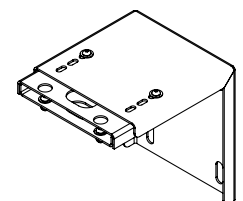
## IMPORTANT NOTE

Using the VESA Extensions to mount higher or larger screens may adversely affect the stability of the AV/VC One stand.

In this case AV/VC One must be provided with additional stabilising support by fixing it to the wall (or other building structure) using the AV/VC One Wall Brace Kit.

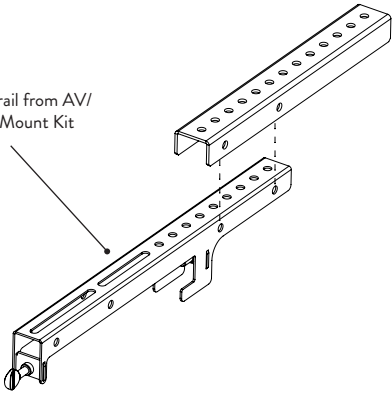
Note that maximum screen weight limits still apply, regardless of screen size.

AV/VC One - Wall Brace Kit  
AVS/021/WBK1

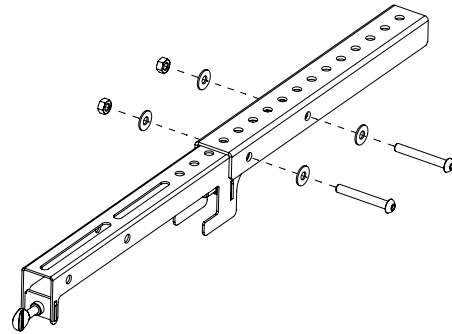


## 1.1 ASSEMBLE EXTENSIONS TO STANDARD VESA RAILS

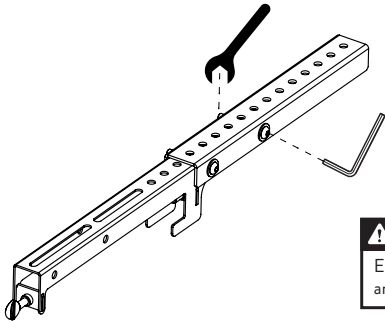
Standard VESA rail from AV/VC One Screen Mount Kit AVS/021/SMK1



## 1.2 ASSEMBLE FIXINGS

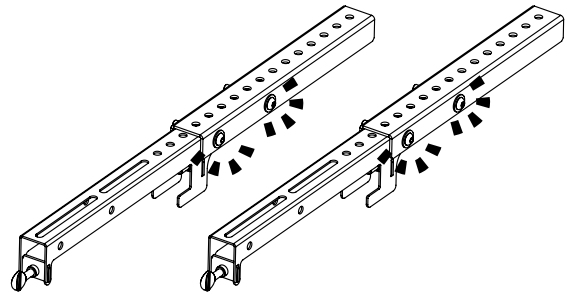


## 1.3 FULLY TIGHTEN FIXINGS



**IMPORTANT NOTE**  
Ensure both fixings are fully tightened

## 1.4 REPEAT FOR BOTH VESA RAILS

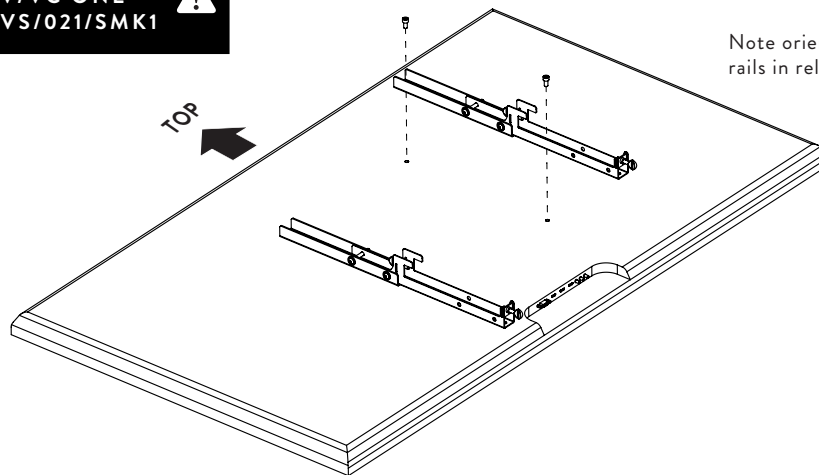


# Fix VESA rails to screen

**REFER ALSO TO INSTALLATION INSTRUCTIONS FOR AV/VC ONE SCREEN MOUNT KIT AVS/021/SMK1**

TOP

**IMPORTANT NOTE**  
Choose fixings and hole positions to suit screen and preferred mounting height



Note orientation of VESA rails in relation to screen

INSTALLATION IS NOW COMPLETE



PLEASE CONSIDER LEAVING THESE INSTRUCTIONS WITH THE UNIT IF FURTHER INSTALLATION MAY BE REQUIRED BY OTHERS

