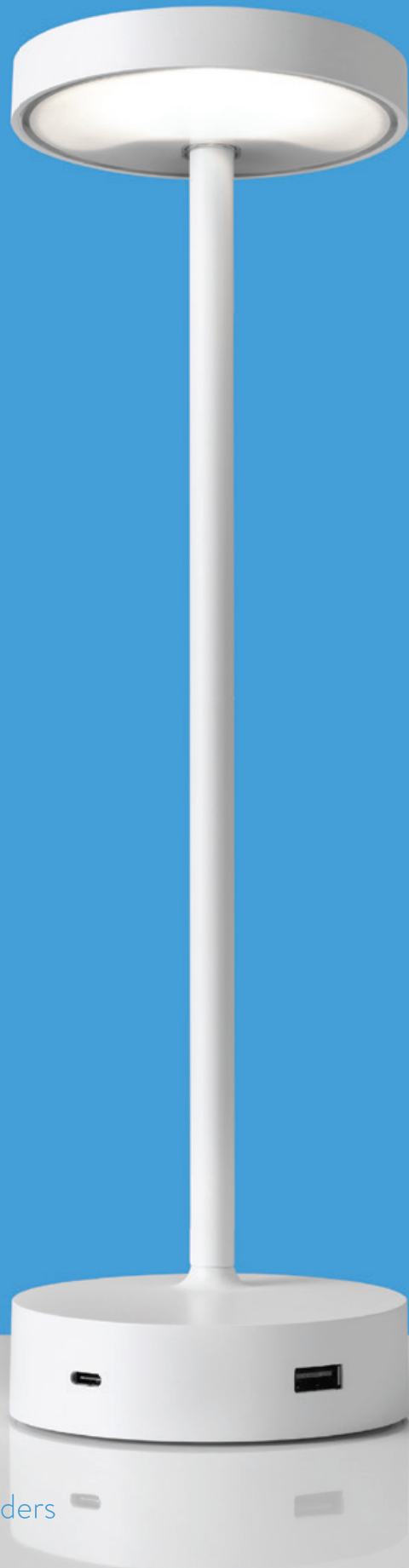
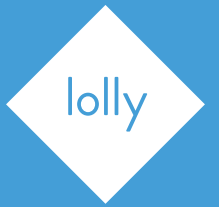


Welcome
to Lolly.





Lolly is a personal desk light that gives power to the user through its integrated USB type A and type C ports, offering convenient charging for personal devices.



THE DESK LIGHT THAT'S IN CHARGE

Lolly's head can be angled to illuminate areas of focus, and because different tasks have different asks, there is a four-stage dimmer to enable variation in brightness.

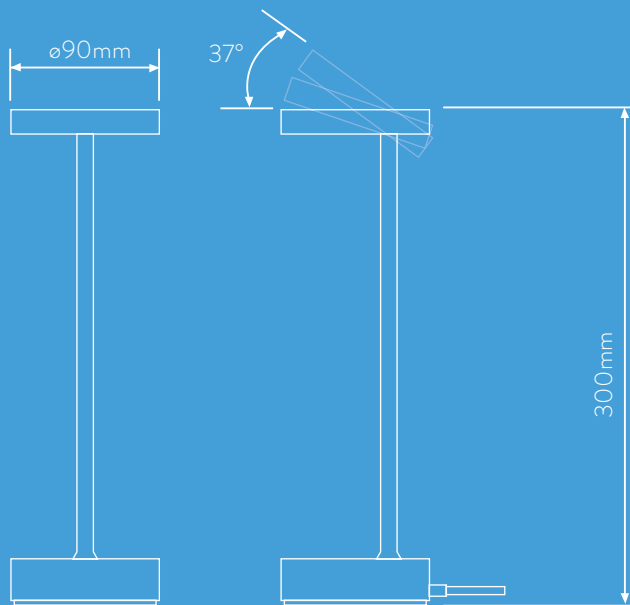
USB C - THE FUTURE

One of the first lights on the market to offer USB type C charging, Lolly is a ray in the new dawn of electronic devices. As technology providers embrace USB type C on their latest smartphones and laptops - start saying goodbye to that bulky laptop transformer - Lolly will future proof the work space and help charge this new wave of technology.

FEATURES AND FLAIR

With an element that enhances longevity by conducting heat away from the cool white LEDs, and automatic power down after four hours of inactivity, Lolly shines for an impressive 50,000 hours of use. A long cable allows for practical manoeuvring around the desk. And the way Lolly has been manufactured allows for its plastic, aluminium and zinc components to be recycled with ease.





OVERVIEW

- USB Ports: 1x Type A and 1x Type C
- Light control: Touch on/off, and four stage dimming
- Powersave: Automatically switches off after four hours of inactivity
- Light output: 426 lumen, 4-stage dimmable.
- Colour temperature: 4000K Cool White
- Beam angle: 115°
- Lifespan: 50,000+ hours



info@cbsproducts.co.uk
+44 (0)207 940 4266

www.colebrookbossonsaunders.com

 **colebrook bosson saunders**