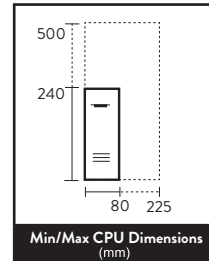
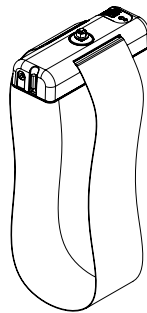




Installation Instructions for Loop CPU holder

CPU/012



PARTS INCLUDED: CPU/012

- Allen Key
- Loop CPU Holder
- M8 Locknut
- Keyed metal washer
- Nylon washer

CPU DESK FITTING SUPPLIED SEPERATELY

- CPU holder bracket UNI/ROT**
- CPU holder 350mm Slide&rotate UNI/SR350** (includes: slider, rail, plastic slider stop, rubber stopper, washer, screw)
- CPU holder 520mm Slide&rotate UNI/SR520**

⚠ WARNING

- Ensure desk is suitable to take the weight of the CPU holder and CPU.
- Do not use this product for any purpose other than that for which it was designed.
- Hold the CPU tightly when making adjustments.
- Care should be taken to avoid trapping fingers.
- Do not dismantle or modify the CPU cradle.
- Supported weight must not exceed 20kg (44.1lb) per cradle.

⚠ MAINTENANCE AND INSPECTION

- Ensure all screws and fixings are fully tightened and occasionally re-tighten if necessary.
- Clean with a dampcloth. DO NOT use solvents.

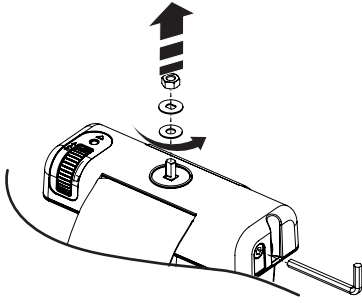
⚠ DISCLAIMER

- The use of power tools, lever bars or excessive force during the installation, or reconfiguration of the product will invalidate your guarantee.
- Failure to observe the recommendations in the use, and configuration of these products may affect your guarantee.
- As part of Colebrook Bosson Saunders ongoing product improvement programme, the design of products may change without prior notice and details may vary from those illustrated.

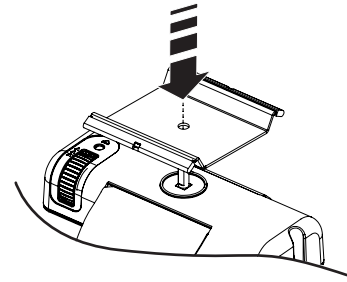
PATENTS

Colebrook Bosson Saunders hold a number of patents and other intellectual property rights covering our products and processes. You can find patent information on our website at: www.colebrookbossonsaunders.com/patents

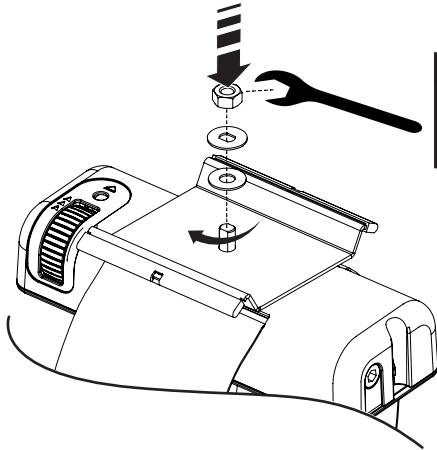
1 REMOVE ALLEN KEY, NUT AND WASHERS FROM LOOP CPU HOLDER



2 TAKE SLIDER FROM CPU FIXING KIT (ORDERED SEPARATELY) AND FIT INTO POSITION

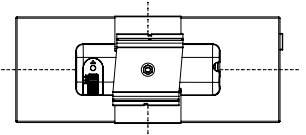
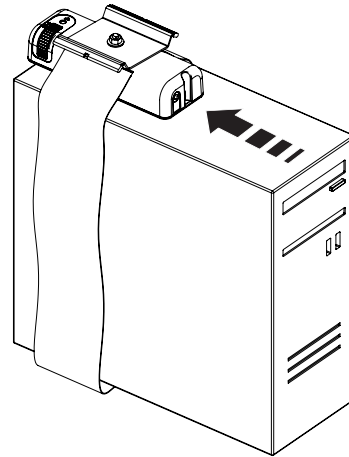


3 TIGHTEN WASHER AND LOCK NUT ONTO PIN



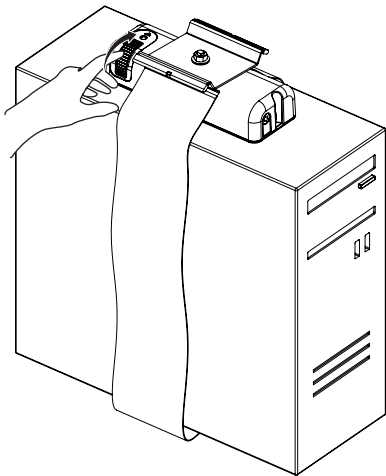
IMPORTANT NOTE
Ensure nut is fully tightened (6nm recommended minimum torque)

4 SLIDE CPU INTO THE LOOP

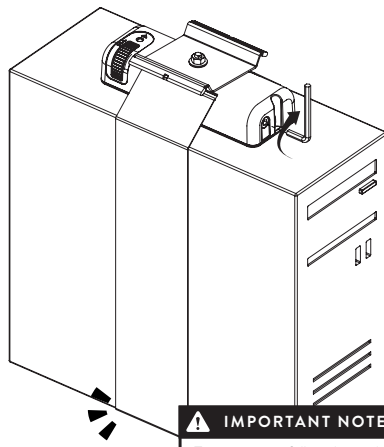


IMPORTANT NOTE
Moulding should be positioned in the centre of the CPU

5 ROLL RATCHET WHEEL TO TIGHTEN STRAP TO CPU

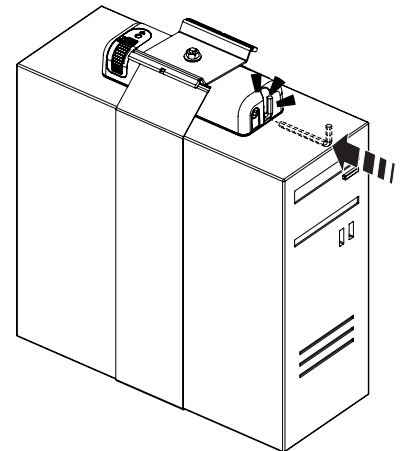


6 ADDITIONAL TIGHTENING REQUIRED USING ALLEN KEY PROVIDED



IMPORTANT NOTE
Ensure strap is fully tightened

7 PLACE ALLEN KEY INTO STORAGE HOLE

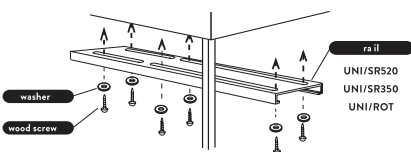


8 MOUNTING CPU FIXING KIT TO DESK

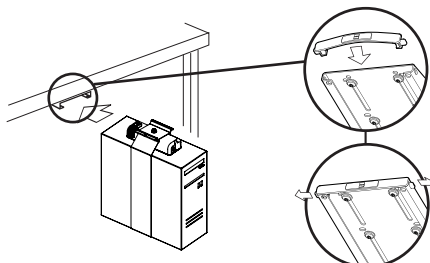
8A Make sure the CPU will be able to rotate from side to side



8B Screw your chosen mount rail securely to the underside of the desk using screws provided



8C Slide the Loop into the rails then insert the plastic slider stop



9 [OPTIONAL] TO REMOVE LOOP

Unmount CPU from desk following reverse procedure from step 8c

Use tool to push down on release button and hold whilst pulling strap downwards

