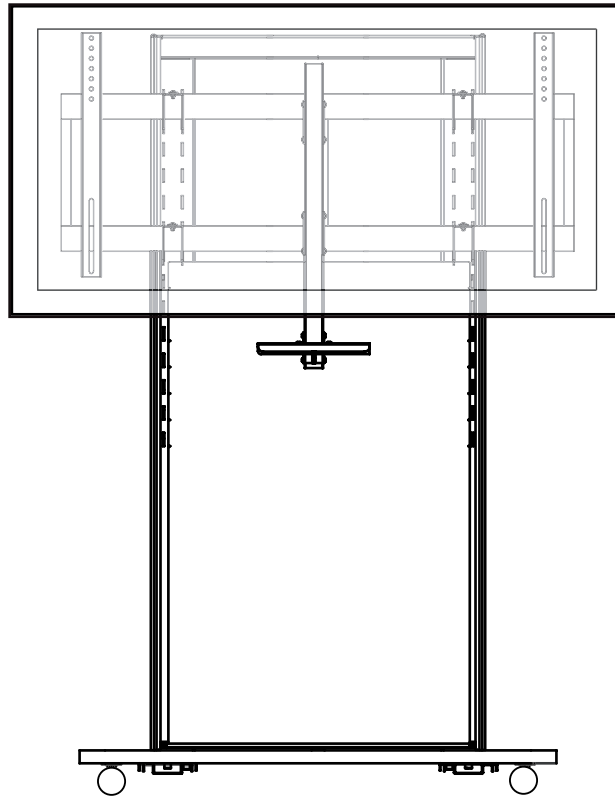


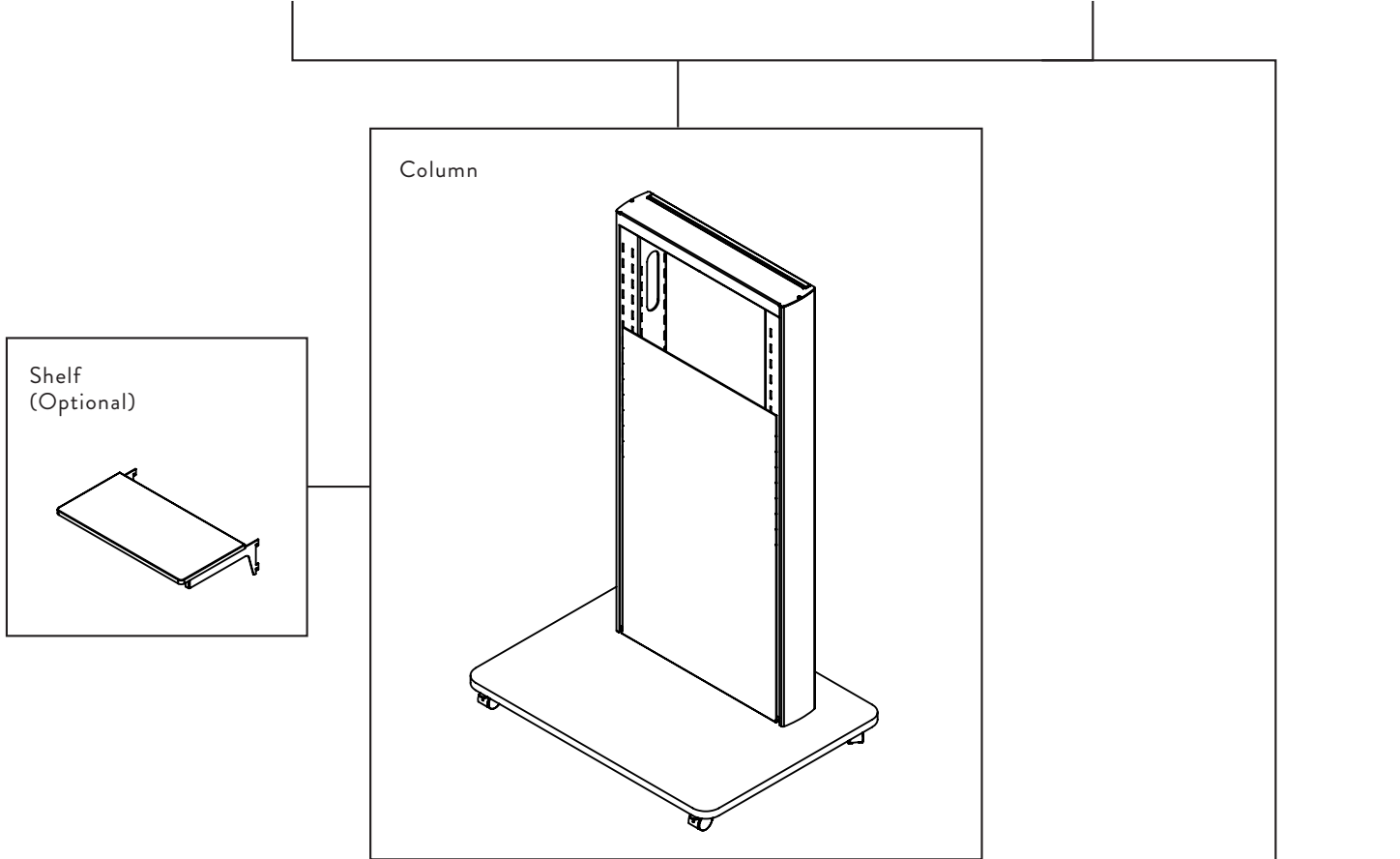
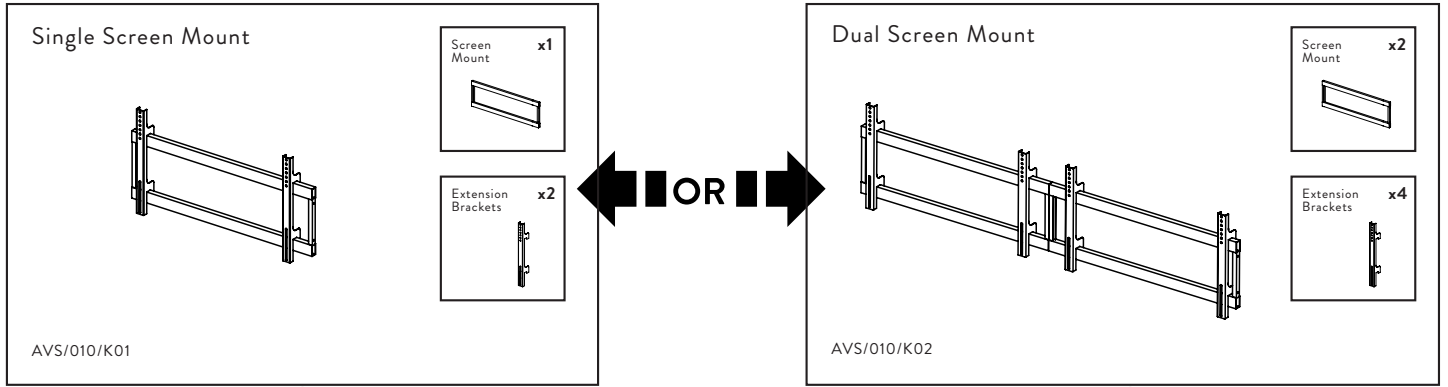
Audio visual solutions

Installation instructions for video conference stand

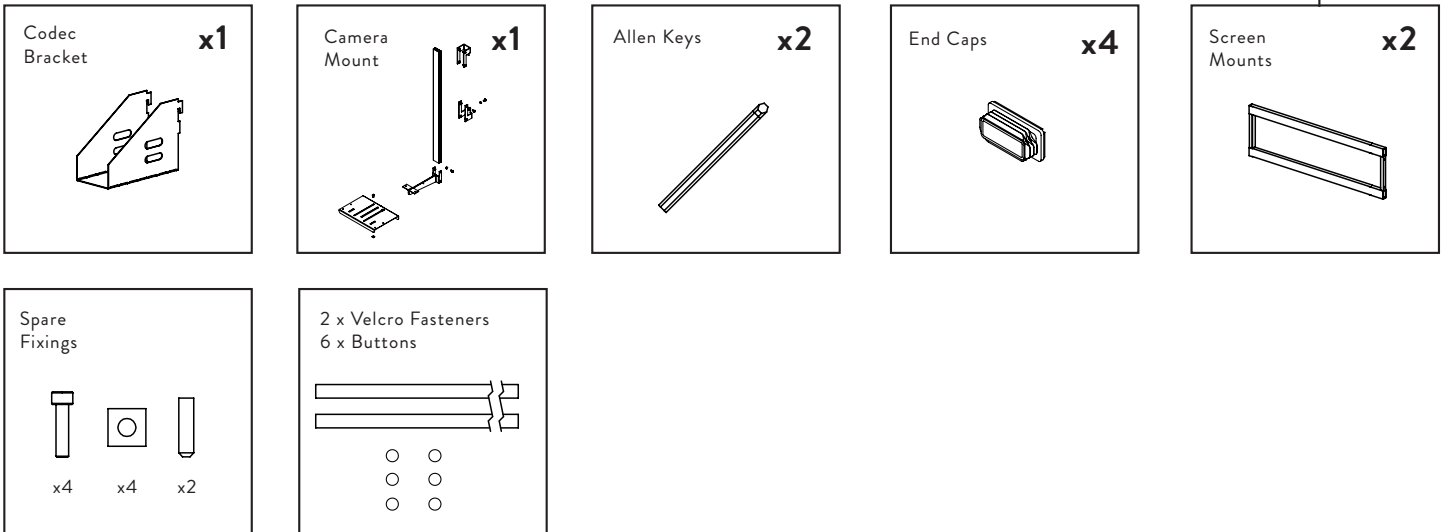


AVS-010-INST - C AUG 2013

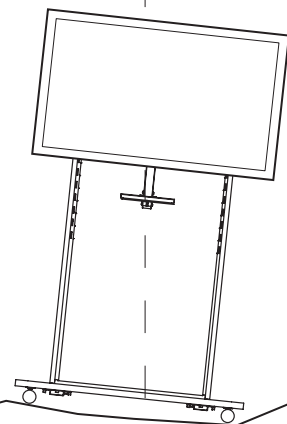
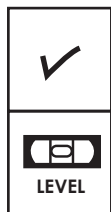
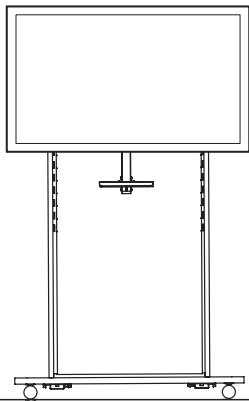
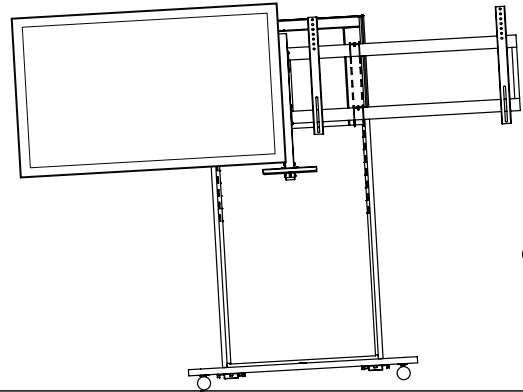
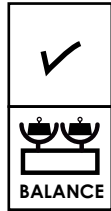
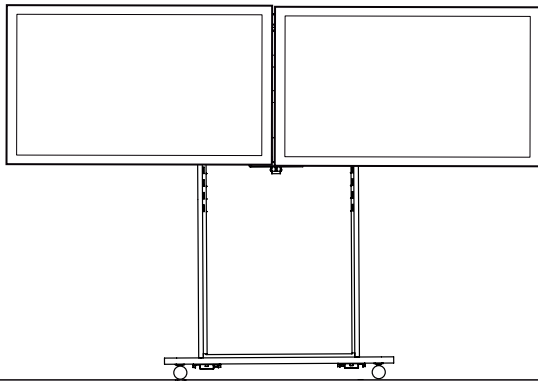
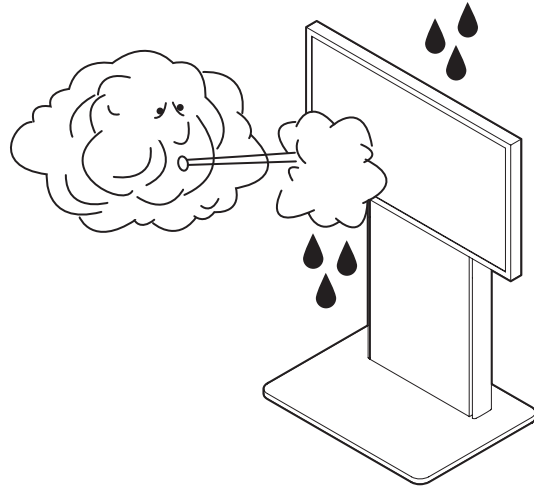
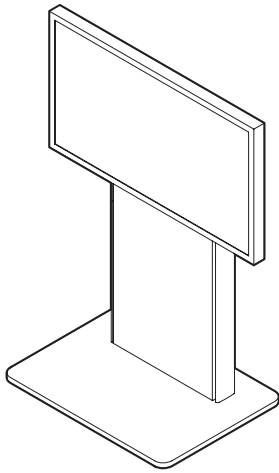
CBS VCALL SYSTEM



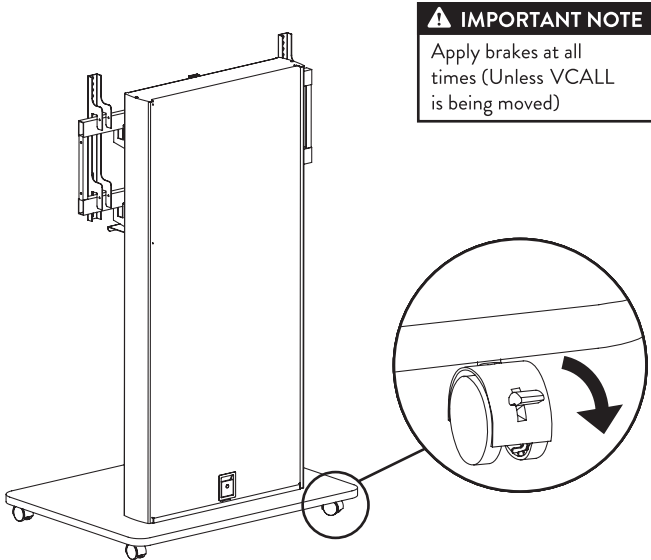
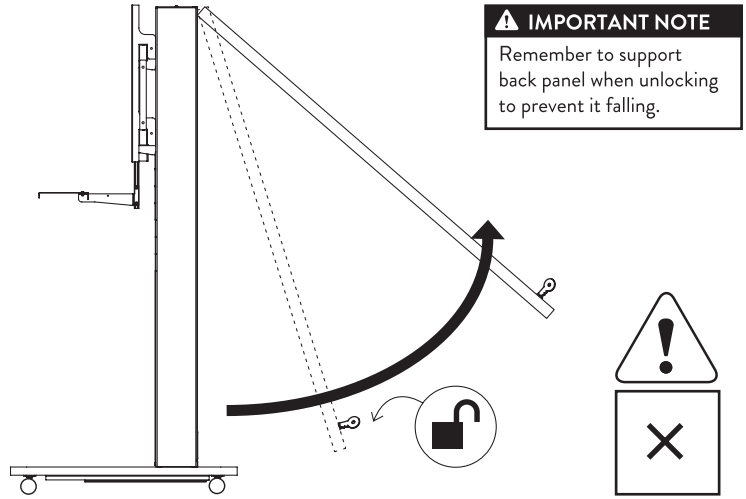
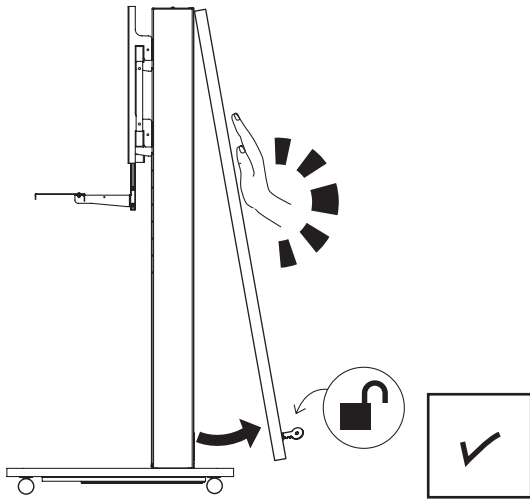
INCLUDED COMPONENTS



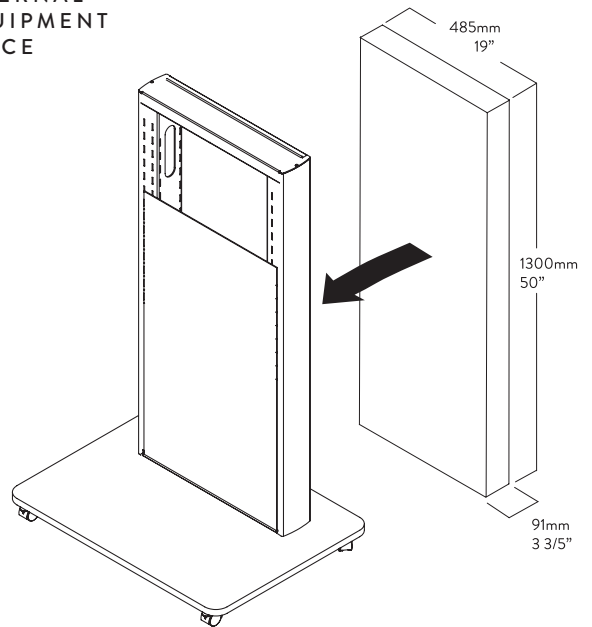
⚠ SOME IMPORTANT PRECAUTIONS



⚠ SOME IMPORTANT PRECAUTIONS



INTERNAL EQUIPMENT SPACE



⚠ WARNING

- Total weight of installed equipment must not exceed 120kg/264lb, symmetrically distributed.
- Use with products heavier than the maximum weights indicated may result in instability causing possible injury.
- Correct installation is essential to safe and reliable operation of the VCALL product and falls outside the scope of responsibility of Colebrook Bosson Saunders. Please follow assembly instructions carefully.
- Do not use this product for any purpose other than that for which it was designed.
- Ensure that floor or wall surface is strong enough to support the weight of the fully-loaded VCALL and that the floor surface is flat and level.
- Do not install VCALL outdoors or in environments where it will be directly exposed to moisture or highwinds.
- Follow the manufacturer's guidance for mounting of monitors, displays and other equipment.
- Please take care to avoid trapping fingers when installing or adjusting the product.

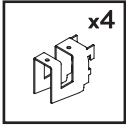
⚠ ELECTRICAL SAFETY

- Safe installation of electrical equipment is the responsibility of the installer.
- Colebrook Bosson Saunders recommends that only double-insulated electrical equipment and cables are installed in VCALL unit.

⚠ MAINTENANCE AND INSPECTION

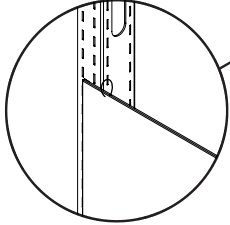
- Ensure all screws and fixings are fully tightened and occasionally re-tighten if necessary.
- Clean with a dampcloth. DO NOT use solvents.

1 INSTALL SCREEN MOUNT BEAM BRACKETS

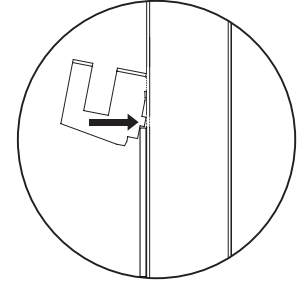
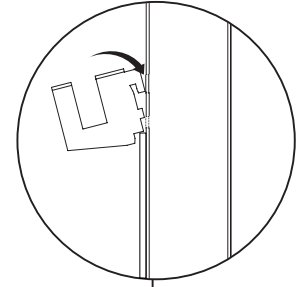
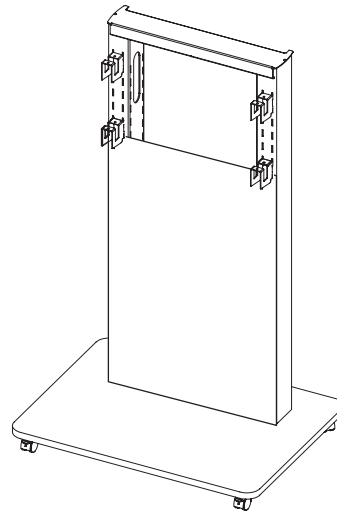
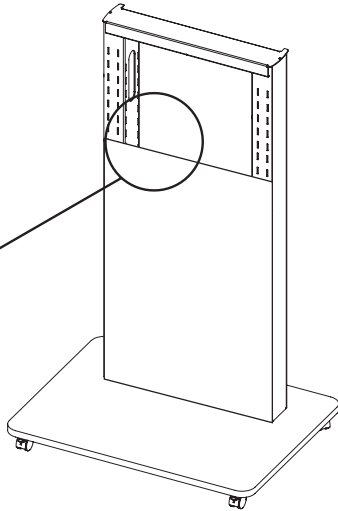


Always use all 4 beam brackets

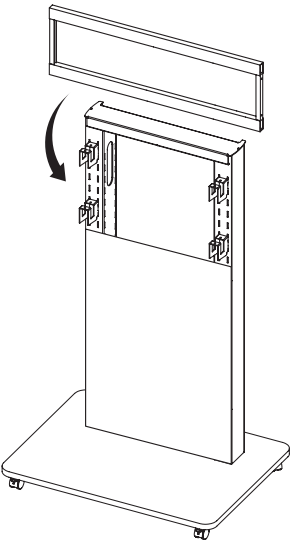
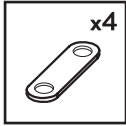
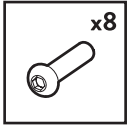
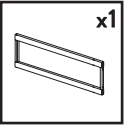
IMPORTANT NOTE
Ensure brakes are locked during assembly/installation.



Unless panel needs to be removed, leave zip tie in place during installation



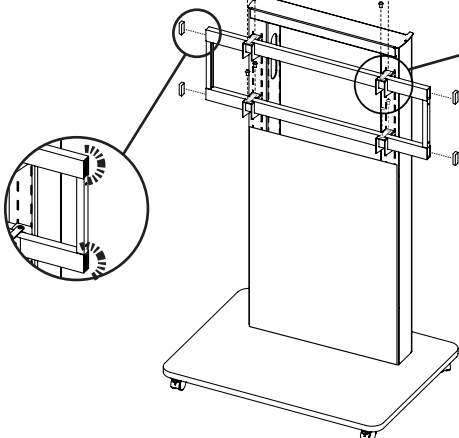
2 INSTALL THE **SINGLE** SCREEN MOUNT



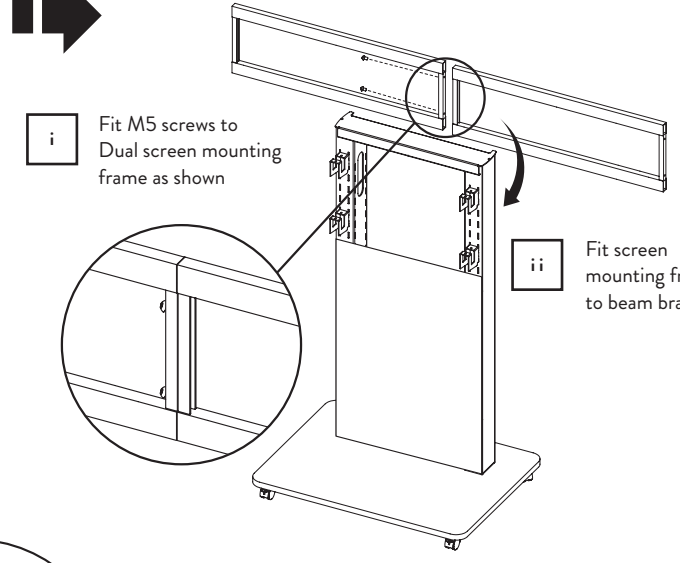
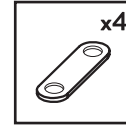
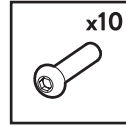
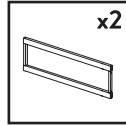
i Fit screen mounting frame to beam brackets

ii Fit 8 x M5 screws and tighten

iii Insert End Caps



3 INSTALL THE **DUAL** SCREEN MOUNT



i Fit M5 screws to Dual screen mounting frame as shown

ii Fit screen mounting frame to beam brackets

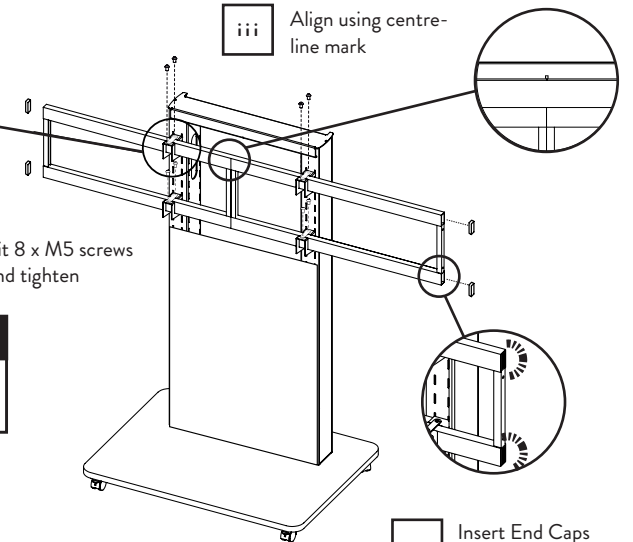
iii Align using centre-line mark

iv Fit 8 x M5 screws and tighten

USE ALL 8 M5 SCREWS
Secure screen mounting frame using locking plate.

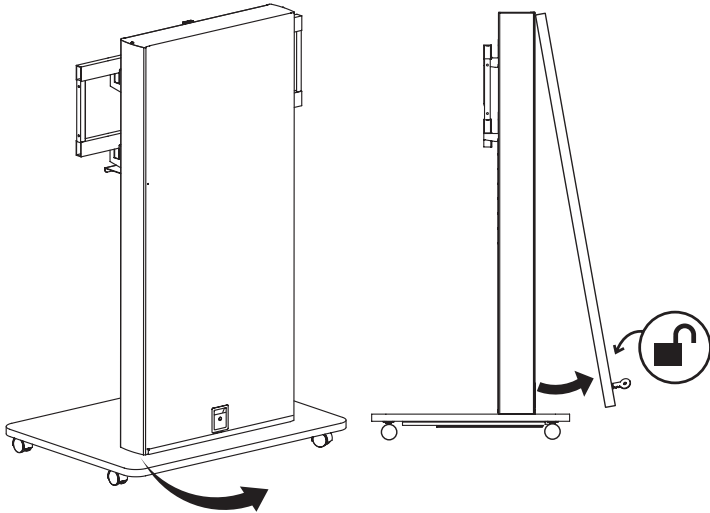


v Insert End Caps



4

REMOVE THE BACK PANEL

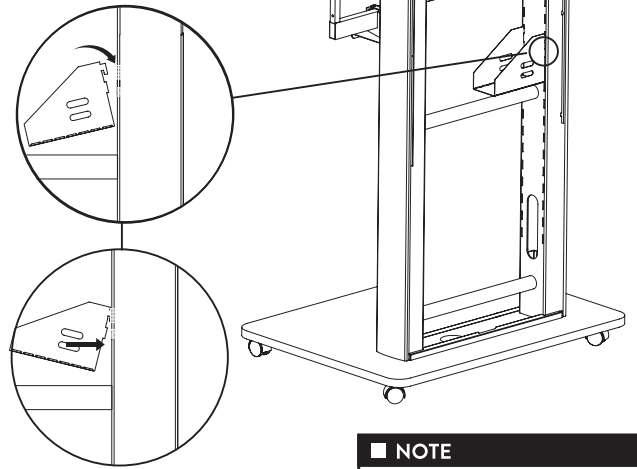
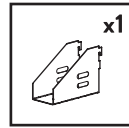


⚠ IMPORTANT NOTE

Remember to support the back panel when unlocking to prevent it falling.

5

INSTALL CODEC MOUNT

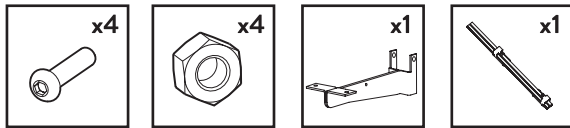


■ NOTE

The Codec can be installed in any position, on the left or right.

6

INSTALL THE CAMERA MOUNT ARM

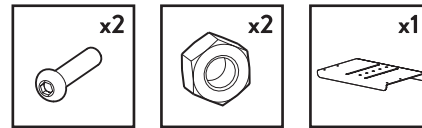


⚠ IMPORTANT NOTE

Ensure the Arm faces the opposite direction to the mounting extrusion brackets.

7

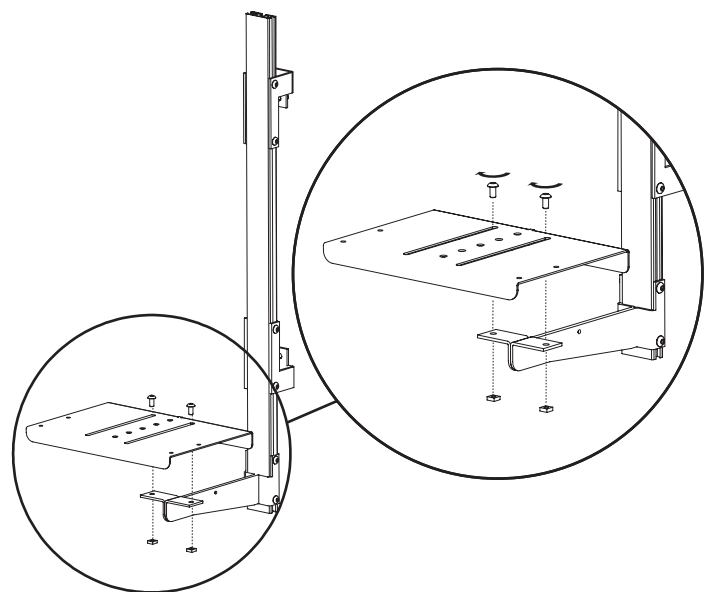
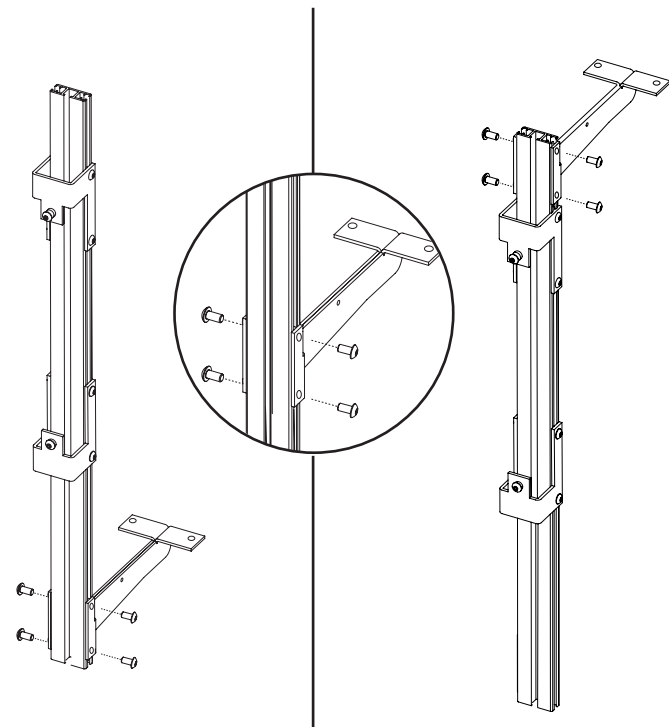
INSTALL THE CAMERA MOUNT PLATFORM



Camera mounting arm below screen



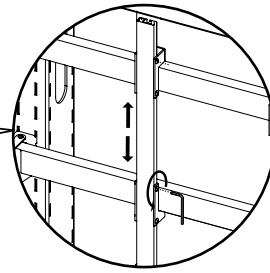
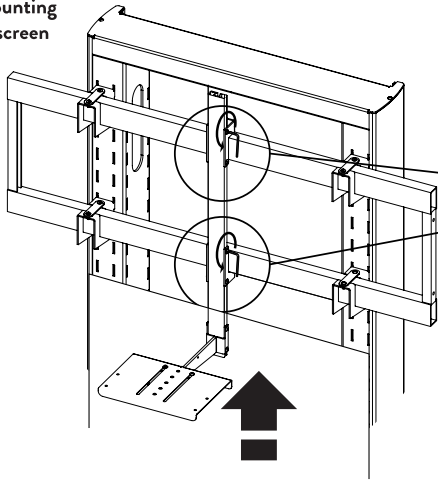
Camera mounting arm above screen



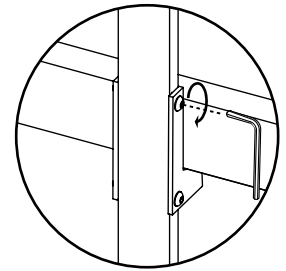
⚠ IMPORTANT NOTE

Tighten M5 bolts once camera has been mounted as required.

Camera mounting arm below screen



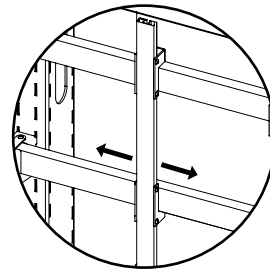
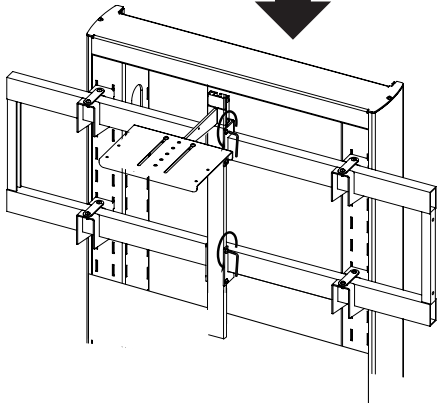
Loosen all 8 bolts from step 3 to adjust vertical position



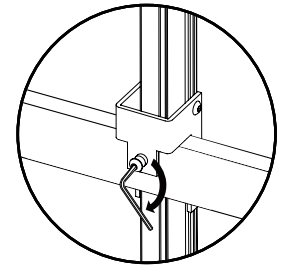
Tighten all 8 bolts to secure camera mount assembly in vertical position

Camera mounting arm above screen

OR



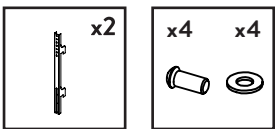
Slide camera mount assembly to desired horizontal position



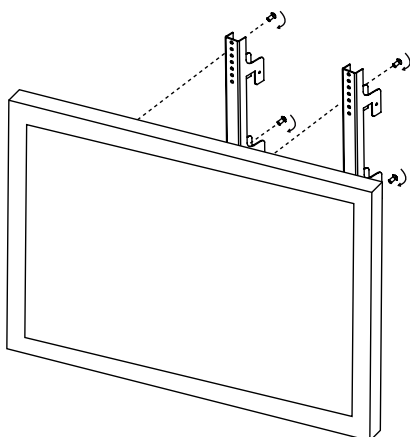
Tighten both grub screws to secure

ATTACH SCREEN MOUNT BRACKETS

Per screen

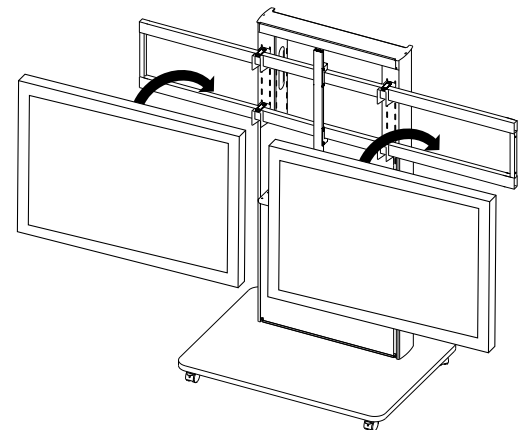
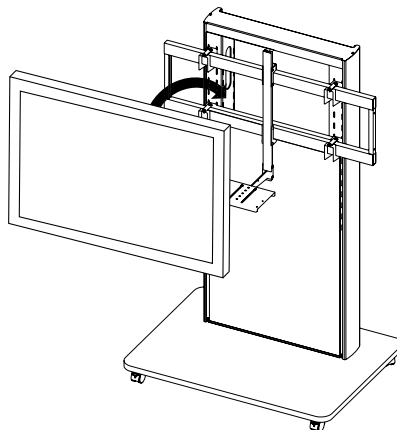


Attach the screen brackets to the back of your chosen screen(s).



HANG SCREEN DIRECTLY ONTO MOUNTING FRAME

Once the brackets have been affixed to the screen, the whole fixing can be lifted and hung on the screen mounting beam.



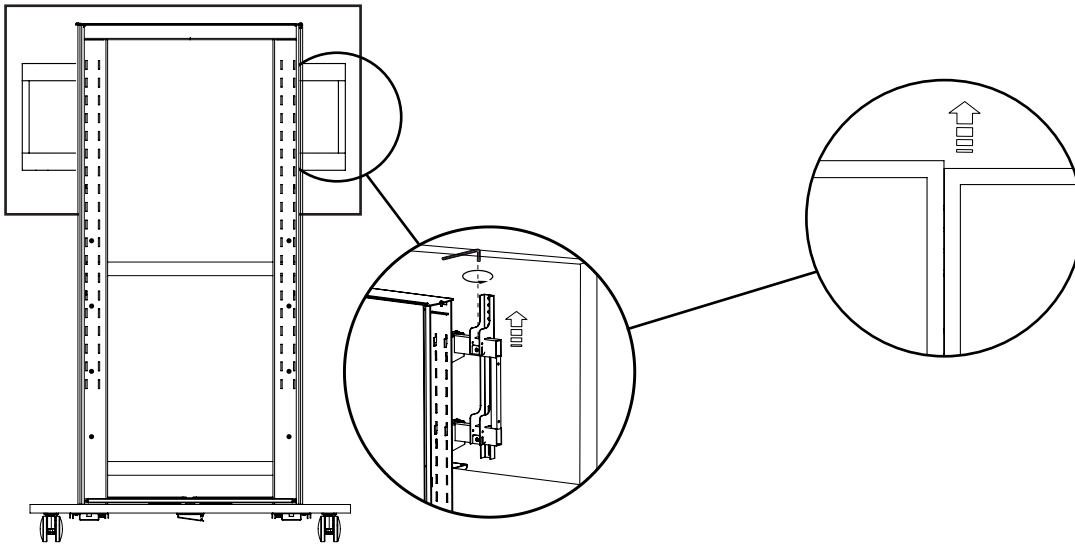
WARNING

Heavy load

Support stand until both screens are mounted

2 people required to mount screens

If screens are not aligned vertically, adjust as required with 4mm Allen key

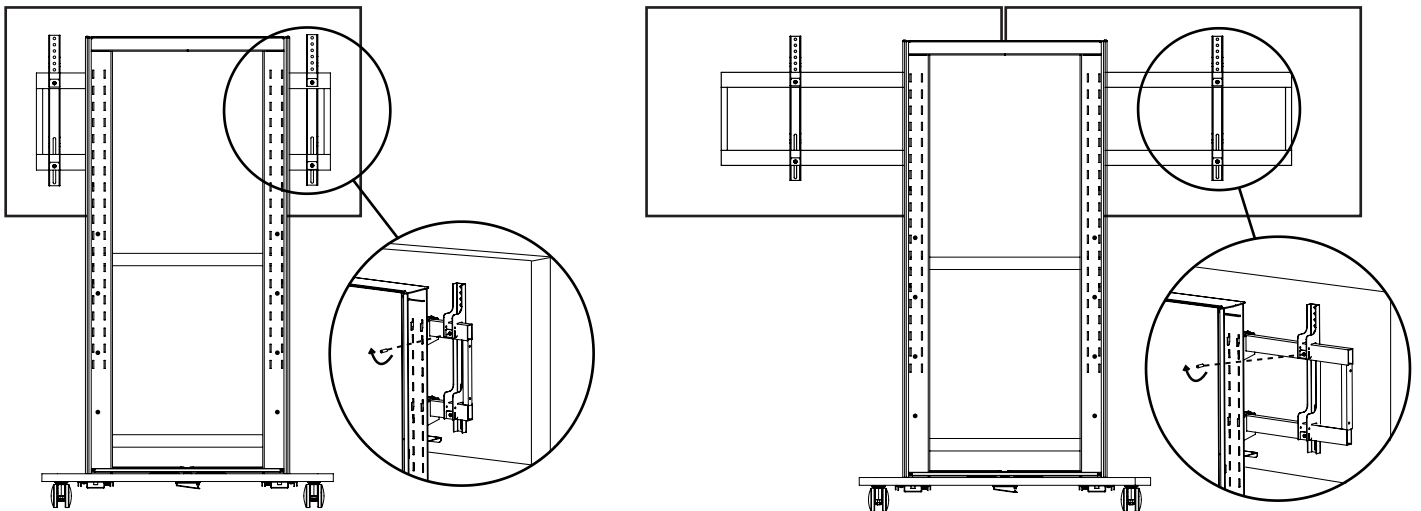


Clockwise to adjust downwards from bracket



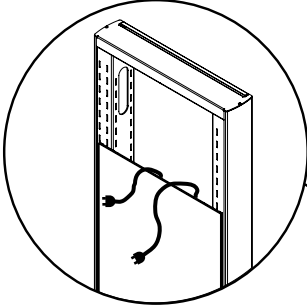
Anti-Clockwise to adjust upwards from bracket

Use screws provided

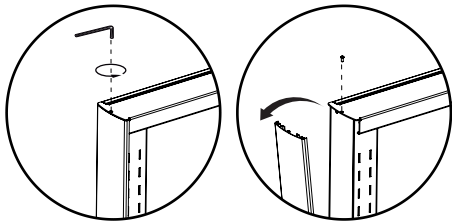


Due to the range of different technology solutions the Cable Management is optional. The CBS VCALL provides several solutions that can be used to suit your needs.

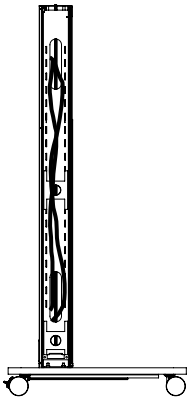
1A Feed cables out through the front of the unit



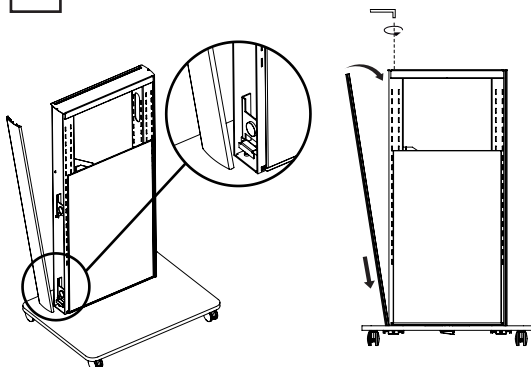
2A Release channel



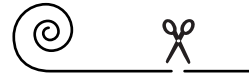
2B Feed cables through channel



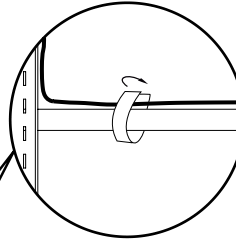
2C Ensure channel locates



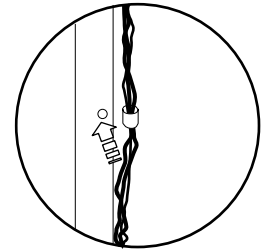
3A Cut velcro wraps to required length



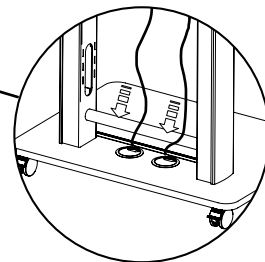
3B Use velcro wraps to attach to crossbar



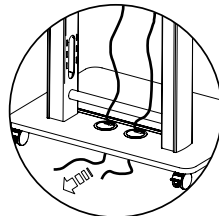
3C Use velcro to stick wraps to side of columns



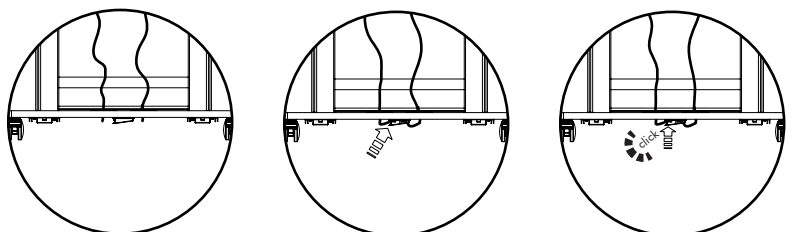
4A Pass cable through holes in base

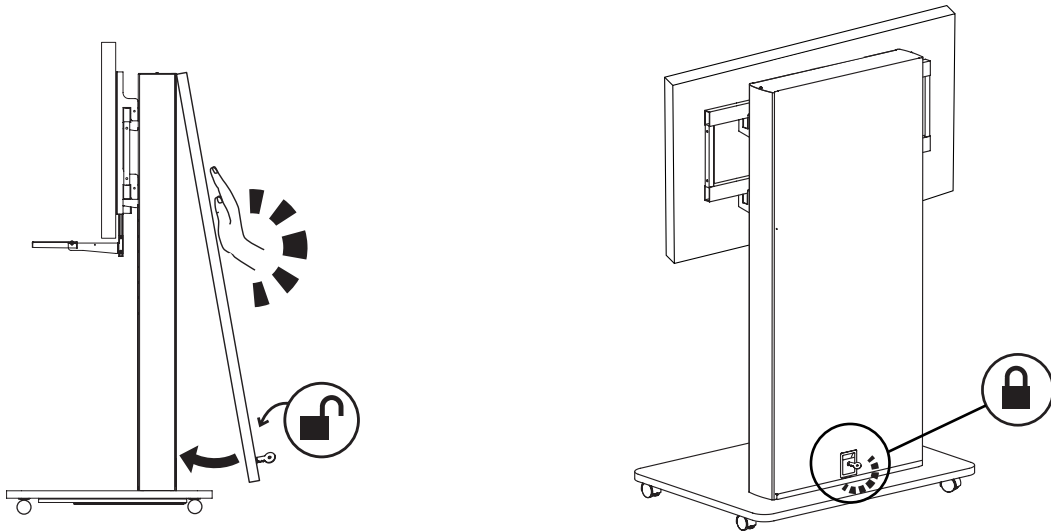


4B Pull cables clear of the base



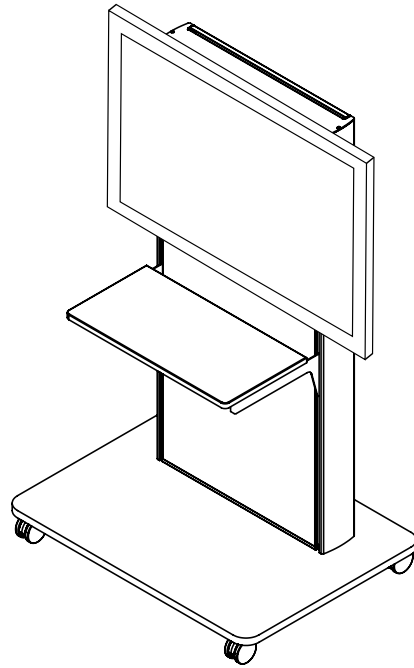
4C Clip cables into management clip underneath base to secure



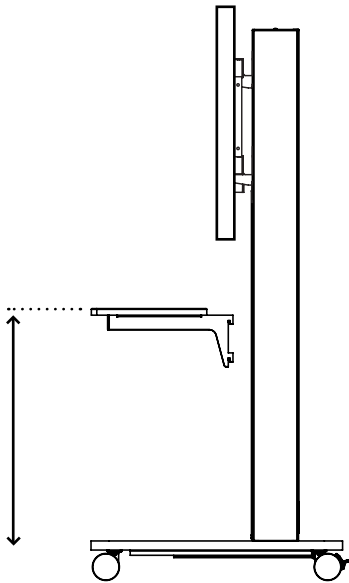
**⚠ IMPORTANT NOTE**

Remember to support the back panel when locking to prevent it falling.

INSTALLATION COMPLETE



i Pick the required height



ii Tilt and insert shelf into relevant slot

