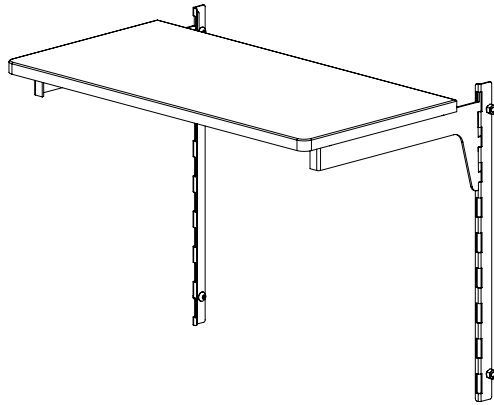




AVALL Shelf Kit

AVS/002/SLF

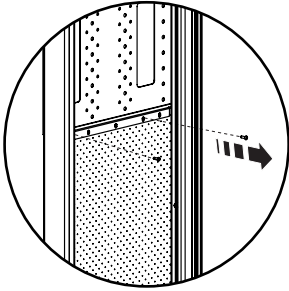


REFER ALSO TO MAIN INSTALLATION INSTRUCTIONS FOR AVALL STAND

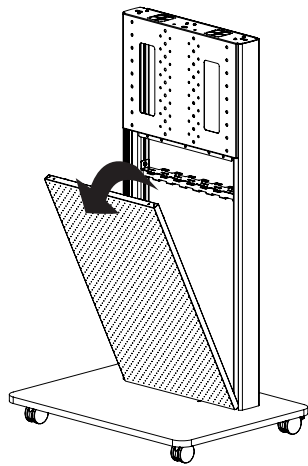
PARTS INCLUDED:		AVS/002/SLF	
	Shelf brackets		AVALL Shelf
	Ladder rails x2		M8 x 12mm screw x4
	M8 hex nut x4		M6 x 16mm screw x4

1 REMOVE AVALL FRONT PANEL

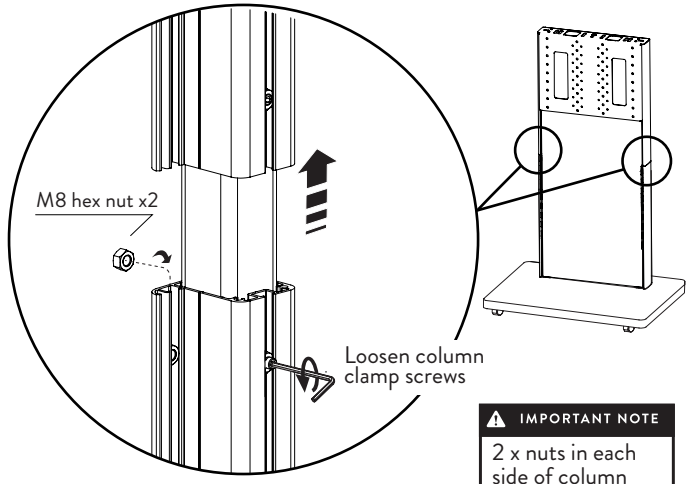
1A Remove fixing screws



1B Lift off front panel

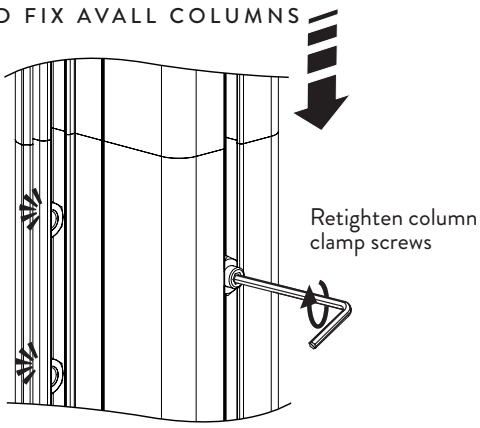


2 TEMPORARILY SEPARATE AVALL COLUMNS AND INSERT MOUNTING NUTS IN CHANNEL



IMPORTANT NOTE
2 x nuts in each side of column

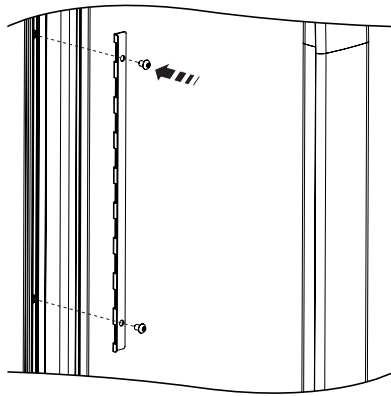
3 RECONNECT AND FIX AVALL COLUMNS



4

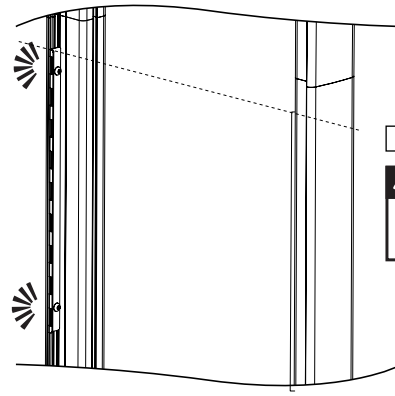
FIX LADDER RAILS TO NUTS IN COLUMN

4 A



1 x ladder rail
on each side
of column

4 B



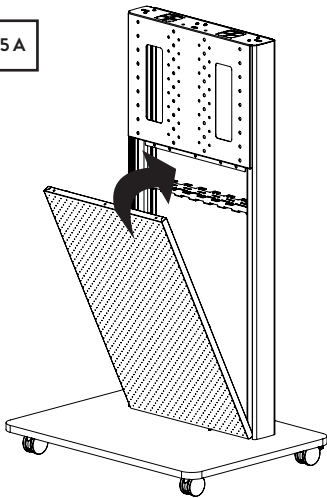
IMPORTANT NOTE

Ensure ladder
rails are level

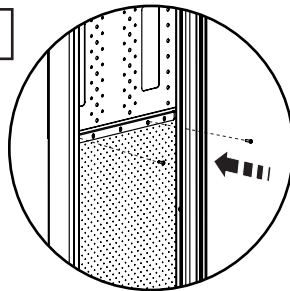
5

REFIT AVALL FRONT PANEL

5 A



5 B

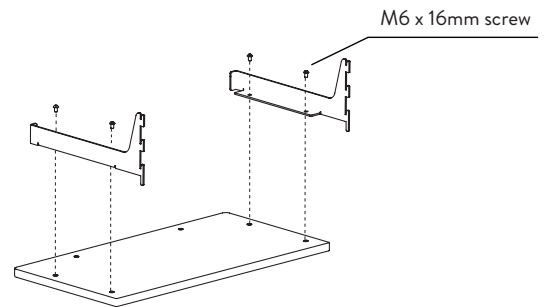


Install fixing screws

6

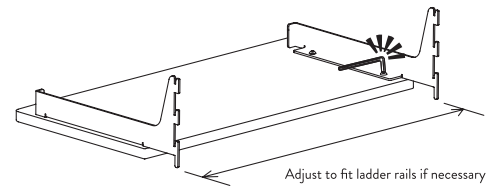
ASSEMBLE SHELF

6 A



M6 x 16mm screw

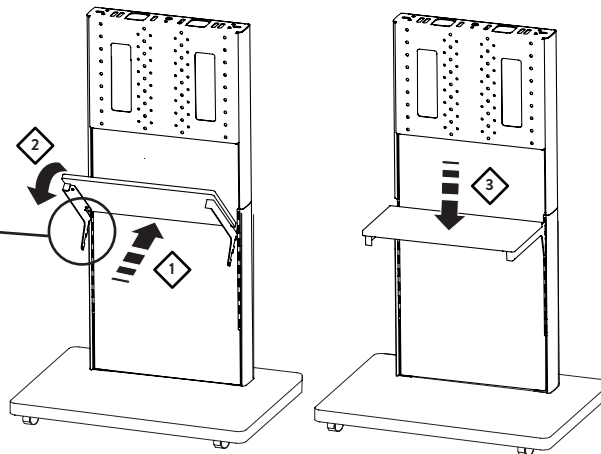
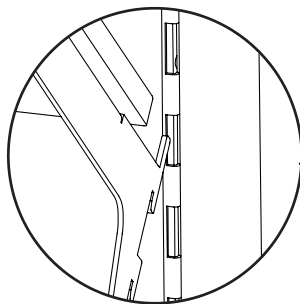
6 B



Adjust to fit ladder rails if necessary

7

INSTALL SHELF



IMPORTANT NOTE

Ensure Shelf is fully located
in ladder rails.



WARNING

- Do not install equipment heavier than 25kg/55lb.
- Use with products heavier than the maximum weights indicated may result in instability causing possible injury.
- Correct installation is essential to safe and reliable operation of the AVALL product and falls outside the scope of responsibility of Colebrook Bosson Saunders. Please follow assembly instructions carefully.
- Do not use this product for any purpose other than that for which it was designed.

- Ensure that floor or wall surface is strong enough to support the weight of the fully-loaded AVALL and that the floor surface is flat and level.
- Do not install AVALL outdoors or in environments where it will be directly exposed to moisture or highwinds.
- Follow the manufacturer's guidance for mounting of monitors, displays and other equipment.
- Please take care to avoid trapping fingers when installing or adjusting the product.

ELECTRICAL SAFETY

- Safe installation of electrical equipment is the responsibility of the installer.
- Colebrook Bosson Saunders recommends that only double-insulated electrical equipment and cables are installed in AVALL unit.

MAINTENANCE AND INSPECTION

- Ensure all screws and fixings are fully tightened and occasionally re-tighten if necessary.
- Clean with a dampcloth. DO NOT use solvents.