

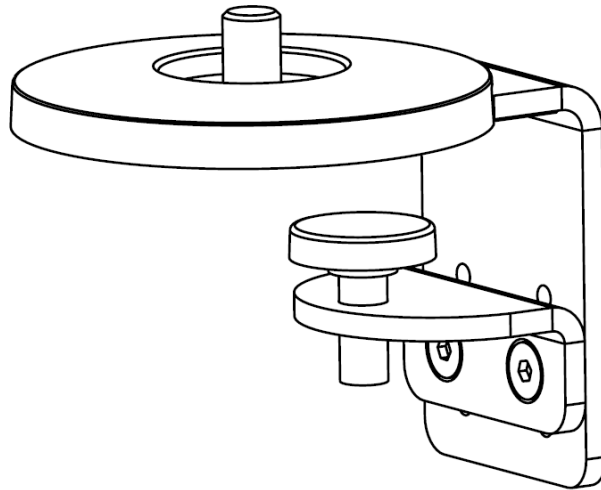
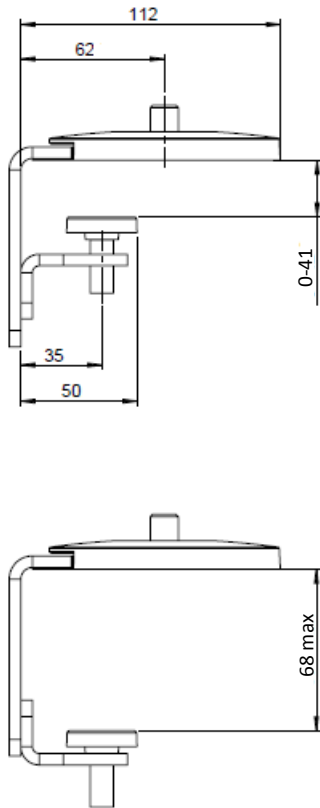


TECHNICAL SPECIFICATION SHEET

PRODUCT NAME: Universal Screen Mount Clamp

PRODUCT CODE: UNI/SMC/001

Doc Rev 2. 26.10.15. CF



*Note dimensions provided are measured in mm

KEY FEATURES

- Mounts WSH post system to work surface
- Soft Pads protects work surface from damage
- Clamp pad ensures secure grip without damaging underside of work surface
- Split clamp design permits fitting in limited access situations.
e.g between desk work surface and furniture panel.
- Suitable for desk thickness from 0-68mm

Product Classification	Brackets, Clamps and Fixings
Max load	24kg (52.8lb)
Build level	#A
Recycled content	24%
Total product recyclable	100%

LOGISTICAL

Box contains	Clamp, clamp screws, clamp pad,
Product net weight:	0.69 kg
Bag dims (HxWxD)	120 x 100 x 100 mm (packed in poly bag)
Bag gross weight	0.75 kg
Carton quantity	18
Master dims (HxWxD)	505 x 290 x 220 mm
Master weight	13.5 kg
Country of origin	China
Country of configuration	UK

ORDERING INFORMATION

<u>Colour</u>	<u>Product code</u>	<u>EAN</u>
Silver	UNI/SMC/001	5060270820840

WARRANTY

Warranty Term	Limited lifetime
---------------	------------------

COMPLIANCE & SAFETY CERTIFICATION

Whilst no mandatory standards apply to the monitor arm product sector, all Colebrook Bosson Saunders monitor arms have been designed with appropriate articulation features, dimensional range and adjustability to conform to the requirements of BS EN ISO 9241:5 1999 Ergonomic requirements for office work with visual display terminals (VDTs).

Conformance certification	N/A
Test authority	CBS
Safety certification	N/A

ENVIRONMENTAL

Material type	Material type Weight	% PIR of total weight	% PCR of total weight	% of total product recyclable
Aluminium Die Cast	10.4g	0.30%	0.60%	1.49%
Plastic	26.4g	0.19%	0.19%	3.78%
Rubber	8.2g	0%	0%	1.17%
Steel	653.5g	0%	23.39%	93.56%
Other	0g	0%	0.00%	0%
Total	698.50g	0.49%	24.17%	100.00%

CLEANING, STORAGE & MAINTENANCE

Routine servicing	Periodic inspection
Service components	Available to order
Cleaning & Maintenance	Damp cloth, no abrasives, no solvents to be used on the cosmetic surfaces
Handling & Storage	Do not drop or expose to moisture

Colebrook Bosson Saunders (Products) Ltd accept no liability for the accuracy of the information contained herein and retain the right to modify the specifications or data contained herein without prior notification.