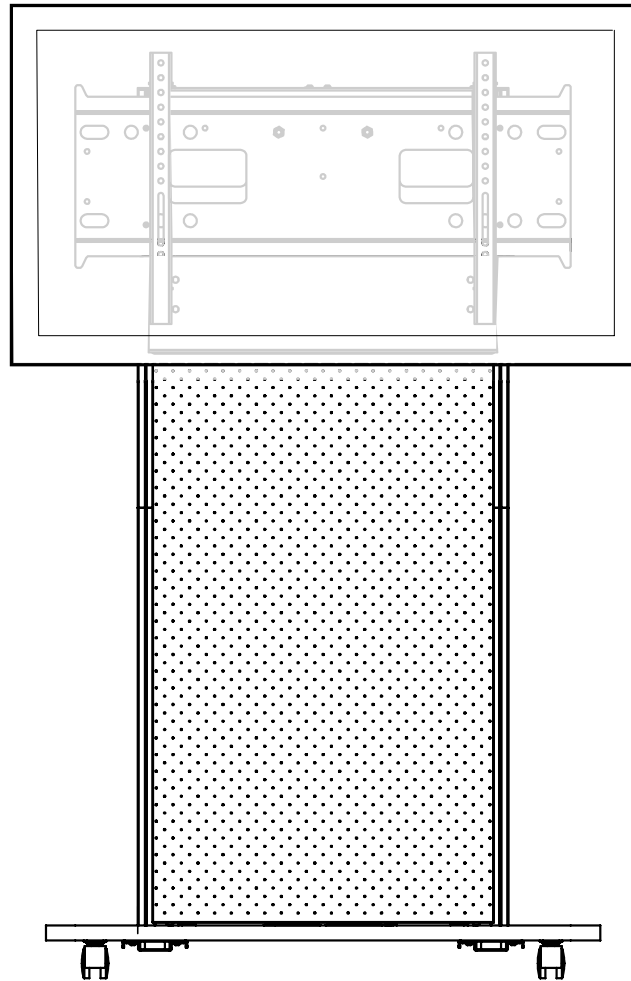




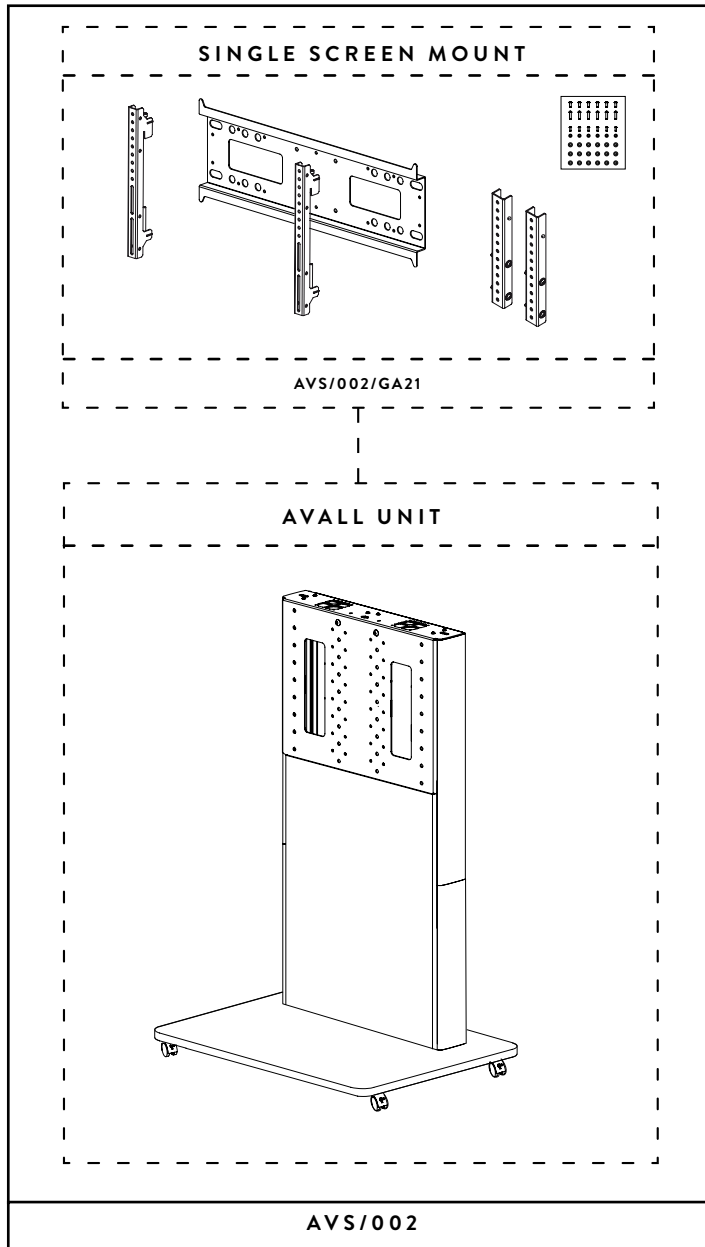
# Installation Instructions for AVALL Standard

AVS/002

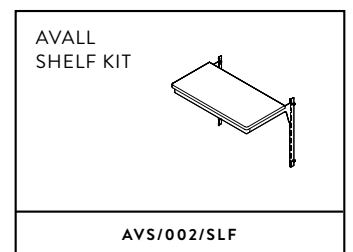
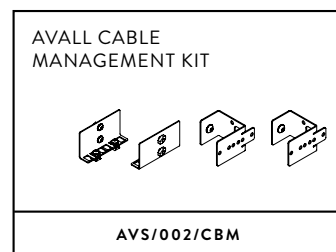
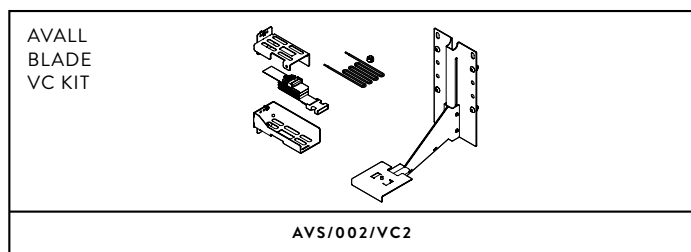
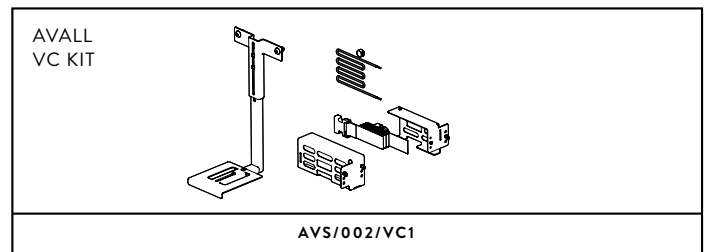
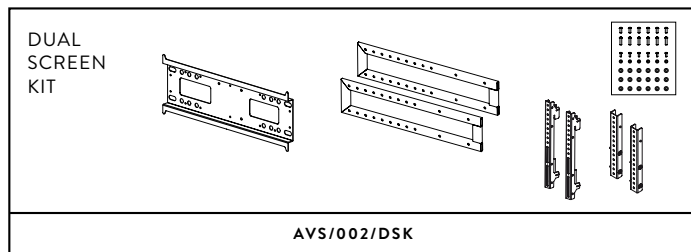
---



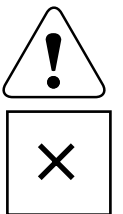
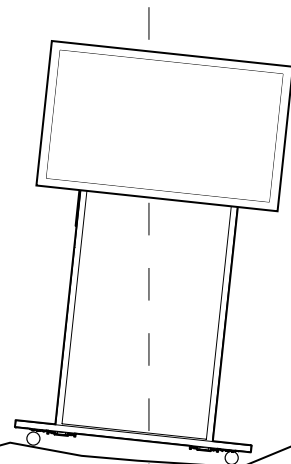
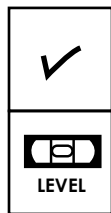
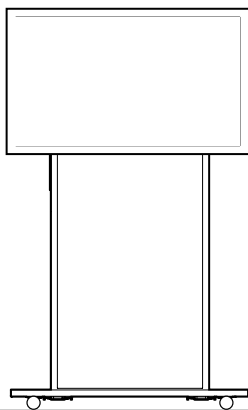
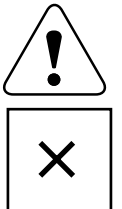
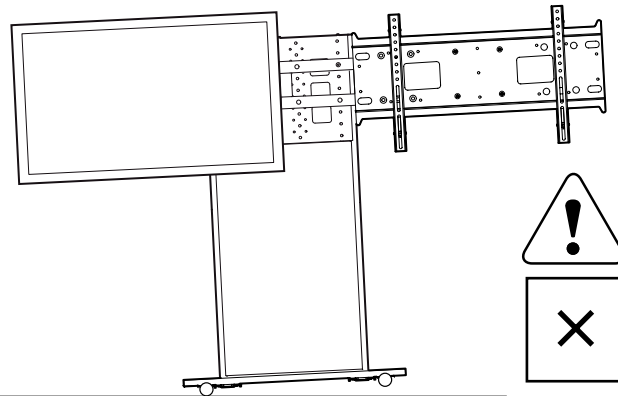
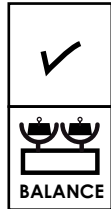
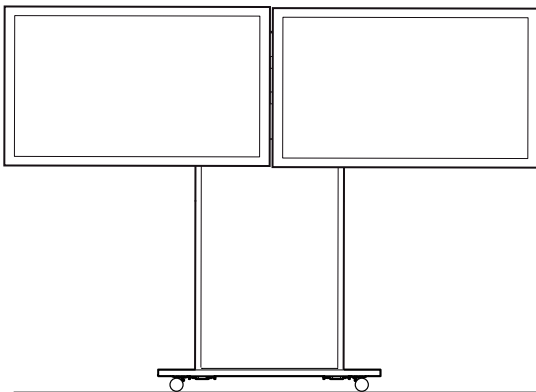
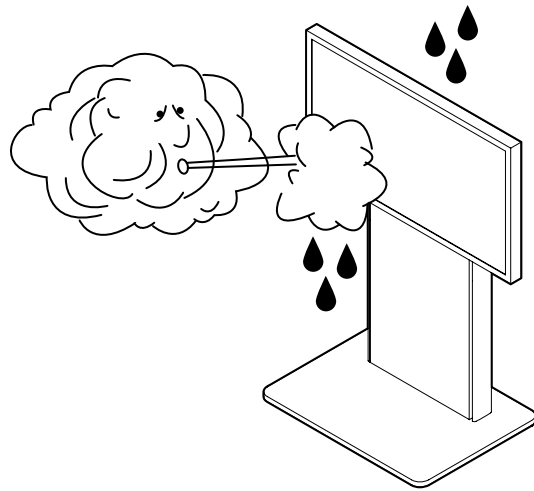
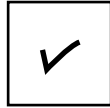
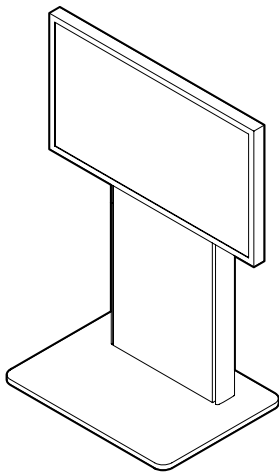
AVS-002-INST - B MARCH 2015



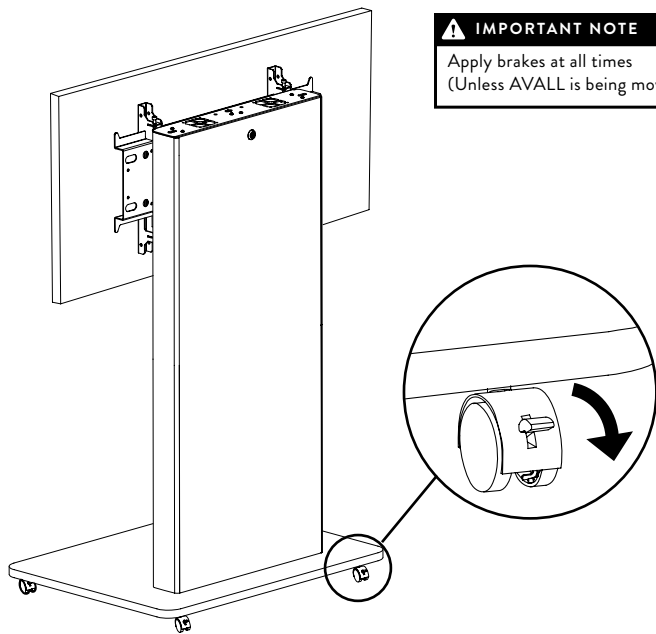
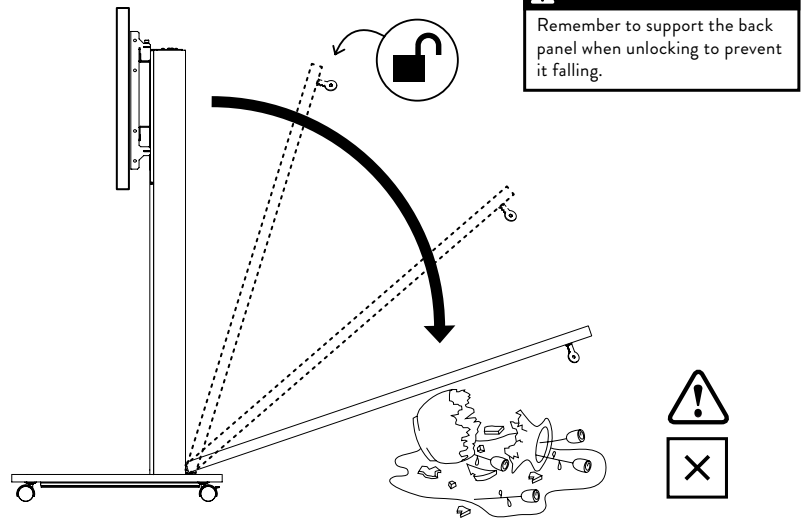
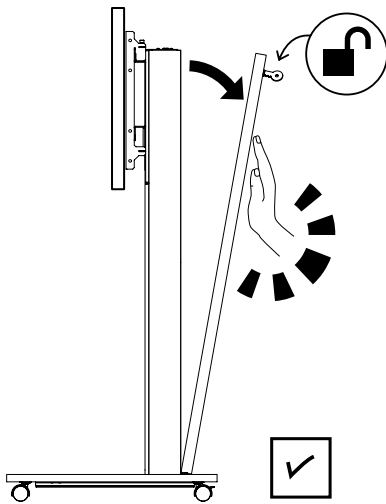
OPTIONAL ACCESSORIES



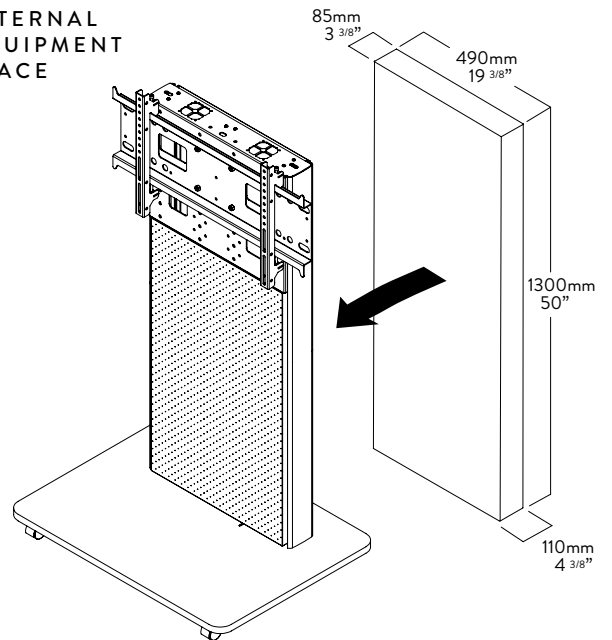
⚠ SOME IMPORTANT PRECAUTIONS



## ⚠ SOME IMPORTANT PRECAUTIONS



## INTERNAL EQUIPMENT SPACE



## ⚠ WARNING

- Do not install screens/displays heavier than 60kg/132lb. Total weight of installed equipment must not exceed 120kg/264lb, symmetrically distributed.
- Use with products heavier than the maximum weights indicated may result in instability causing possible injury.
- Correct installation is essential to safe and reliable operation of the AVALL product and falls outside the scope of responsibility of Colebrook Bosson Saunders. Please follow assembly instructions carefully.
- Do not use this product for any purpose other than that for which it was designed.
- Ensure that floor or wall surface is strong enough to support the weight of the fully-loaded AVALL and that the floor surface is flat and level.
- Do not install AVALL outdoors or in environments where it will be directly exposed to moisture or highwinds.
- Follow the manufacturer's guidance for mounting of screens, displays and other equipment.
- Please take care to avoid trapping fingers when installing or adjusting the product.

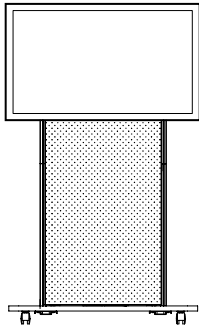
## ⚠ ELECTRICAL SAFETY

- Safe installation of electrical equipment is the responsibility of the installer.
- Colebrook Bosson Saunders recommends that only double-insulated electrical equipment and cables are installed in AVALL unit.

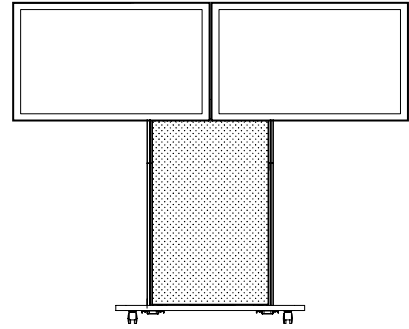
## ⚠ MAINTENANCE AND INSPECTION

- Ensure all screws and fixings are fully tightened and occasionally re-tighten if necessary.
- Clean with a dampcloth. DO NOT use solvents.

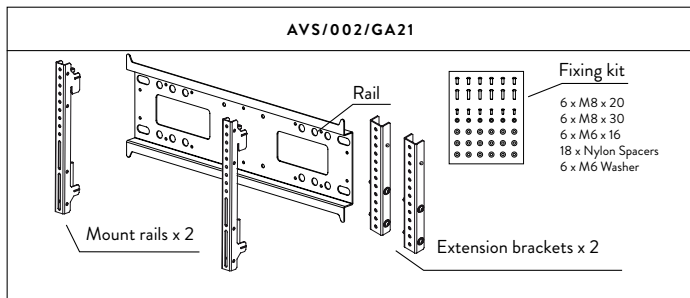
INSTALL THE **SINGLE** SCREEN MOUNT



INSTALL THE **DUAL** SCREEN MOUNT



USE SCREEN MOUNT KIT SUPPLIED WITH AVALL



USE SCREEN MOUNT KIT SUPPLIED WITH AVALL

**PLUS**

AVALL DUAL SCREEN KIT (SUPPLIED SEPERATELY)

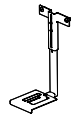
FOR AVALL DUAL SCREEN KIT REFER TO SEPARATE INSTALLATION INSTRUCTIONS AVS/002/DSK



IF USING ANY OF THE AVALL OPTIONAL ACCESSORIES PLEASE CONSULT THE RELEVANT INSTALLATION INSTRUCTIONS FOR EACH PRODUCT, TO ENSURE THEIR POSITION AND INSTALLATION ARE CONSIDERED BEFORE THE SCREEN(S) ARE MOUNTED.



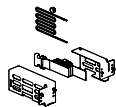
VC CAMERA MOUNT



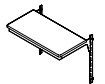
CABLE MANAGEMENT KIT



VC CODEC MOUNT



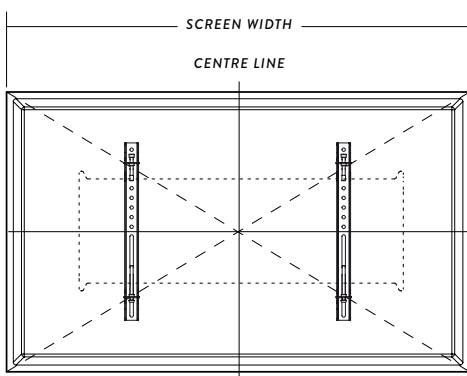
SHELF KIT



**1** MOUNT RAILS TO SCREEN

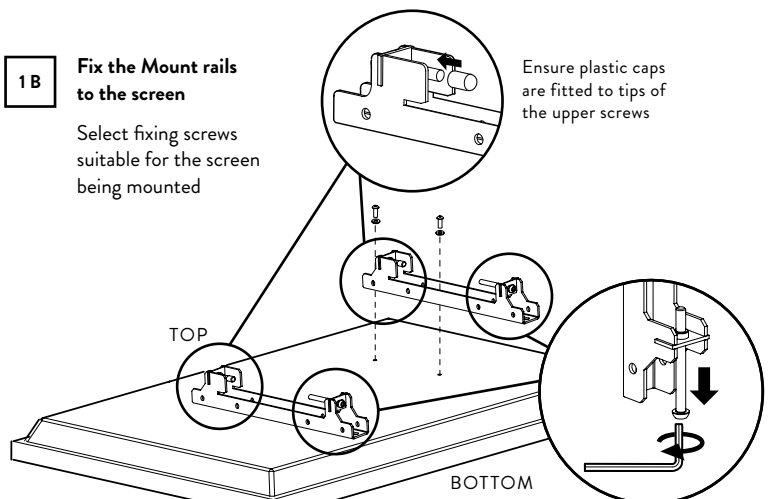
**1A** Plan the mounting position

Plan the mounting position of the mount to ensure that your chosen screen ends up in the correct position



**1B** Fix the Mount rails to the screen

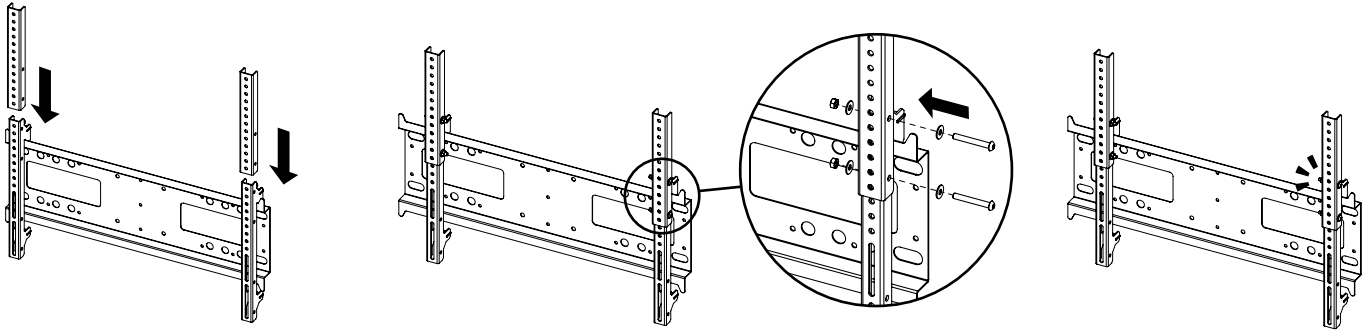
Select fixing screws suitable for the screen being mounted



Withdraw lower screws to ensure adequate clearance for mounting

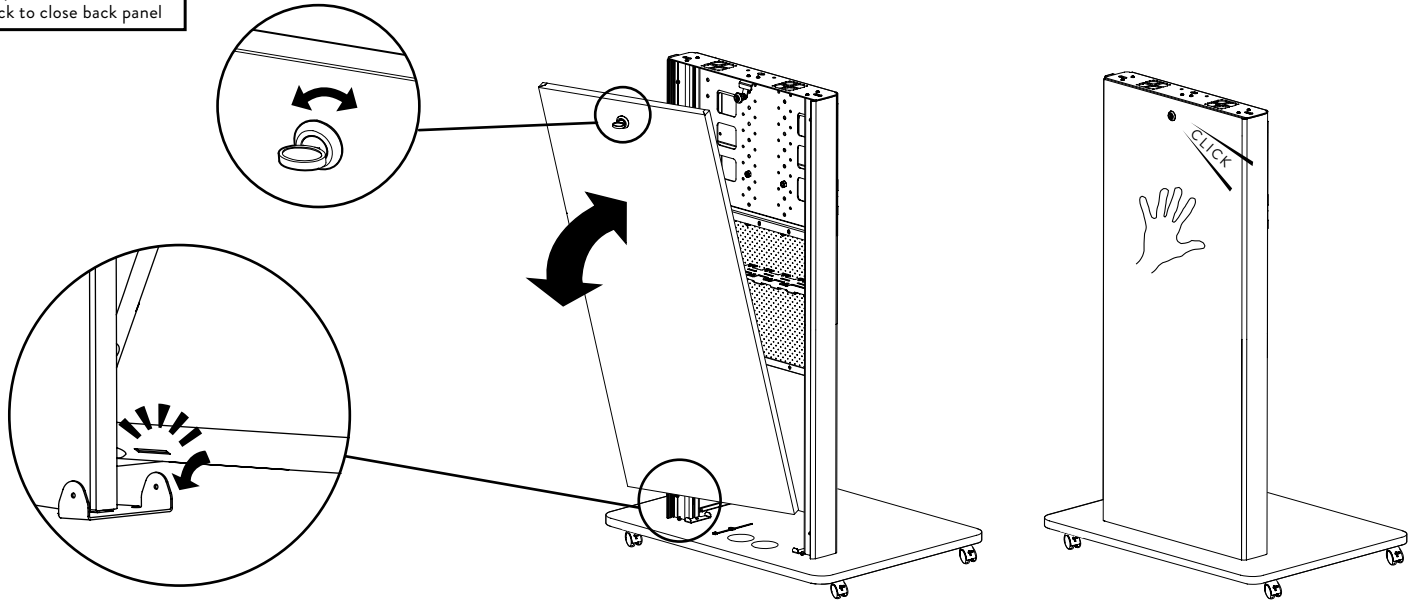
⚠ Note orientation of Mount rail relative to screen

**1C** [OPTIONAL] Fit extension brackets if required for larger screens



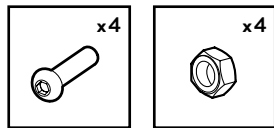
**2** REMOVE/FIT BACK PANEL

**⚠ IMPORTANT NOTE**  
Key must be inserted in lock to close back panel

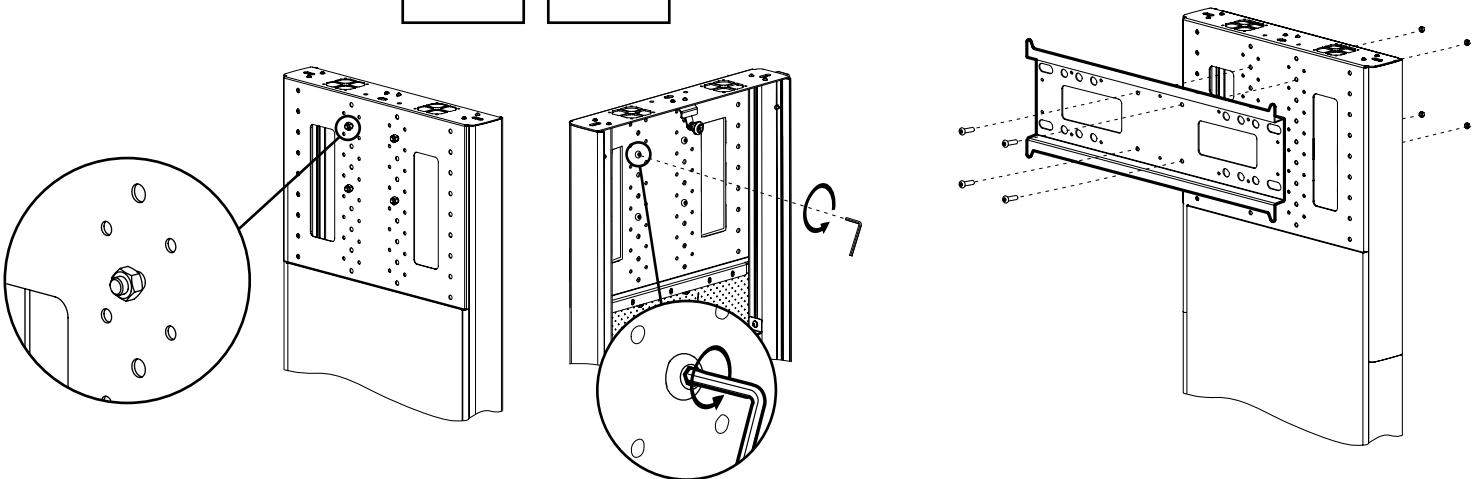


**3** INSTALL MOUNT RAIL

**3A** Remove 4 x M10 screws and 4 x M10 nuts from AVALL unit

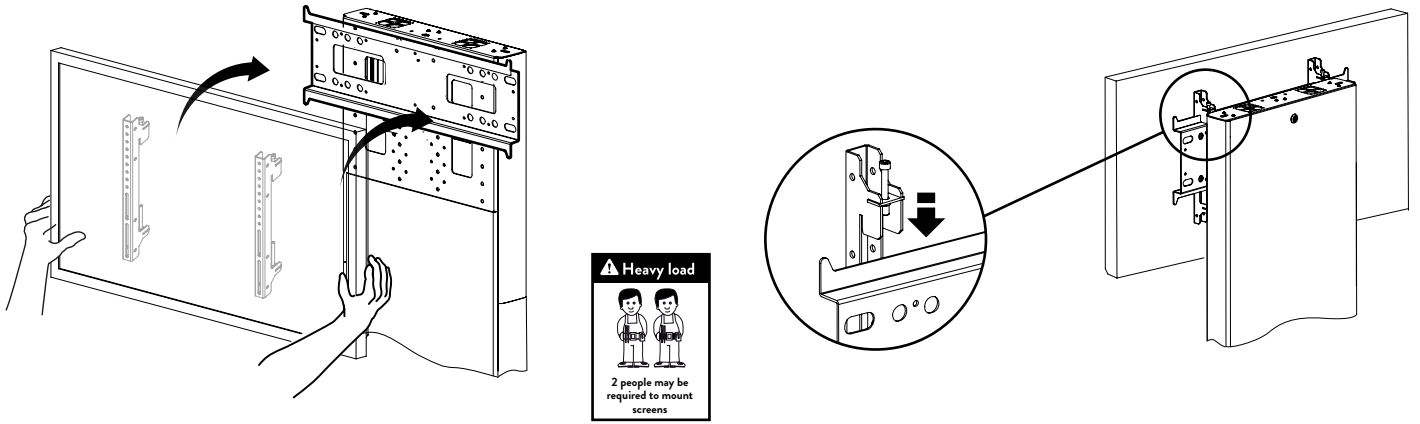


**3B** Use the screws and nuts to install Mount Rail



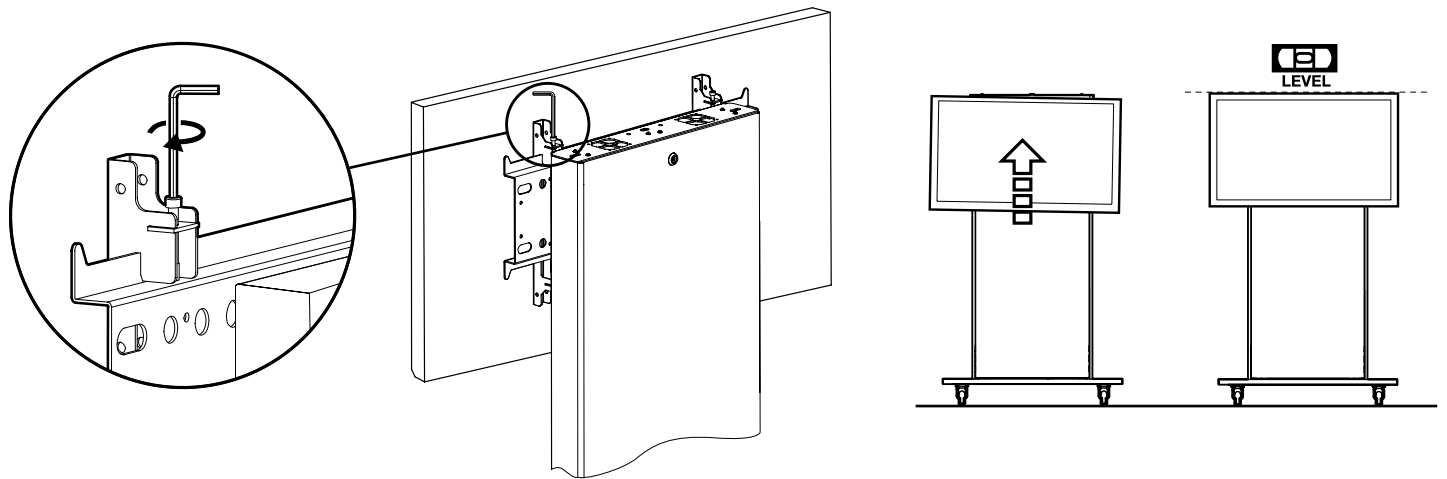
4

### MOUNT SCREEN TO RAIL



5

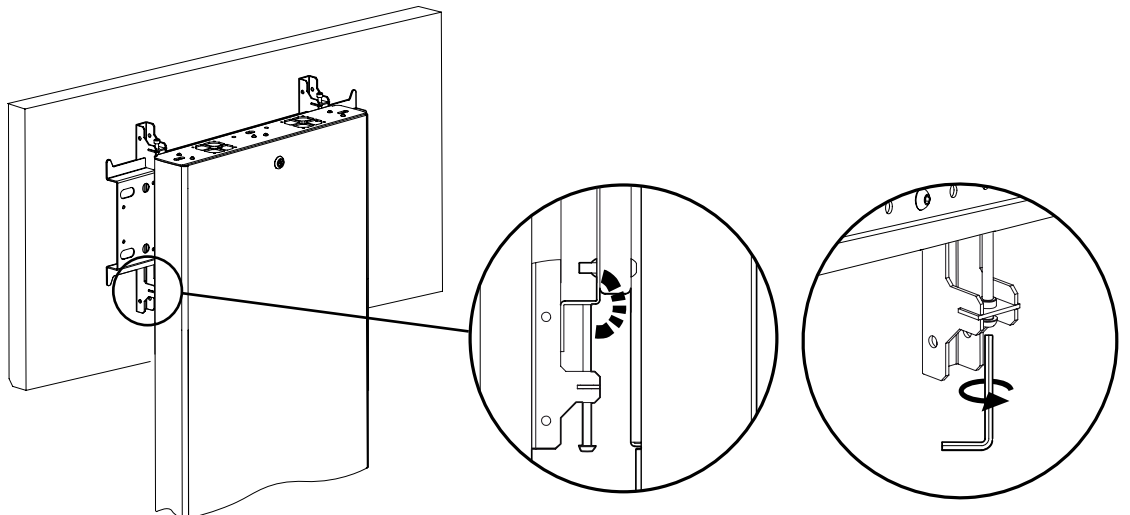
### LEVELLING SCREEN



6

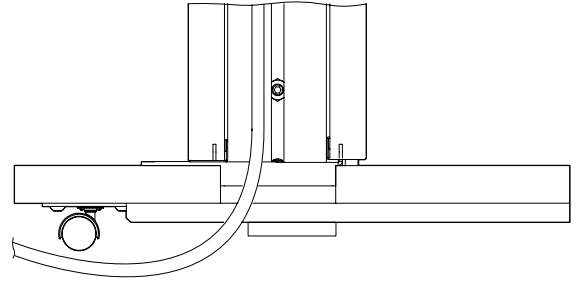
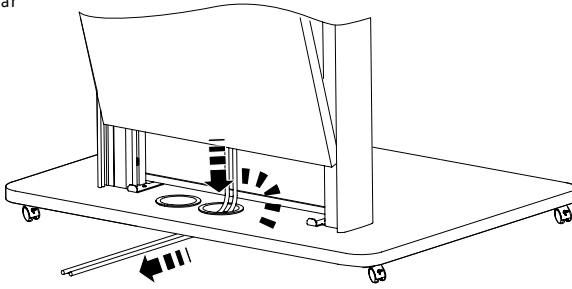
### SECURE SCREEN

**IMPORTANT NOTE**  
Tighten lower screws to secure screen to mount



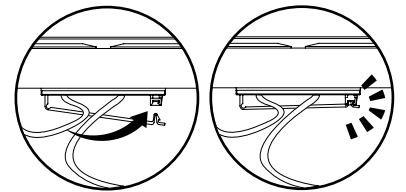
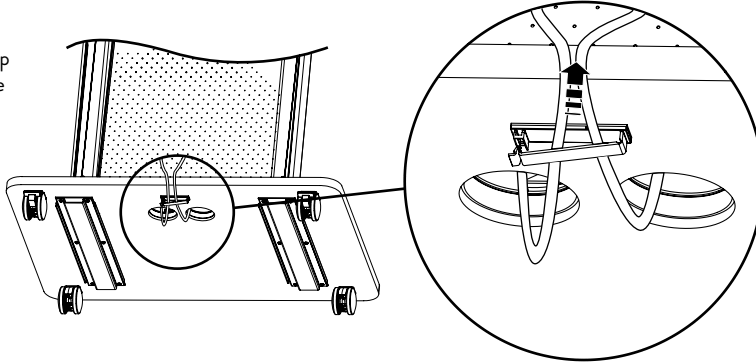
7A

Pull cables clear of the base



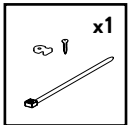
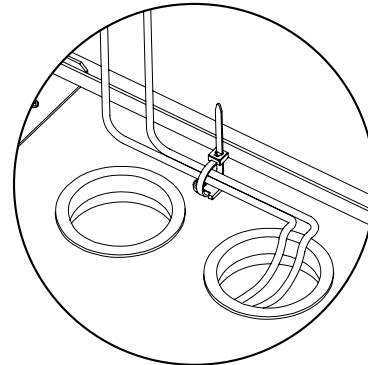
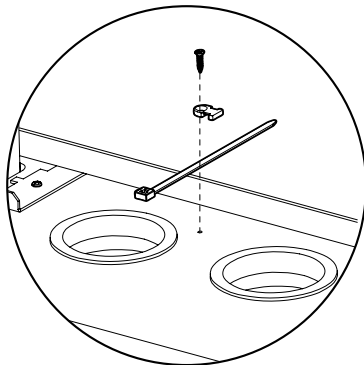
7B

Clip cables into management clip underneath base to secure



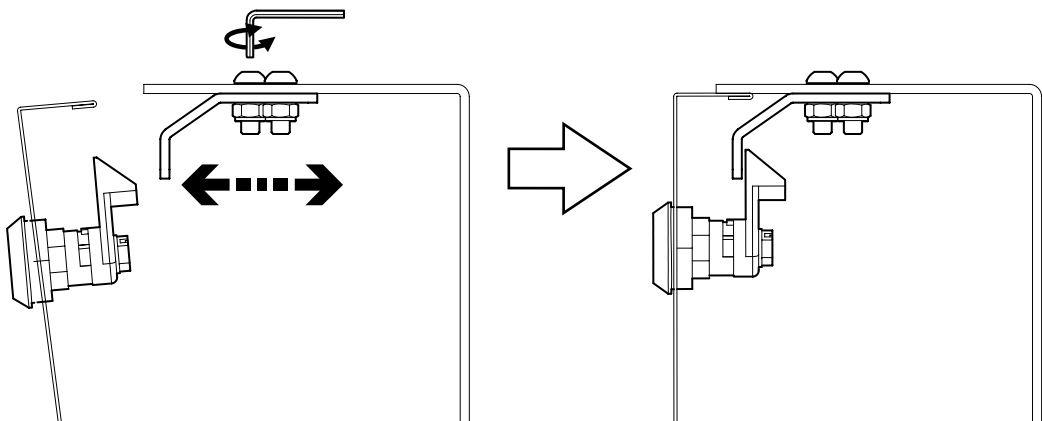
**IMPORTANT NOTE**

- Safe installation of electrical equipment is the responsibility of the installer.
- Colebrook Bosson Saunders recommends that only double-insulated electrical equipment and cables are installed in AVALL unit.



**USEFUL TIP**

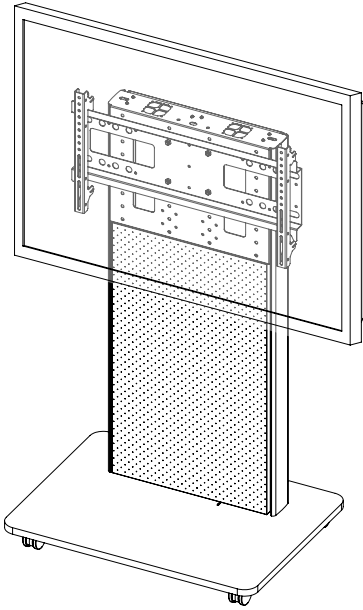
If necessary, adjust position of lock plate to ensure correct latching of lock



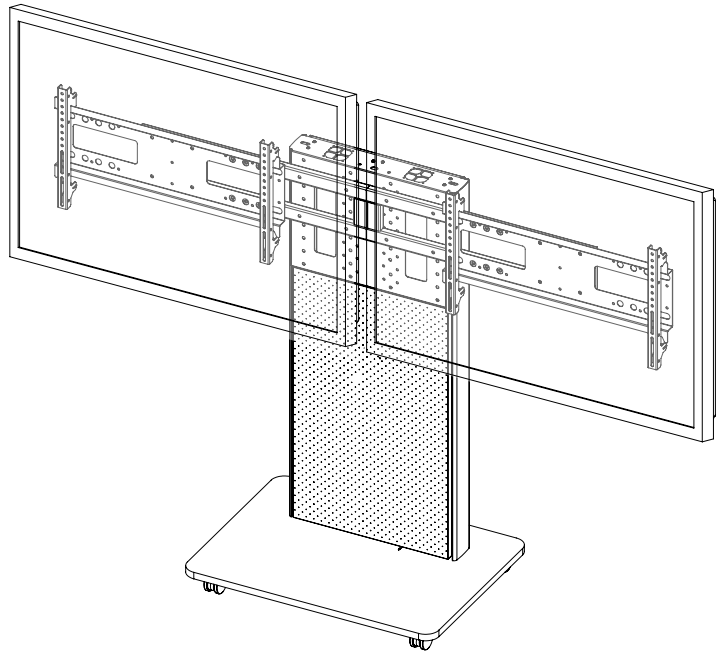


---

INSTALLATION COMPLETE



**SINGLE** SCREEN MOUNT



**DUAL** SCREEN MOUNT