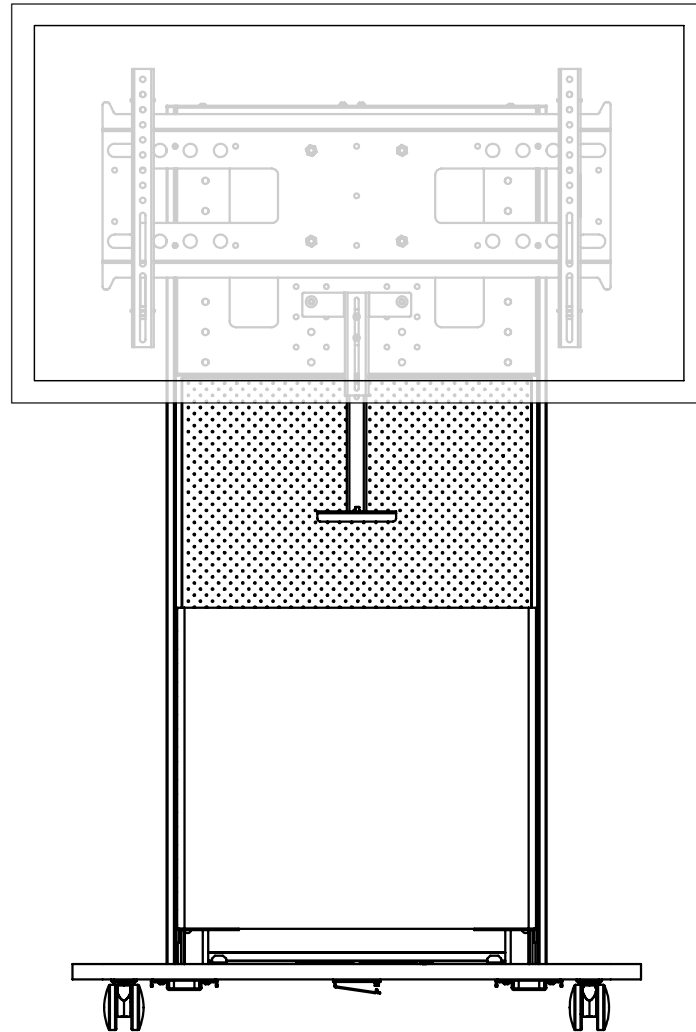




# Installation Instructions for AVALL Complete

AVS/003

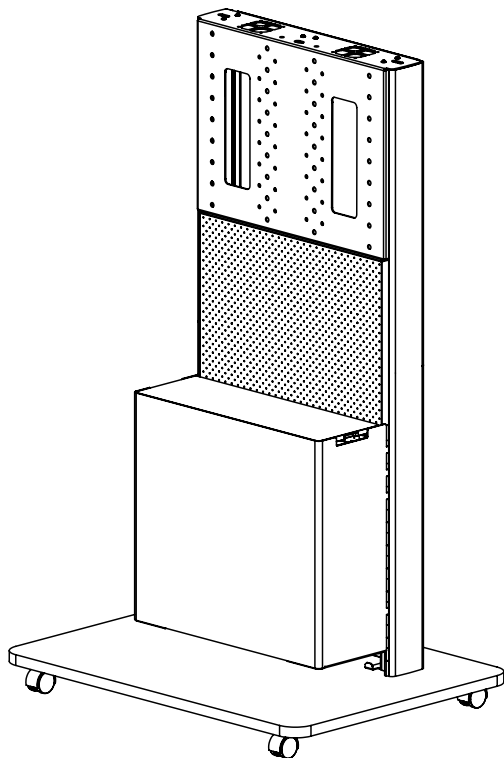
---



AVS-003-INST - F APRIL 2015

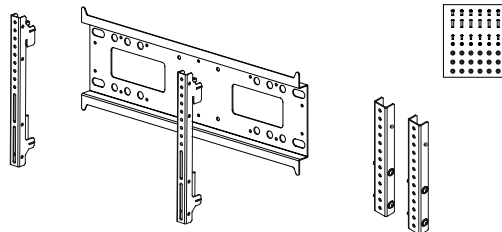
AVALL COMPLETE SYSTEM

PARTS INCLUDED: AVS/003/K01



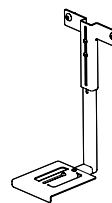
AVALL COMPLETE BASE & COLUMN

SINGLE SCREEN MOUNT



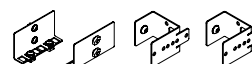
AVS/002/GA21

CAMERA MOUNT



AVS/003/A11

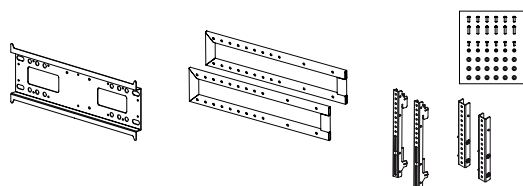
AVALL CABLE MANAGEMENT KIT



AVS/002/CBM

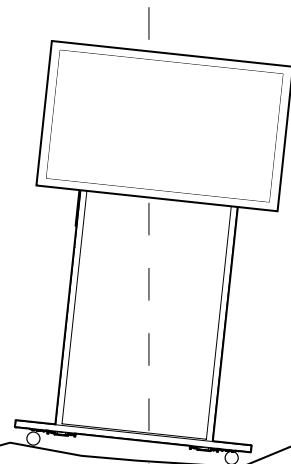
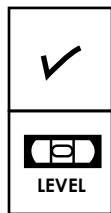
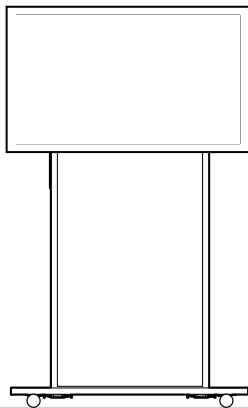
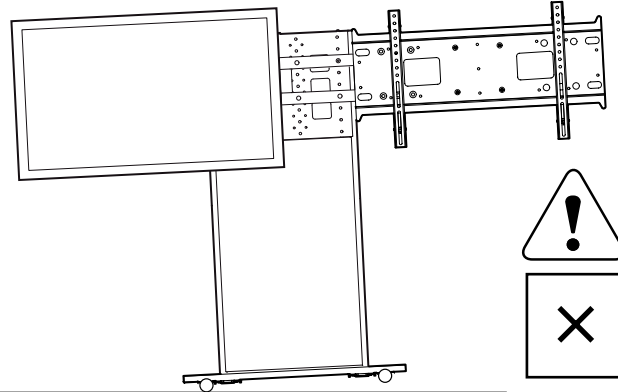
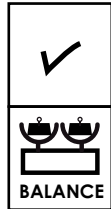
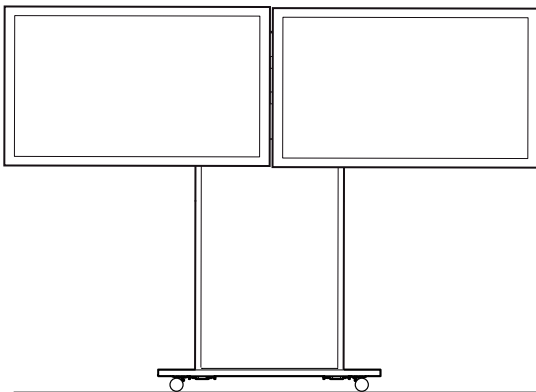
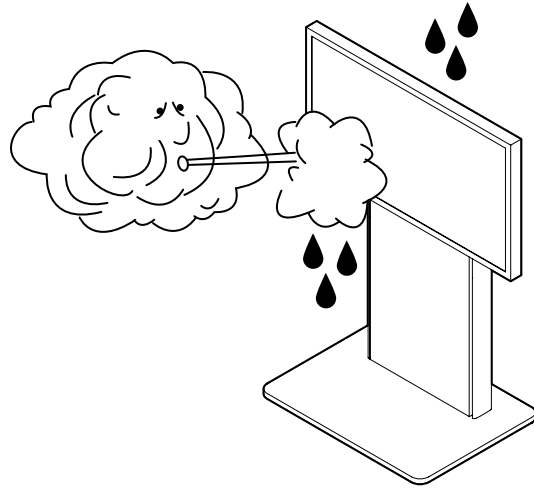
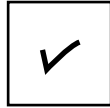
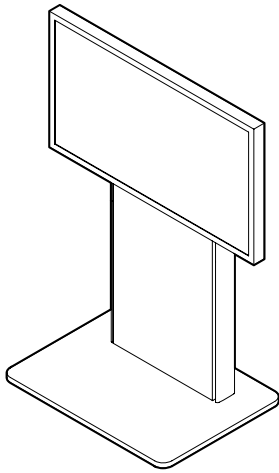
OPTIONAL ACCESSORIES TO CONFIGURE FOR DUAL SCREEN MOUNT

DUAL SCREEN KIT

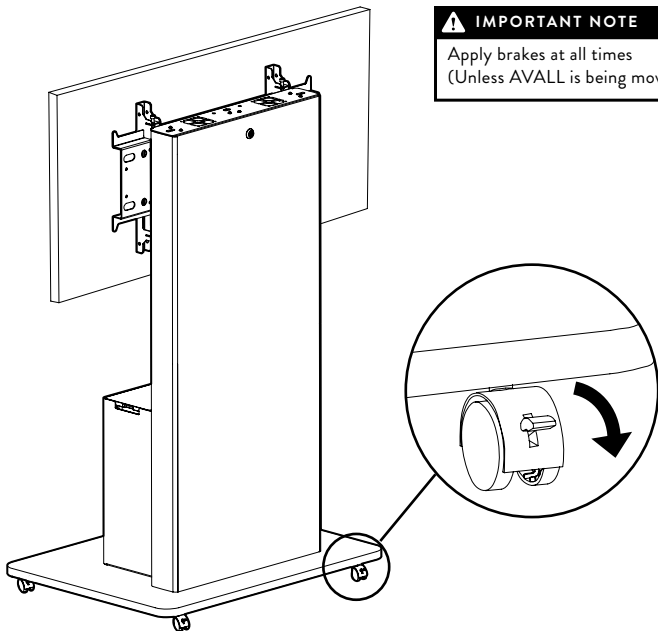
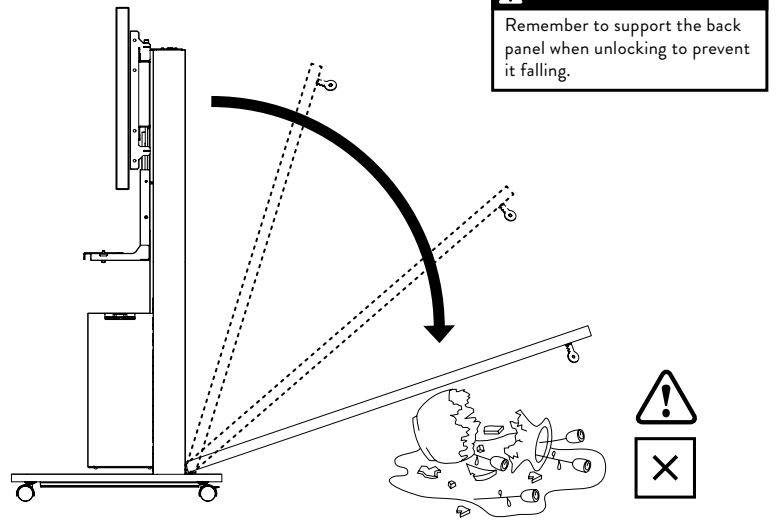
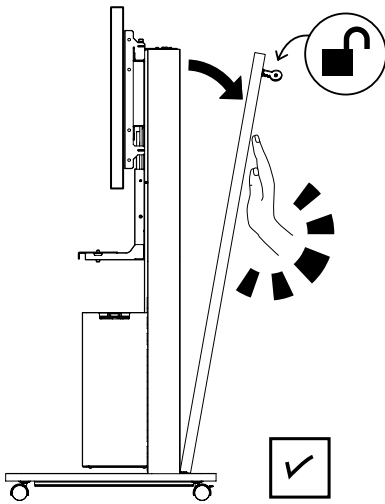


AVS/002/DSK

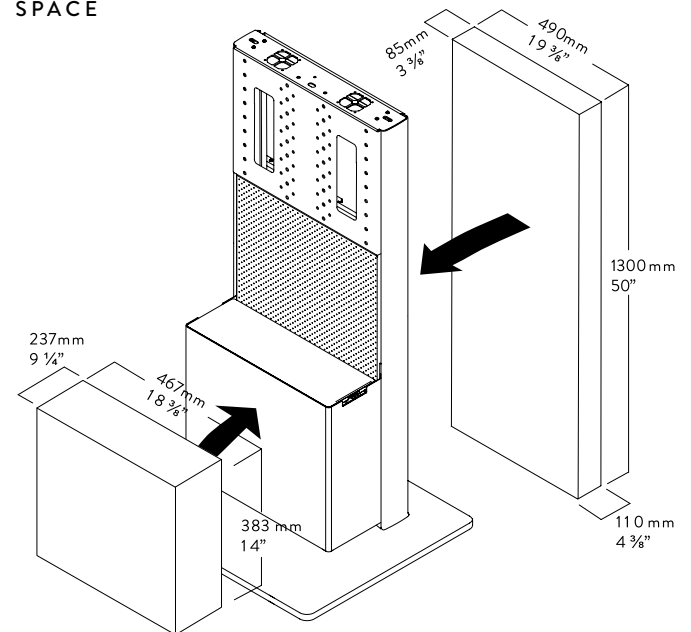
⚠ SOME IMPORTANT PRECAUTIONS



## ⚠ SOME IMPORTANT PRECAUTIONS



## INTERNAL EQUIPMENT SPACE



## ⚠ WARNING

- Do not install screens/displays heavier than 60kg/132lb. Total weight of installed equipment must not exceed 120kg/264lb, symmetrically distributed.
- Use with products heavier than the maximum weights indicated may result in instability causing possible injury.
- Correct installation is essential to safe and reliable operation of the AVALL product and falls outside the scope of responsibility of Colebrook Bosson Saunders. Please follow assembly instructions carefully.
- Do not use this product for any purpose other than that for which it was designed.
- Ensure that floor or wall surface is strong enough to support the weight of the fully-loaded AVALL and that the floor surface is flat and level.
- Do not install AVALL outdoors or in environments where it will be directly exposed to moisture or highwinds.
- Follow the manufacturer's guidance for mounting of screens, displays and other equipment.
- Please take care to avoid trapping fingers when installing or adjusting the product.

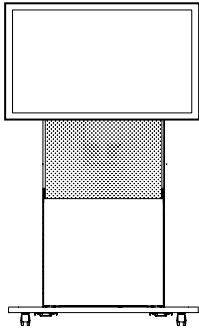
## ⚠ ELECTRICAL SAFETY

- Safe installation of electrical equipment is the responsibility of the installer.
- Colebrook Bosson Saunders recommends that only double-insulated electrical equipment and cables are installed in AVALL unit.

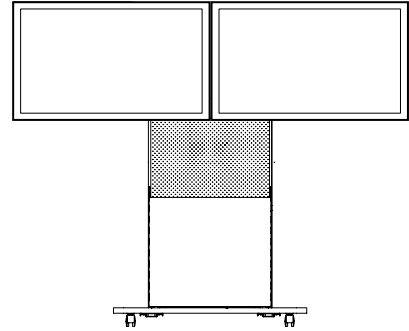
## ⚠ MAINTENANCE AND INSPECTION

- Ensure all screws and fixings are fully tightened and occasionally re-tighten if necessary.
- Clean with a dampcloth. DO NOT use solvents.

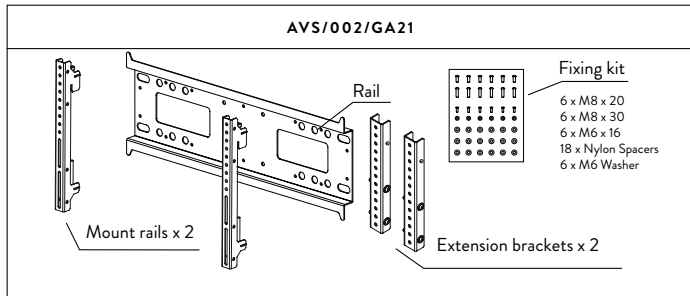
INSTALL THE **SINGLE** SCREEN MOUNT



INSTALL THE **DUAL** SCREEN MOUNT



USE SCREEN MOUNT KIT SUPPLIED WITH AVALL



USE SCREEN MOUNT KIT SUPPLIED WITH AVALL

**PLUS**

AVALL DUAL SCREEN KIT (SUPPLIED SEPERATELY)

FOR AVALL DUAL SCREEN KIT REFER TO SEPARATE INSTALLATION INSTRUCTIONS AVS/002/DSK

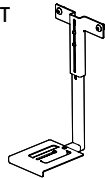


**INCLUDED AV ACCESSORIES**

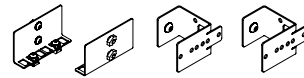
PLEASE CONSULT THE RELEVANT INSTALLATION INSTRUCTIONS FOR EACH PRODUCT, TO ENSURE THEIR POSITION AND INSTALLATION ARE CONSIDERED BEFORE THE SCREEN(S) ARE MOUNTED.



VC CAMERA MOUNT



CABLE MANAGEMENT KIT

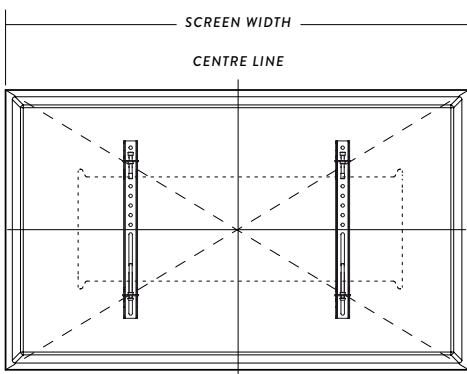


1

**MOUNT RAILS TO SCREEN**

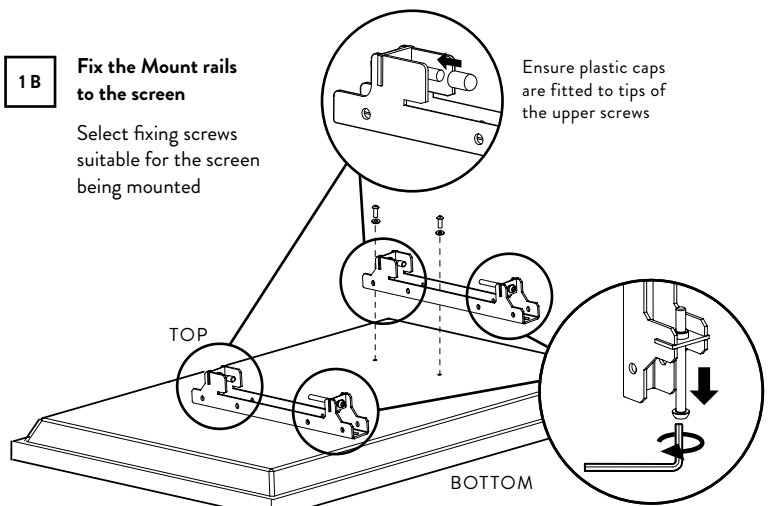
**1A Plan the mounting position**

Plan the mounting position of the mount to ensure that your chosen screen ends up in the correct position



**1B Fix the Mount rails to the screen**

Select fixing screws suitable for the screen being mounted



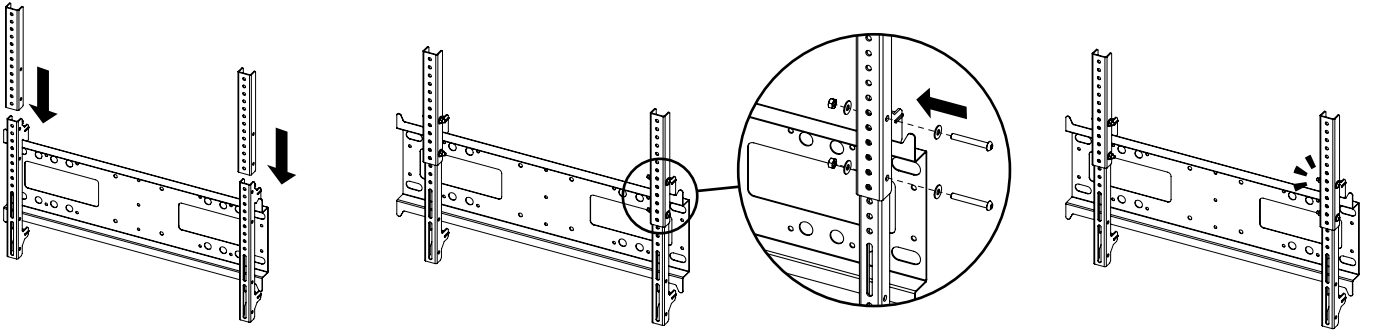
Ensure plastic caps are fitted to tips of the upper screws

Withdraw lower screws to ensure adequate clearance for mounting

⚠ Note orientation of Mount rail relative to screen

1C

[OPTIONAL] Fit extension brackets if required for larger screens

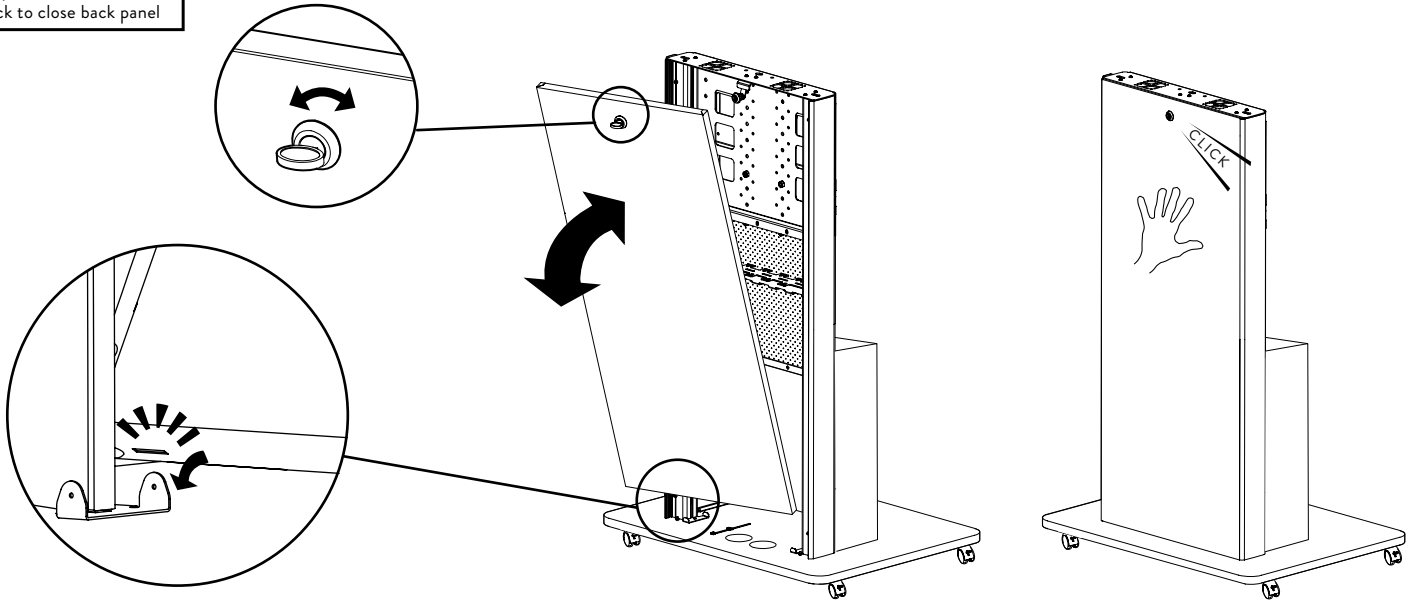


2

## REMOVE/FIT BACK PANEL

### ⚠ IMPORTANT NOTE

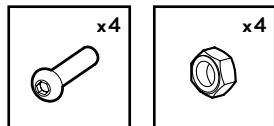
Key must be inserted in lock to close back panel



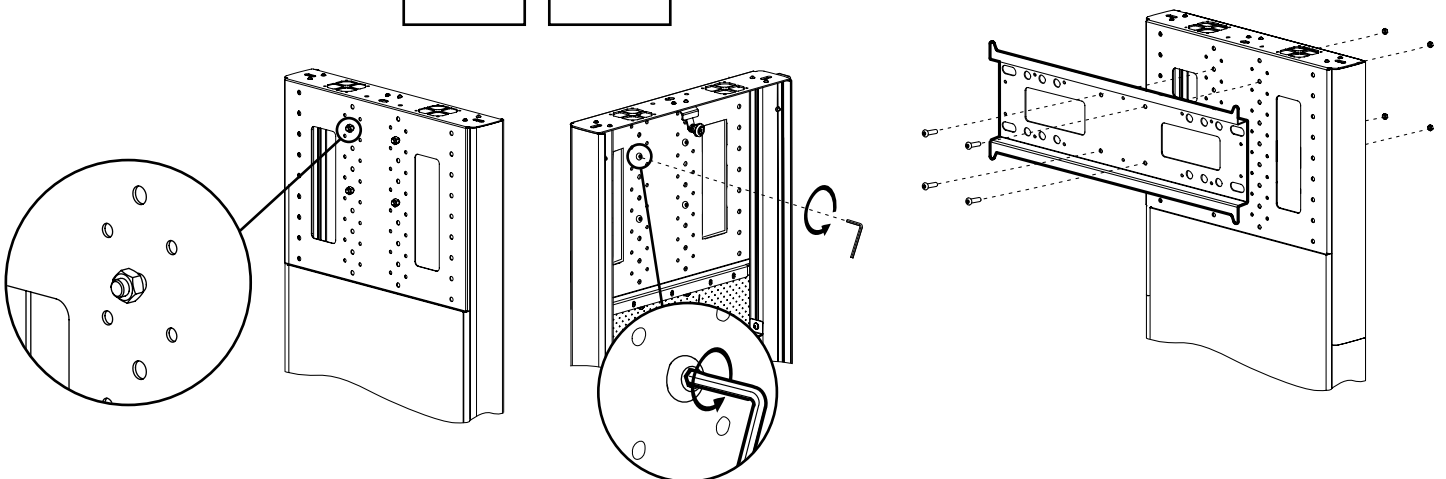
3

## INSTALL MOUNT RAIL

3A Remove 4 x M10 screws and 4 x M10 nuts from AVALL unit



3B Use the screws and nuts to install Mount Rail

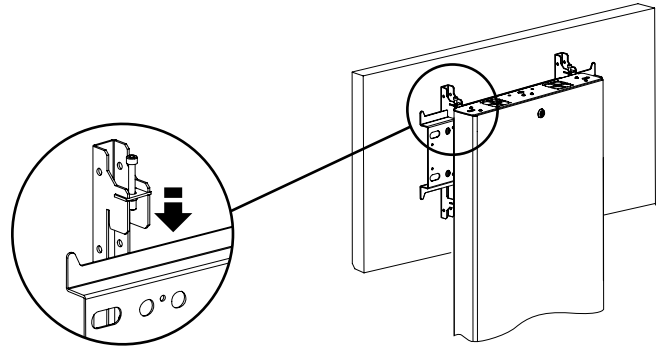
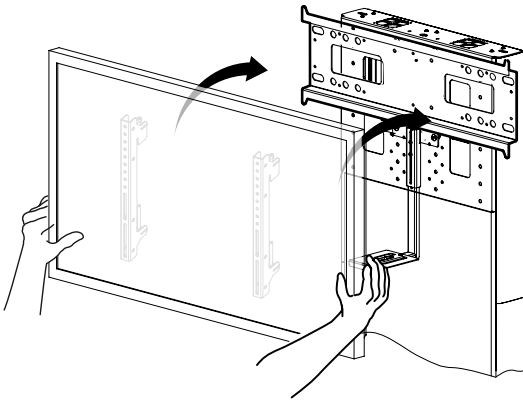


4

### MOUNT SCREEN TO RAIL

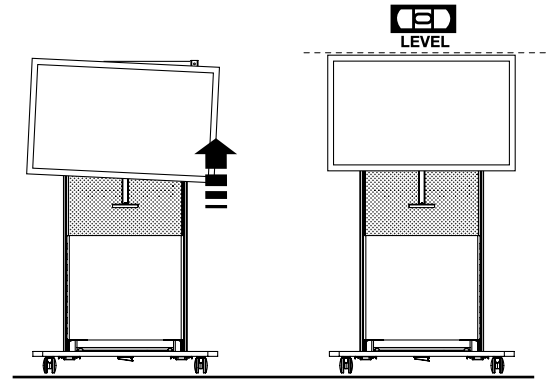
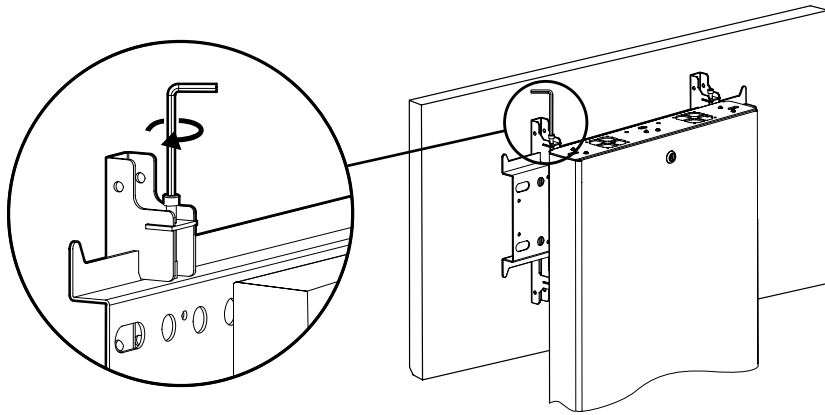


ENSURE CAMERA MOUNT IS INSTALLED AT THIS STAGE



5

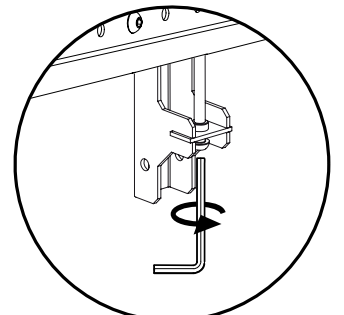
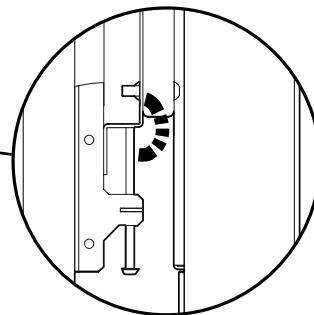
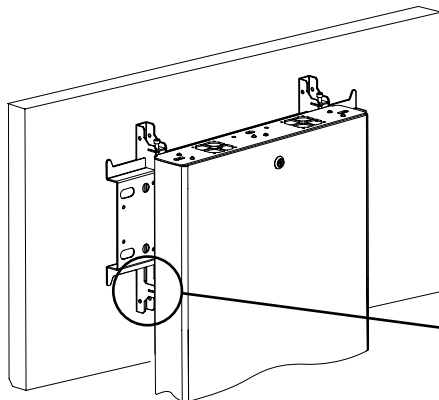
### LEVELLING SCREEN



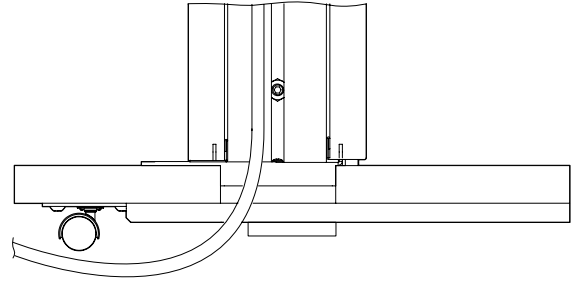
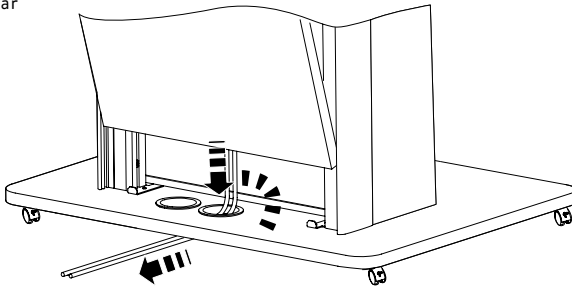
6

### SECURE SCREEN

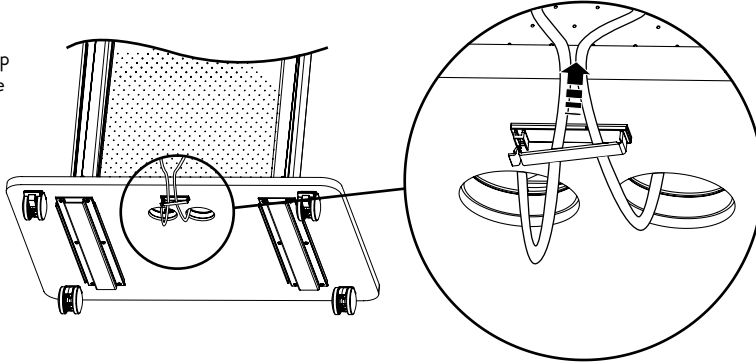
**IMPORTANT NOTE**  
Tighten lower screws to secure screen to mount



7A Pull cables clear of the base

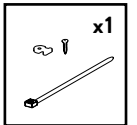
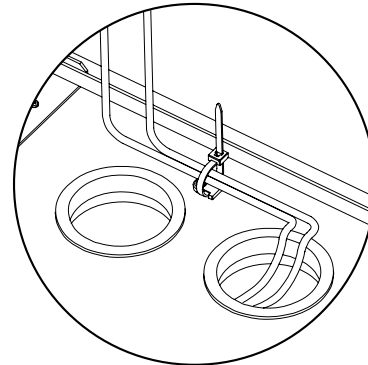
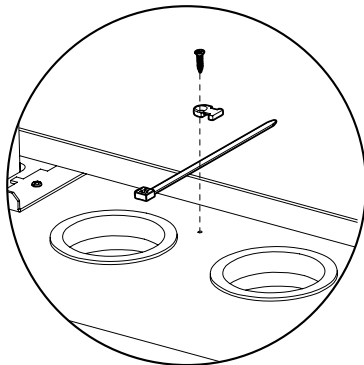
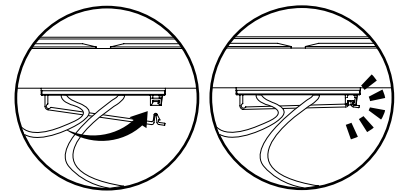


7B Clip cables into management clip underneath base to secure



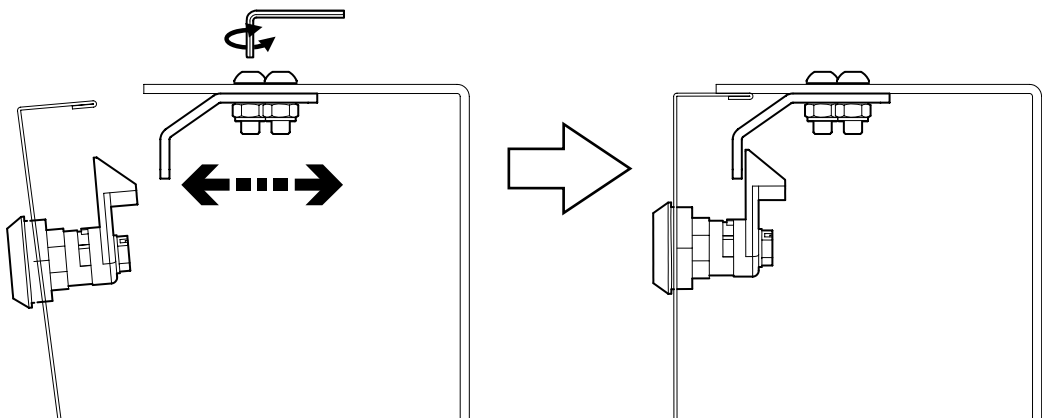
**IMPORTANT NOTE**

- Safe installation of electrical equipment is the responsibility of the installer.
- Colebrook Bosson Saunders recommends that only double-insulated electrical equipment and cables are installed in AVALL unit.



**USEFUL TIP**

If necessary, adjust position of lock plate to ensure correct latching of lock

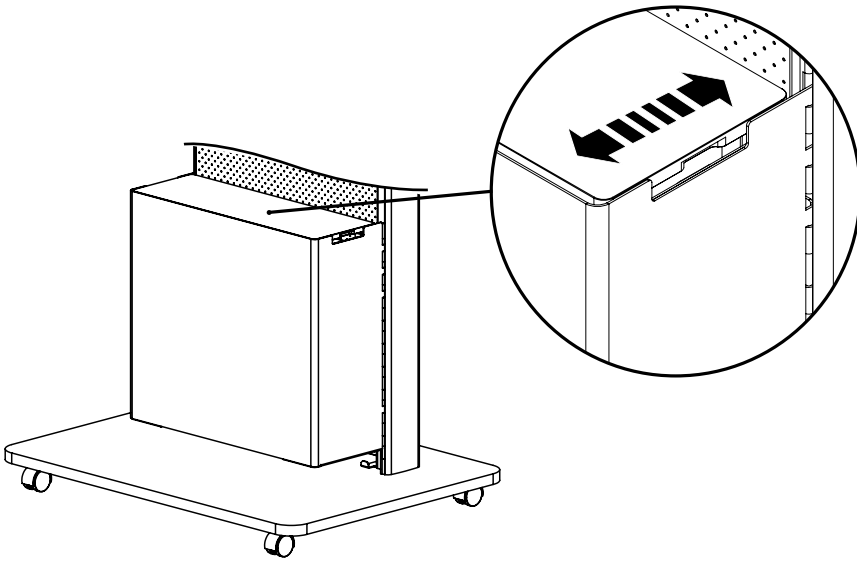




REMOVAL/REFITTING LID

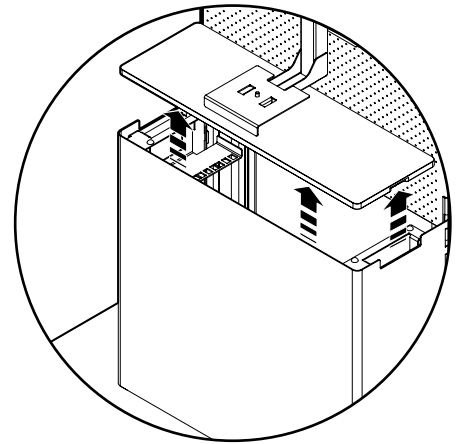
10A

Slide lid backwards to release, slide lid forwards to lock

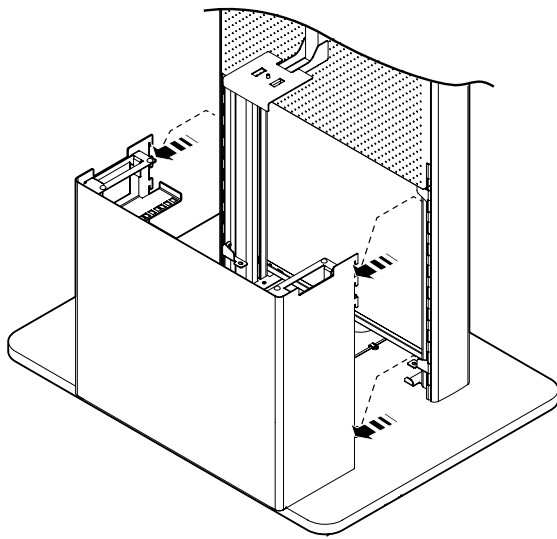


10B

Lift lid



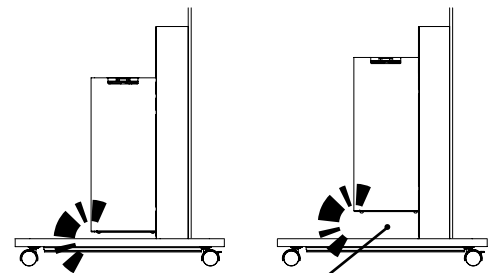
[OPTIONAL] REPOSITION RACK ASSEMBLY



Select holes according to required position

Position A

Position B  
(For mounted fans)

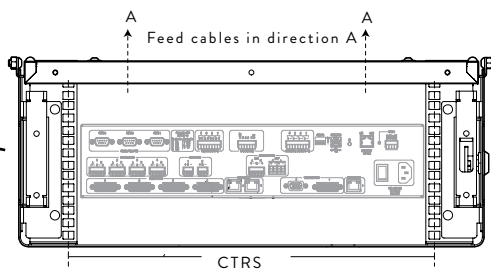
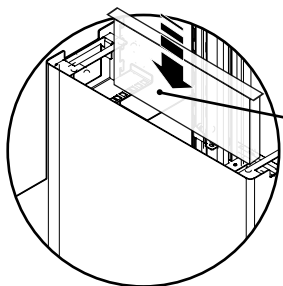


Ventilation airflow space

FIT AV EQUIPMENT TO RACK ASSEMBLY

12A

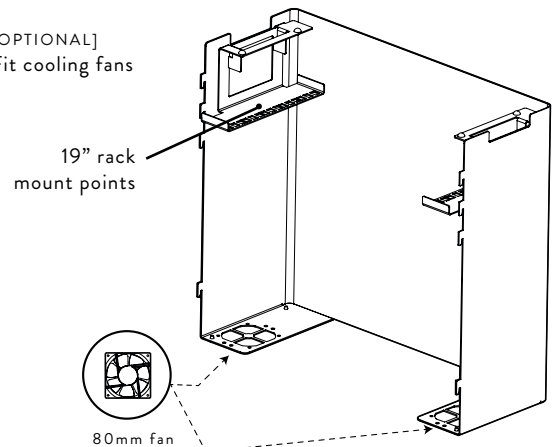
Fit AV equipment



Fit AV equipment across rack centers using supplied cage nuts

12B

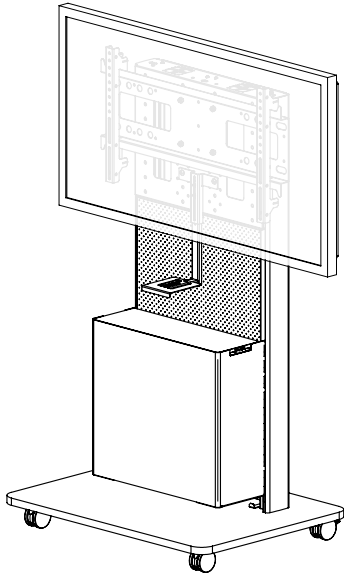
[OPTIONAL]  
Fit cooling fans



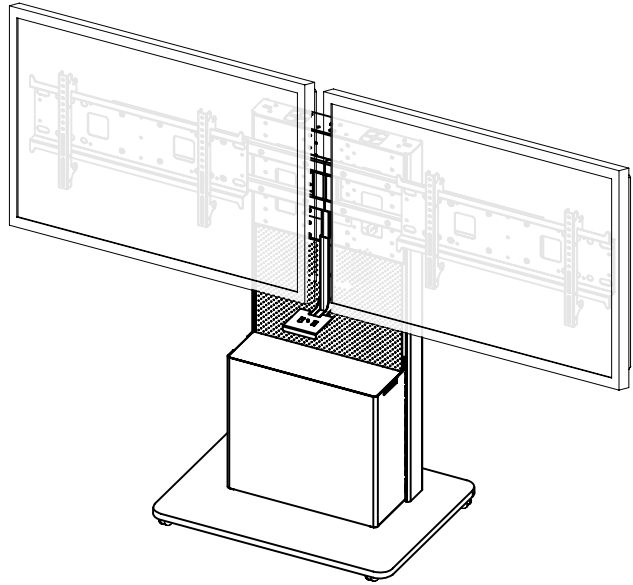
Fans to be installed according to manufacturer guidelines

---

INSTALLATION COMPLETE



**SINGLE** SCREEN MOUNT



**DUAL** SCREEN MOUNT