

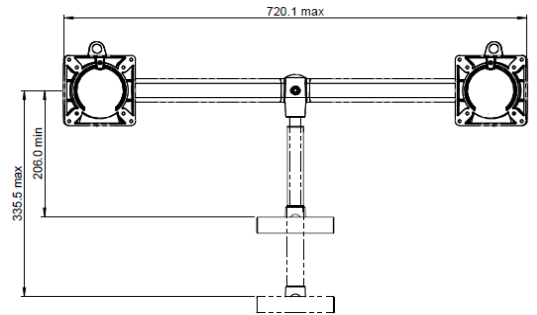
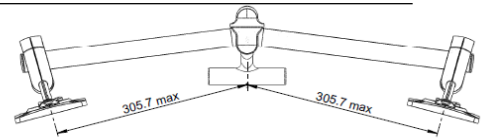
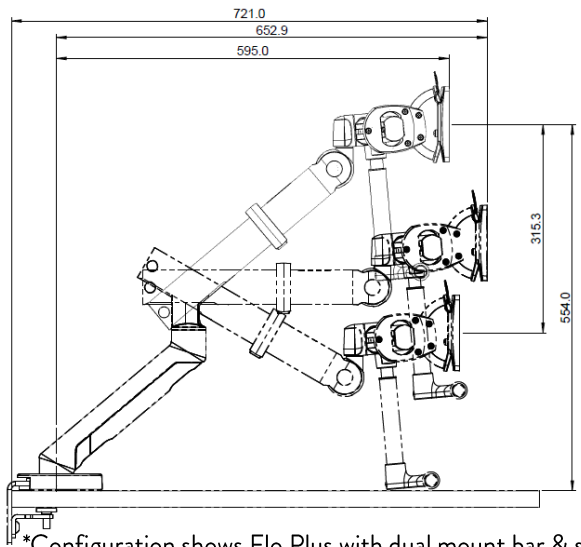


TECHNICAL SPECIFICATION SHEET

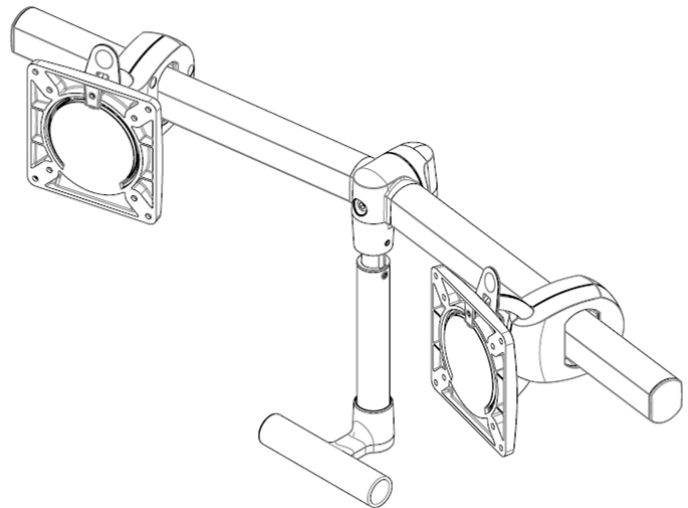
PRODUCT NAME: Flo Plus Dual Mount Bar

PRODUCT CODE: DYN/DMB/001

Doc Rev 1.14.04.15 . CF



*Configuration shows Flo Plus with dual mount bar & split clamp



*Note that dimensions provided are measured in mm

KEY FEATURES

- Compatible with Flo Plus Dynamic Monitor Arm.
- Mounts 2 x monitors (up to 24" size.)
- Quick-release monitor mounting.
- Self-balancing tilt adjustment & levelling of individual monitors.
- Individual fine height adjustment (12mm) to align monitors.
- Central swivel joint to level complete dual bar installation.
- Choice of 'cockpit' or flat screen configuration.
- Adjustable handle for ease of movement

Product Classification	Monitor Arms
Max load	18kg (39.6lb)
Min load	6kg (13.2lb)
Max offset load	5kg max difference between monitor weights
Max monitor size	560mm wide (approx 24" diagonal screen size)
Monitor tilt range	35° upward tilt, 36° downward tilt,
Build level	#B
Recycled content	29%
Total product recyclable	100%

LOGISTICAL

Box contains	Flo Plus Dual Mount Bar, handle, 2 x VESA plates, screws
Product net weight	1.9kg
Box dims (HxWxD)	125 x 170 x 740 mm
Box gross weight	2.5kg
Carton quantity	4
Master dims (HxWxD)	760 x 360 x 285 mm
Master weight	11kg
Country of origin	China
Country of configuration	UK

ORDERING INFORMATION

<u>Colour</u>	<u>Product code</u>	<u>EAN</u>
White	DYN/DMB/001/W	5060270823964
Silver	N/A	N/A
Black	N/A	N/A

WARRANTY

Warranty Term	Limited lifetime warranty
Notes	Excludes quick-release – Warranty 5 years

COMPLIANCE & SAFETY CERTIFICATION

Whilst no mandatory standards apply to the monitor arm product sector, all Colebrook Bosson Saunders monitor arms have been designed with appropriate articulation features, dimensional range and adjustability to conform to the requirements of BS EN ISO 9241:5 1999 Ergonomic requirements for office work with visual display terminals (VDTs).

Conformance certification	BS EN ISO 9241:5 1999 Ergonomic Requirements for office work with visual display terminals (VDTs). FIRA certificate of conformance pending.
Test authority	CBS
Safety certification	N/A

ENVIRONMENTAL

Material type	Material type Weight	% PIR of total weight	% PCR of total weight	% of total product recyclable
Aluminium Die Cast	514.4g	5.32%	10.64%	26.6%
Aluminium Extruded	638.4g	6.6%	13.20%	33.01%
Plastic	481.5g	1.24%	1.24%	24.90%
Rubber	0g	0%	0%	0%
Steel	297.7g	0%	3.85%	15.39%
Stainless Steel	0g	0%	0%	0%
Zinc	0g	0%	0%	0%
Brass	2g	0%	0.2%	0.1%
Total	1934g	13.17%	28.95%	100%

CLEANING, STORAGE & MAINTENANCE

Routine servicing	Periodic inspection
Service components	Available to order
Cleaning & Maintenance	Damp cloth, no abrasives, no solvents to be used on the cosmetic surfaces
Handling & Storage	Do not drop or expose to moisture

Colebrook Bosson Saunders (Products) Ltd accept no liability for the accuracy of the information contained herein and retain the right to modify the specifications or data contained herein without prior notification.