



TECHNICAL SPECIFICATION SHEET

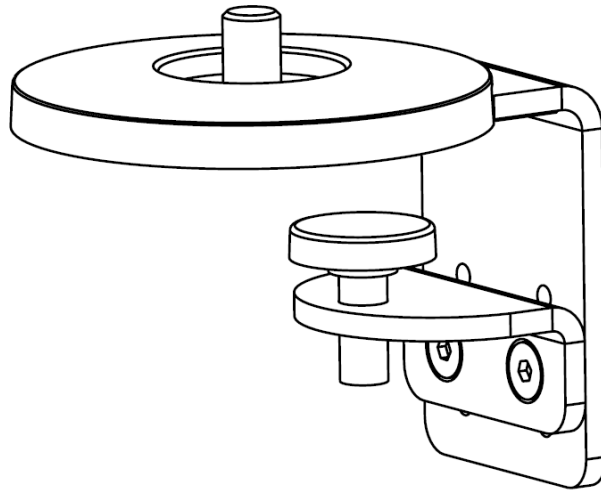
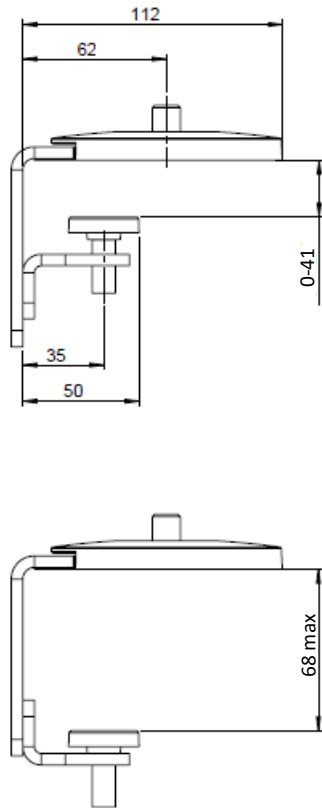
PRODUCT NAME: Universal Screen Mount Clamp

PRODUCT CODE: UNI/SMC/001

Doc Rev 3.

Product Rev #A

08.08.2016 CF



*Note dimensions provided are measured in mm

KEY FEATURES

- Mounts WSH post system to work surface
- Soft Pads protects work surface from damage
- Clamp pad ensures secure grip without damaging underside of work surface
- Split clamp design permits fitting in limited access situations. e.g between desk work surface and furniture panel.
- Suitable for desk thickness from 0-68mm

Product Classification	Brackets, Clamps and Fixings
Max load	24kg (52.8lb)
Recycled content	13.6%
Total product recyclable	100%

LOGISTICAL

Box contains	Clamp, clamp screws, clamp pad,
Product net weight:	0.69 kg
Bag dims (HxWxD)	120 x 100 x 100 mm (packed in poly bag)
Bag gross weight	0.75 kg
Carton quantity	18
Master dims (HxWxD)	505 x 290 x 220 mm
Master weight	13.5 kg
Country of origin	China
Country of configuration	UK

ORDERING INFORMATION

<u>Product Description</u>	<u>Product code</u>	<u>Colour</u>
Universal Screen Mount Clamp	UNI/SMC/001	:/S Silver

WARRANTY

Warranty Term	Limited lifetime
---------------	------------------

COMPLIANCE & SAFETY CERTIFICATION

Whilst no mandatory standards apply to the monitor arm product sector, all Colebrook Bosson Saunders monitor arms have been designed with appropriate articulation features, dimensional range and adjustability to conform to the requirements of BS EN ISO 9241:5 1999 Ergonomic requirements for office work with visual display terminals (VDTs).

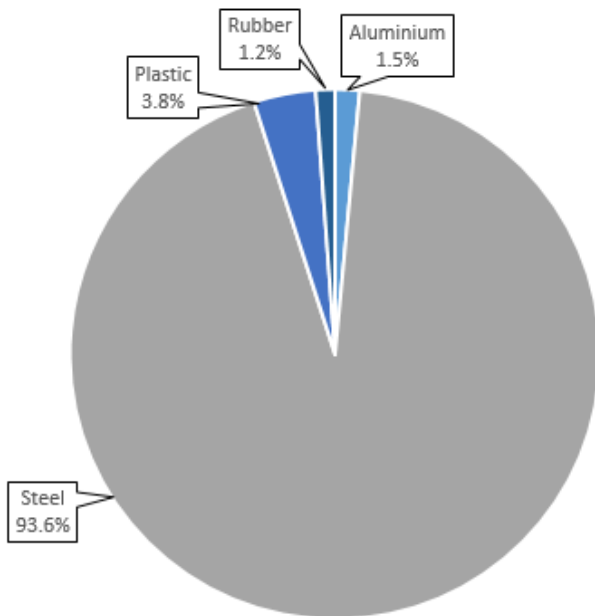
Conformance certification	N/A
Test authority	CBS
Safety certification	N/A

ENVIRONMENTAL

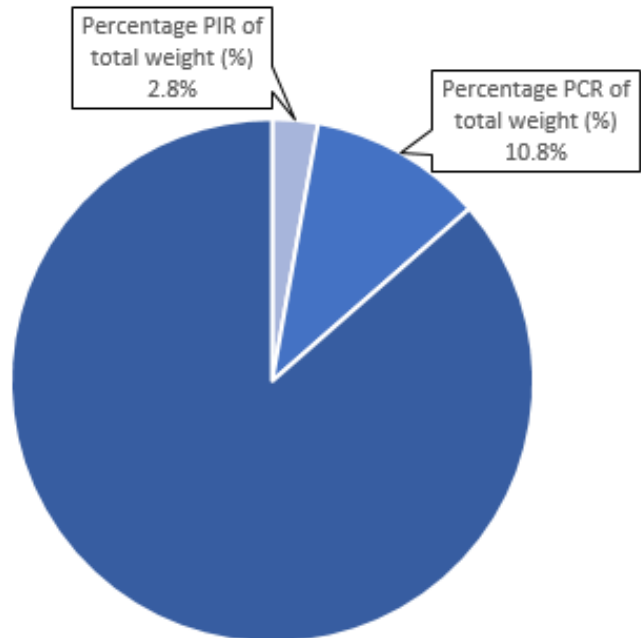
Material Make-up			Total Recycled Content	Breakdown of Recycled Content		Total Recyclable	
Overall Product			Overall Product	Overall Product		Overall Product	
Material type	Total Material type weight (g)	Percentage of Total Product Weight (%)	Material-Type Recycled Content (%)	Percentage PIR of total weight (%)	Percentage PCR of total weight (%)	Total Product Recyclable (g)	Total Product Recyclable (%)
Aluminium	10.4	1.5%	1.4%	0.7%	0.7%	10.4	1.5%
Steel	653.5	93.6%	12.2%	2.1%	10.1%	653.5	93.6%
Plastic	26.4	3.8%	0.0%	0.0%	0.0%	26.4	3.8%
Rubber	8.2	1.2%	0.0%	0.0%	0.0%	8.2	1.2%
Total	698.5	100.0%	13.6%	2.8%	10.8%	698.5	100.0%

PIR = Post Industrial Recycled
PCR = Post Consumer Recycled

Total Product Weight (%)



Total Product Recycled Content (%)



CLEANING, STORAGE & MAINTENANCE

Routine servicing

Periodic inspection

Service components

Available to order

Cleaning & Maintenance

Damp cloth, no abrasives, no solvents to be used on the cosmetic surfaces

Handling & Storage

Do not drop or expose to moisture

While every effort is made to ensure the accuracy of our technical information, Colebrook Bosson Saunders (Products) Ltd accept no liability for the accuracy of the information contained in this document and reserve the right to modify the specifications or data contained herein without prior notification.