



TECHNICAL SPECIFICATION SHEET

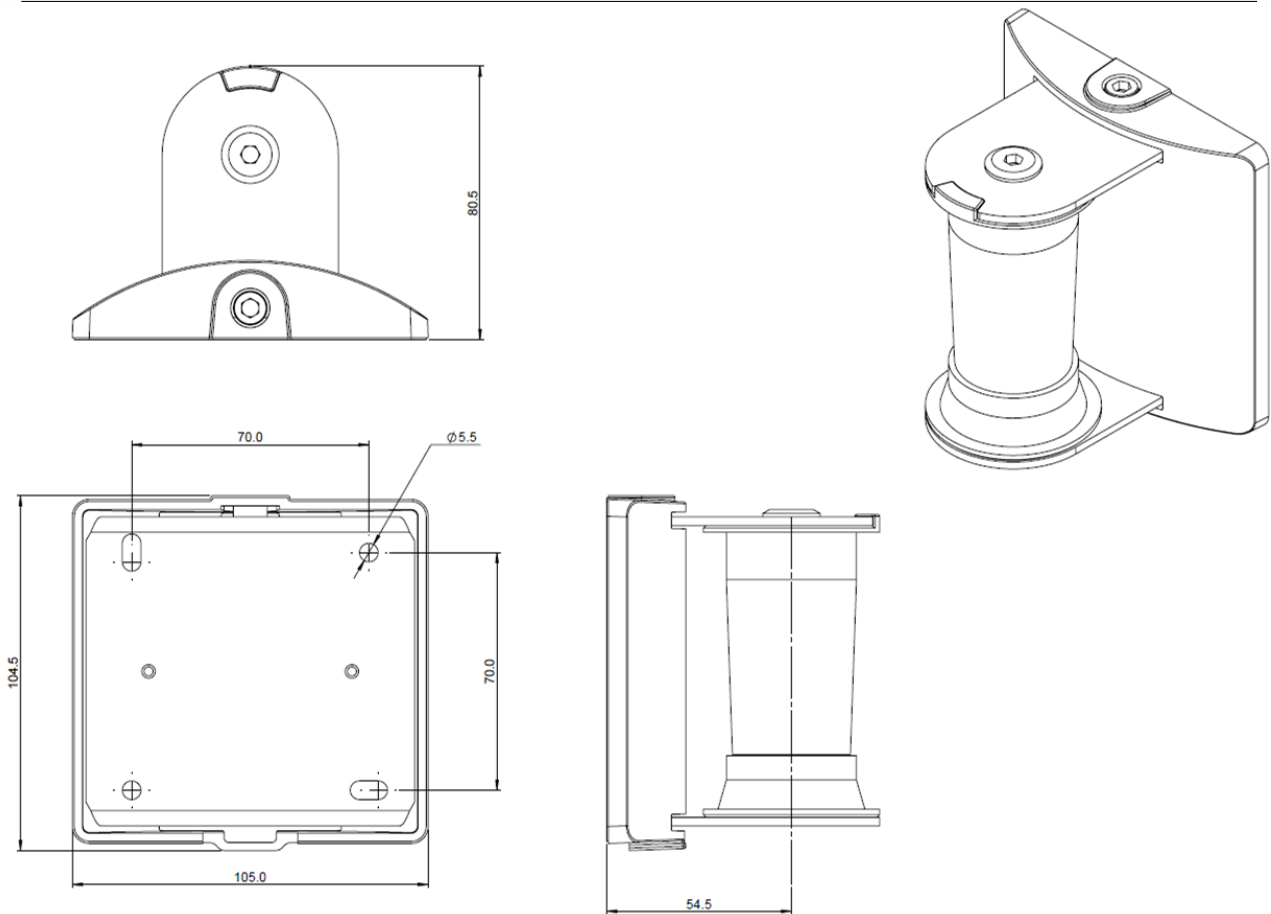
PRODUCT NAME: Universal Wall Mount

PRODUCT CODE: UNI/SWB/002

Doc Rev 2.

Product Rev #A

08.08.2016 CF



*Note wall fixings are not provided

*Note that dimensions provided are measured in mm

KEY FEATURES

- Universal wall mount bracket compatible with all CBS post mounted arms
- Quick and easy to mount to the wall
- Easy to install monitor arm to bracket
- Clean, elegant design

| | |
|---------------------------------|----------------------------|
| Product Classification | Brackets, Clamps & Fixings |
| Max load | N/A |
| Recycled content | 10% |
| Total product recyclable | 100% |

LOGISTICAL

| | |
|---------------------------------|--------------------|
| Box contains | Wall bracket |
| Product net weight: | 0.45 kg |
| Box dims (HxWxD) | 98 x 125 x 110 mm |
| Box gross weight | 0.55 kg |
| Carton quantity | 12 |
| Master dims (HxWxD) | 220 x 280 x 360 mm |
| Master weight | 7 kg |
| Country of origin | China |
| Country of configuration | UK |

ORDERING INFORMATION

| <u>Product Description</u> | <u>Product code</u> | <u>Colour</u> |
|-----------------------------------|----------------------------|----------------------|
| Universal Wall Mount | UNI/SWB/002 | :/S Silver |

WARRANTY

| | |
|----------------------|------------------|
| Warranty Term | Limited lifetime |
|----------------------|------------------|

COMPLIANCE & SAFETY CERTIFICATION

Whilst no mandatory standards apply to the monitor arm product sector, all Colebrook Bosson Saunders monitor arms have been designed with appropriate articulation features, dimensional range and adjustability to conform to the requirements of BS EN ISO 9241:5 1999 Ergonomic requirements for office work with visual display terminals (VDTs).

| | |
|----------------------------------|-----|
| Conformance certification | N/A |
| Test authority | CBS |
| Safety certification | N/A |

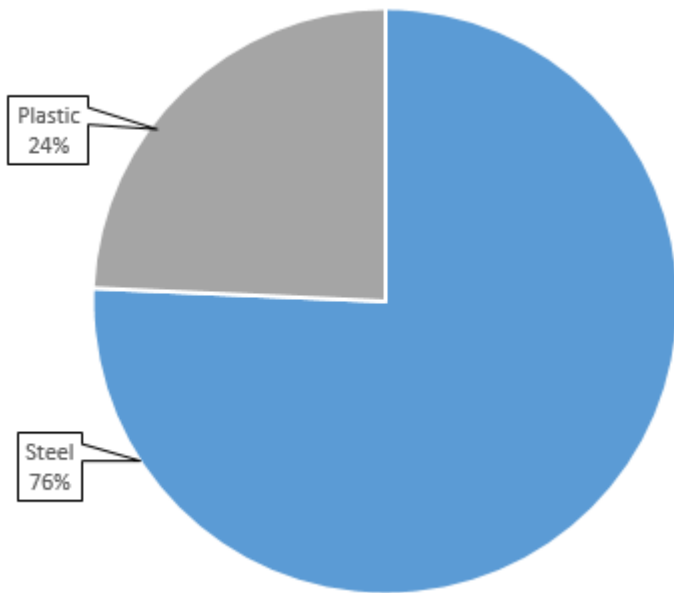
ENVIRONMENTAL

| Material Make-up | | | Total Recycled Content | Breakdown of Recycled Content | | Total Recyclable | |
|------------------|--------------------------------|--|------------------------------------|------------------------------------|------------------------------------|------------------------------|------------------------------|
| Overall Product | | | Overall Product | Overall Product | | Overall Product | |
| Material type | Total Material type weight (g) | Percentage of Total Product Weight (%) | Material-Type Recycled Content (%) | Percentage PIR of total weight (%) | Percentage PCR of total weight (%) | Total Product Recyclable (g) | Total Product Recyclable (%) |
| Steel | 343 | 76% | 10% | 2% | 8% | 343 | 76% |
| Plastic | 110 | 24% | 0% | 0% | 0% | 110 | 24% |
| Total | 453 | 100% | 10% | 2% | 8% | 453 | 100% |

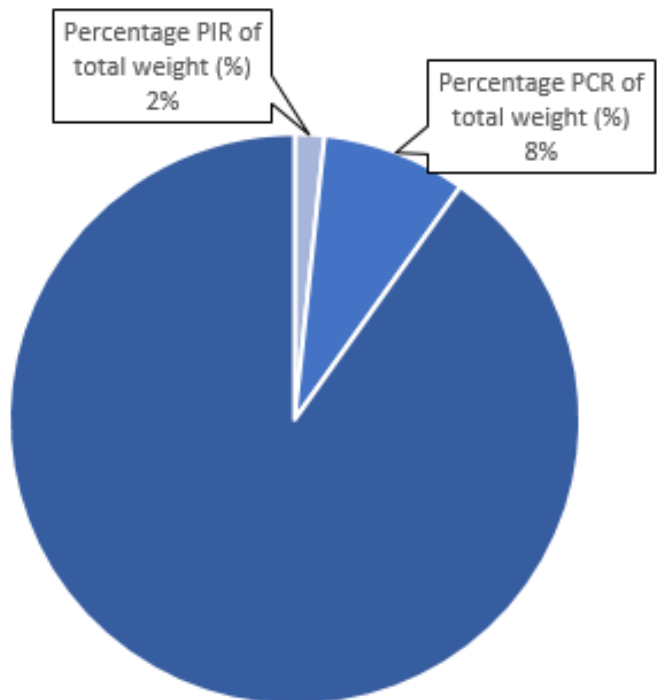
PIR = Post Industrial Recycled

PCR = Post Consumer Recycled

Total Product Weight (%)



Total Product Recycled Content (%)



CLEANING, STORAGE & MAINTENANCE

Routine servicing

Periodic inspection

Service components

Available to order

Cleaning & Maintenance

Damp cloth, no abrasives, no solvents to be used on the cosmetic surfaces

Handling & Storage

Do not drop or expose to moisture

While every effort is made to ensure the accuracy of our technical information, Colebrook Bosson Saunders (Products) Ltd accept no liability for the accuracy of the information contained in this document and reserve the right to modify the specifications or data contained herein without prior notification.