



TECHNICAL SPECIFICATION SHEET

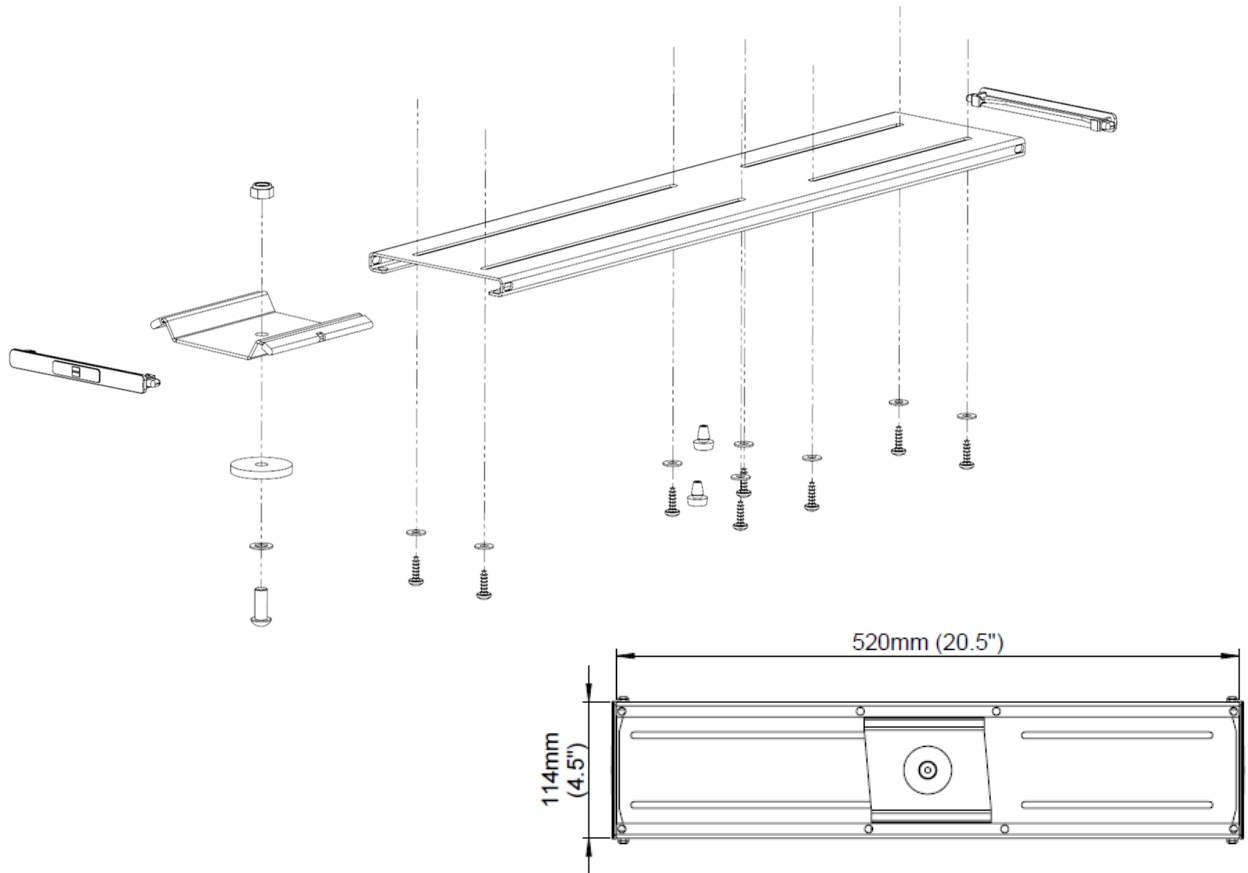
PRODUCT NAME: Universal Slide & Rotate Track 520mm

PRODUCT CODE: UNI/SR520

Doc Rev 2.

Product Rev #G

08.08.2016 CF



*Note that dimensions provided are measured in mm

KEY FEATURES

- Compatible with all CBS CPU holders
- Easy to install / quick product to mount
- Provides sliding function & 360° rotation

Product Classification	Clamps, Brackets & Fixings
Max load	25kg (55.1 lbs)
Recycled content	12.74%
Total product recyclable	100%

LOGISTICAL

Box contains	520mm track, fixings
Product net weight:	1.1 kg
Box dims (HxWxD)	530 x 125 x 24 mm
Box gross weight	1.3 kg
Carton quantity	20
Master dims (HxWxD)	545 x 265 x 260 mm
Master weight	27 kg
Country of origin	China
Country of configuration	UK

ORDERING INFORMATION

<u>Product Description</u>	<u>Product code</u>	<u>Colour</u>
Universal Slide & Rotate Track 520mm	UNI/SR3520	:/S Silver

WARRANTY

Warranty Term	Limited lifetime
----------------------	------------------

COMPLIANCE & SAFETY CERTIFICATION

Whilst no mandatory standards apply to the CPU Holder product sector, all Colebrook Bosson Saunders CPU Holders have been designed with appropriate articulation features, dimensional range and adjustability to conform to the requirements of BS EN ISO 9241:5 1999 Ergonomic requirements for office work with visual display terminals (VDTs).

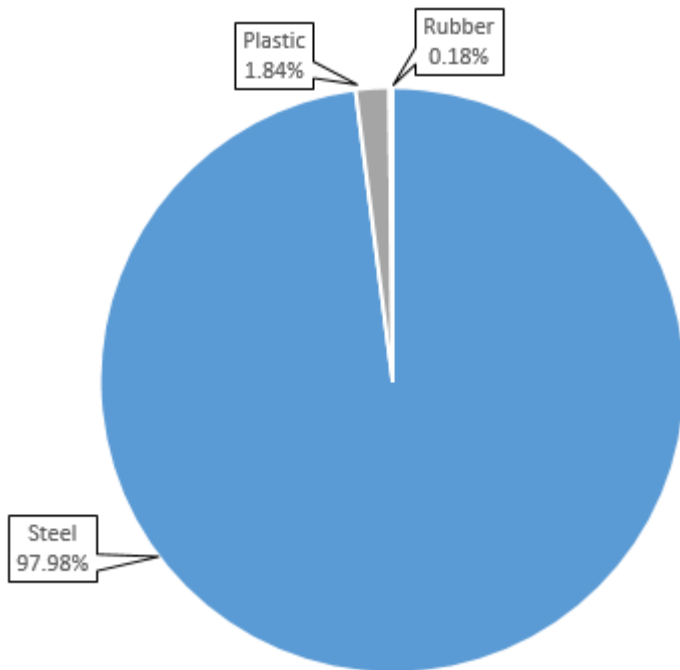
Conformance certification	N/A
Test authority	CBS
Safety certification	N/A

ENVIRONMENTAL

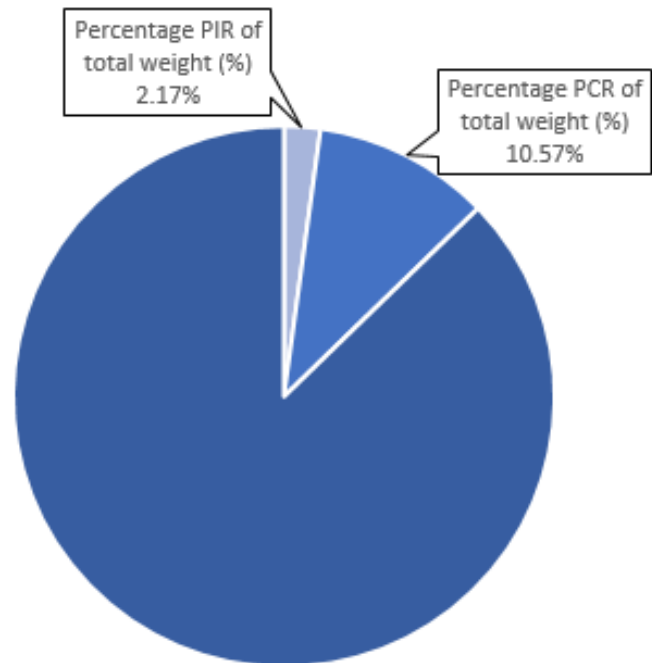
Material Make-up			Total Recycled Content	Breakdown of Recycled Content		Total Recyclable	
Overall Product			Overall Product			Overall Product	
Material type	Total Material type weight (g)	Percentage of Total Product Weight (%)	Material-Type Recycled Content (%)	Percentage PIR of total weight (%)	Percentage PCR of total weight (%)	Total Product Recyclable (g)	Total Product Recyclable (%)
Steel	1116	97.98%	12.74%	2.17%	10.57%	1116	97.98%
Plastic	21	1.84%	0.00%	0.00%	0.00%	21	1.84%
Rubber	2	0.18%	0.00%	0.00%	0.00%	2	0.18%
Total	1139	100.00%	12.74%	2.17%	10.57%	1139	100.00%

PIR = Post Industrial Recycled
PCR = Post Consumer Recycled

Total Product Weight (%)



Total Product Recycled Content (%)



CLEANING, STORAGE & MAINTENANCE

Routine servicing

Periodic inspection

Service components

Available to order

Cleaning & Maintenance

Damp cloth, no abrasives, no solvents to be used on the cosmetic surfaces

Handling & Storage

Do not drop or expose to moisture

While every effort is made to ensure the accuracy of our technical information, Colebrook Bosson Saunders (Products) Ltd accept no liability for the accuracy of the information contained in this document and reserve the right to modify the specifications or data contained herein without prior notification.