



TECHNICAL SPECIFICATION SHEET

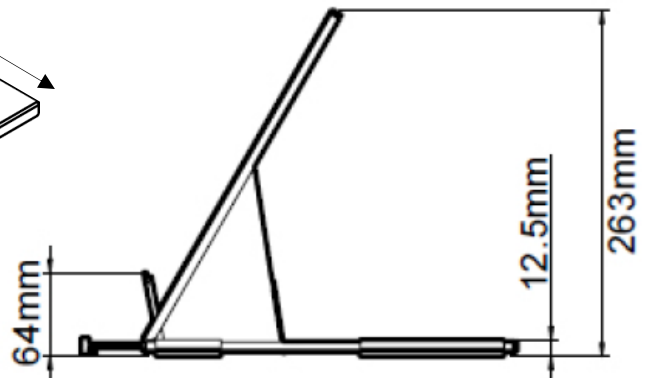
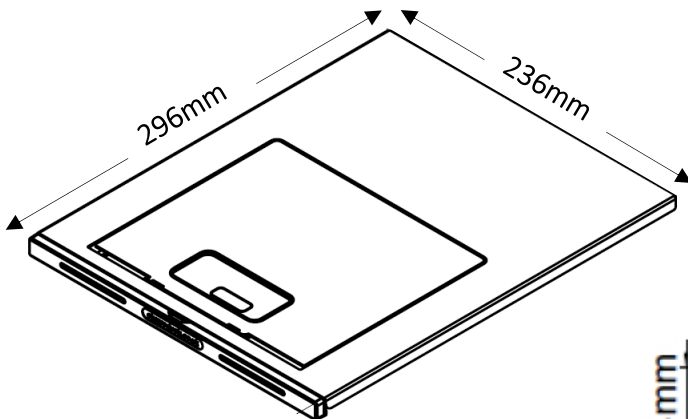
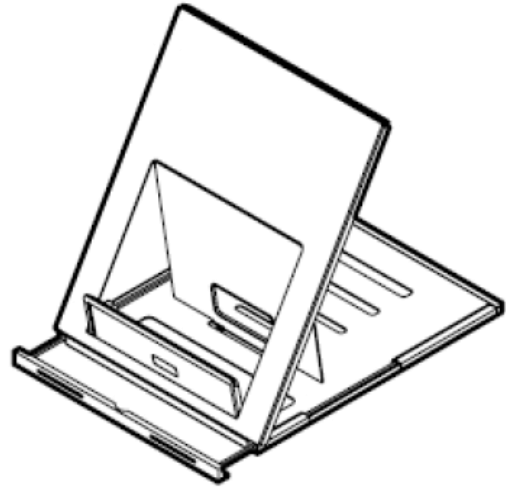
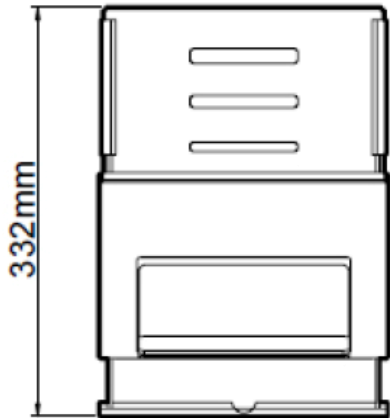
PRODUCT NAME: CBS Laptop Stand

PRODUCT CODE: LAP/012

Doc Rev 2.

Product Rev #A

03.08.2016 CF



*Note that dimensions provided are measured in mm

KEY FEATURES

- Allows laptop screen to be raised to the correct ergonomic position
- When used with an additional keyboard and mouse the stand corrects 'hunch' posture
- Fold down flat for easy storage in laptop bag or briefcase

Product Classification	Accessories
Max load	4kg (8.8 lbs)
Recycled content	65.3%
Total product recyclable	100%

LOGISTICAL

Box contains	Laptop Stand
Product net weight:	0.36 kg
Box dims (HxWxD)	20 x 243 x 302 mm
Box gross weight	0.48 kg
Carton quantity	12
Master dims (HxWxD)	257 x 268 x 314 mm
Master weight	5.8 kg
Country of origin	China
Country of configuration	UK

ORDERING INFORMATION

<u>Product Description</u>	<u>Product code</u>	<u>Colour</u>
CBS Laptop Stand	LAP/012	:/S Silver

WARRANTY

Warranty Term	Limited lifetime
----------------------	------------------

COMPLIANCE & SAFETY CERTIFICATION

Whilst no mandatory standards apply to the monitor arm product sector, all Colebrook Bosson Saunders monitor arms have been designed with appropriate articulation features, dimensional range and adjustability to conform to the requirements of BS EN ISO 9241:5 1999 Ergonomic requirements for office work with visual display terminals (VDTs).

Conformance certification	N/A
Test authority	CBS
Safety certification	N/A

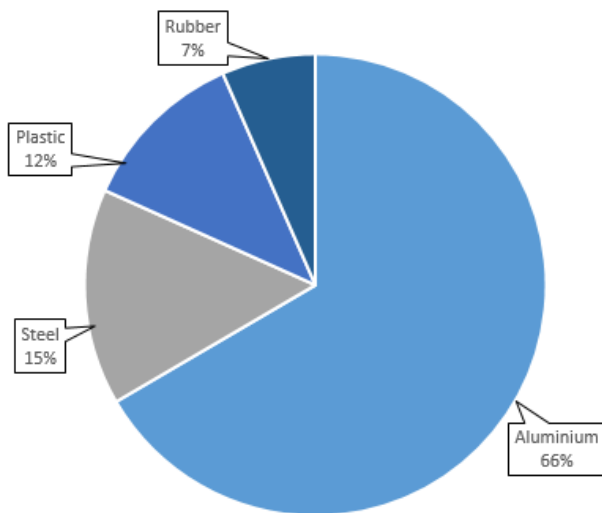
ENVIRONMENTAL

Material Make-up			Total Recycled Content	Breakdown of Recycled Content		Total Recyclable	
Overall Product			Overall Product			Overall Product	
Material type	Total Material type weight (g)	Percentage of Total Product Weight (%)	Material-Type Recycled Content (%)	Percentage PIR of total weight (%)	Percentage PCR of total weight (%)	Total Product Recyclable (g)	Total Product Recyclable (%)
Aluminium	234	66%	63.3%	33.6%	29.8%	234	66%
Steel	53	15%	2.0%	0.3%	1.6%	53	15%
Plastic	41	12%	0.0%	0.0%	0.0%	41	12%
Rubber	23	7%	0.0%	0.0%	0.0%	23	7%
Total	351	100%	65.3%	33.9%	31.4%	351	100%

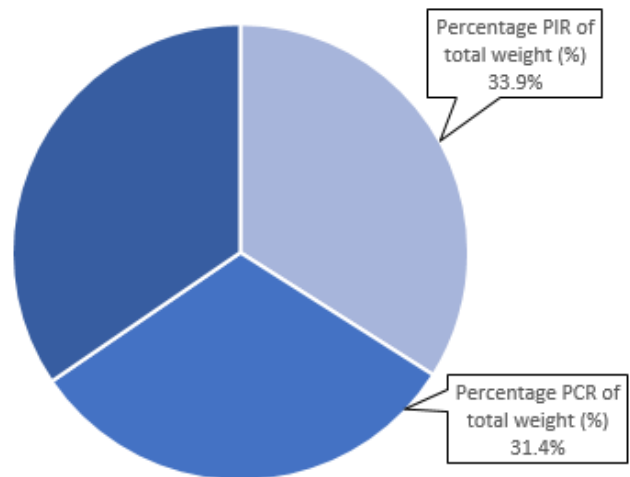
PIR = Post Industrial Recycled

PCR = Post Consumer Recycled

Total Product Weight (%)



Total Product Recycled Content (%)



CLEANING, STORAGE & MAINTENANCE

Routine servicing

Periodic inspection

Service components

Available to order

Cleaning & Maintenance

Damp cloth, no abrasives, no solvents to be used on the cosmetic surfaces

Handling & Storage

Do not drop or expose to moisture

While every effort is made to ensure the accuracy of our technical information, Colebrook Bosson Saunders (Products) Ltd accept no liability for the accuracy of the information contained in this document and reserve the right to modify the specifications or data contained herein without prior notification.