



TECHNICAL SPECIFICATION SHEET

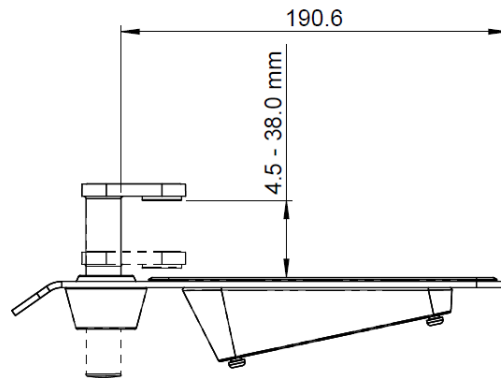
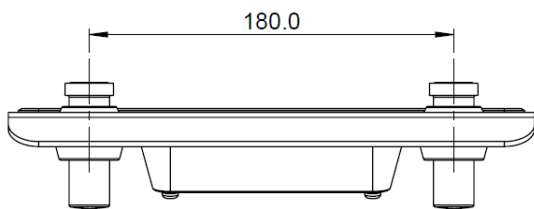
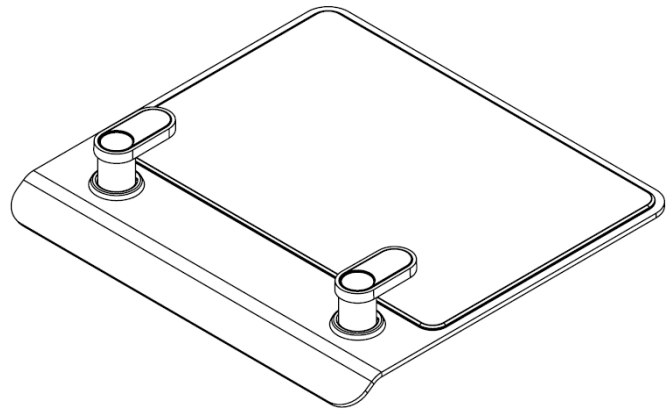
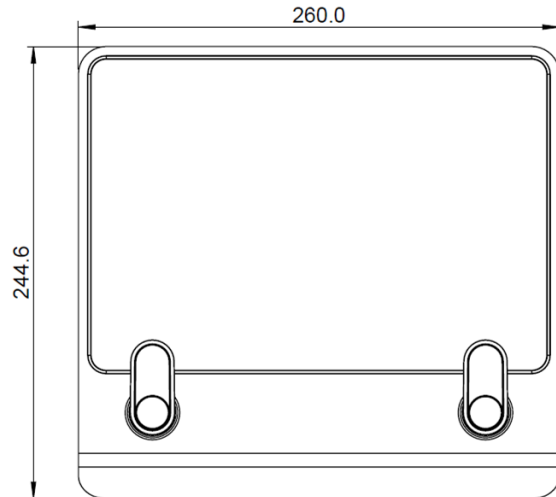
PRODUCT NAME: Laptop Mount

PRODUCT CODE: LAP/001

Doc Rev 2.

Product Rev #A

03.08.2016 CF



*Note that dimensions provided are measured in mm

KEY FEATURES

- Easy to use / install laptop mount solution
- When mounted to a CBS monitor arm, the angle can be manipulated to suit individual user requirements
- Adjustable retaining arms to allow for different laptop thicknesses (4.5 to 38mm)
- Can be mounted to any vesa plate or CBS quick release

Product Classification	Accessories
Max load	5 kg
Recycled content	11%
Total product recyclable	100%

LOGISTICAL

Box contains	Laptop mount, rotation limiters, fixing screws
Product net weight:	1.7 kg
Box dims (HxWxD)	290 x 310 x 75 mm
Box gross weight	2.5 kg
Carton quantity	6
Master dims (HxWxD)	305 x 480 x 330 mm
Master weight	15.53 kg
Country of origin	China
Country of configuration	UK

ORDERING INFORMATION

<u>Product Description</u>	<u>Product code</u>	<u>Colour</u>
Laptop Mount	LAP/001	:/S Silver or :/W White

WARRANTY

Warranty Term	Limited lifetime
----------------------	------------------

COMPLIANCE & SAFETY CERTIFICATION

Whilst no mandatory standards apply to the monitor arm product sector, all Colebrook Bosson Saunders monitor arms have been designed with appropriate articulation features, dimensional range and adjustability to conform to the requirements of BS EN ISO 9241:5 1999 Ergonomic requirements for office work with visual display terminals (VDTs).

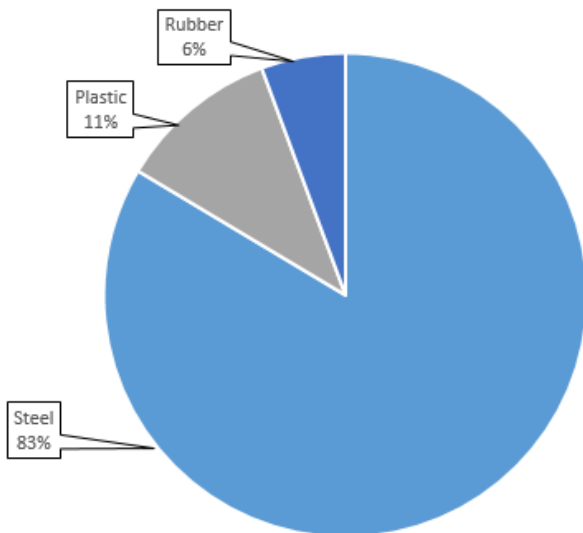
Conformance certification	N/A
Test authority	CBS
Safety certification	N/A

ENVIRONMENTAL

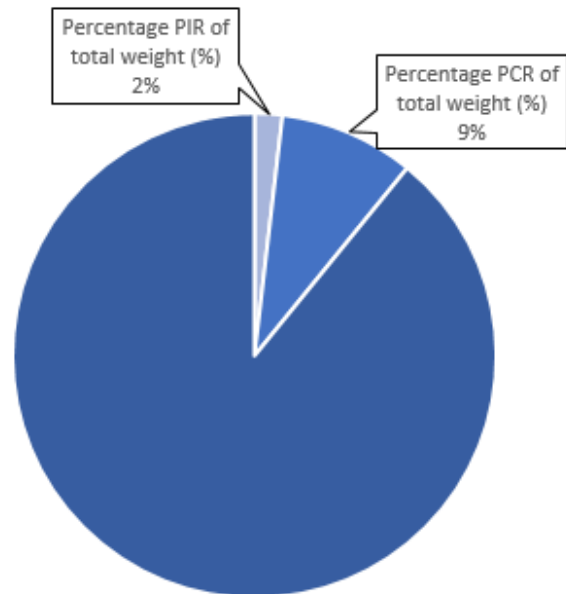
Material Make-up			Total Recycled Content	Breakdown of Recycled Content		Total Recyclable	
Overall Product			Overall Product	Overall Product		Overall Product	
Material type	Total Material type weight (g)	Percentage of Total Product Weight (%)	Material-Type Recycled Content (%)	Percentage PIR of total weight (%)	Percentage PCR of total weight (%)	Total Product Recyclable (g)	Total Product Recyclable (%)
Steel	1366	83%	11%	2%	9%	1366	83%
Plastic	176	11%	0%	0%	0%	176	11%
Rubber	92	6%	0%	0%	0%	92	6%
Total	1634	100%	11%	2%	9%	1634	100%

PIR = Post Industrial Recycled
PCR = Post Consumer Recycled

Total Product Weight (%)



Total Product Recycled Content (%)



CLEANING, STORAGE & MAINTENANCE

Routine servicing

Periodic inspection

Service components

Available to order

Cleaning & Maintenance

Damp cloth, no abrasives, no solvents to be used on the cosmetic surfaces

Handling & Storage

Do not drop or expose to moisture

While every effort is made to ensure the accuracy of our technical information, Colebrook Bosson Saunders (Products) Ltd accept no liability for the accuracy of the information contained in this document and reserve the right to modify the specifications or data contained herein without prior notification.